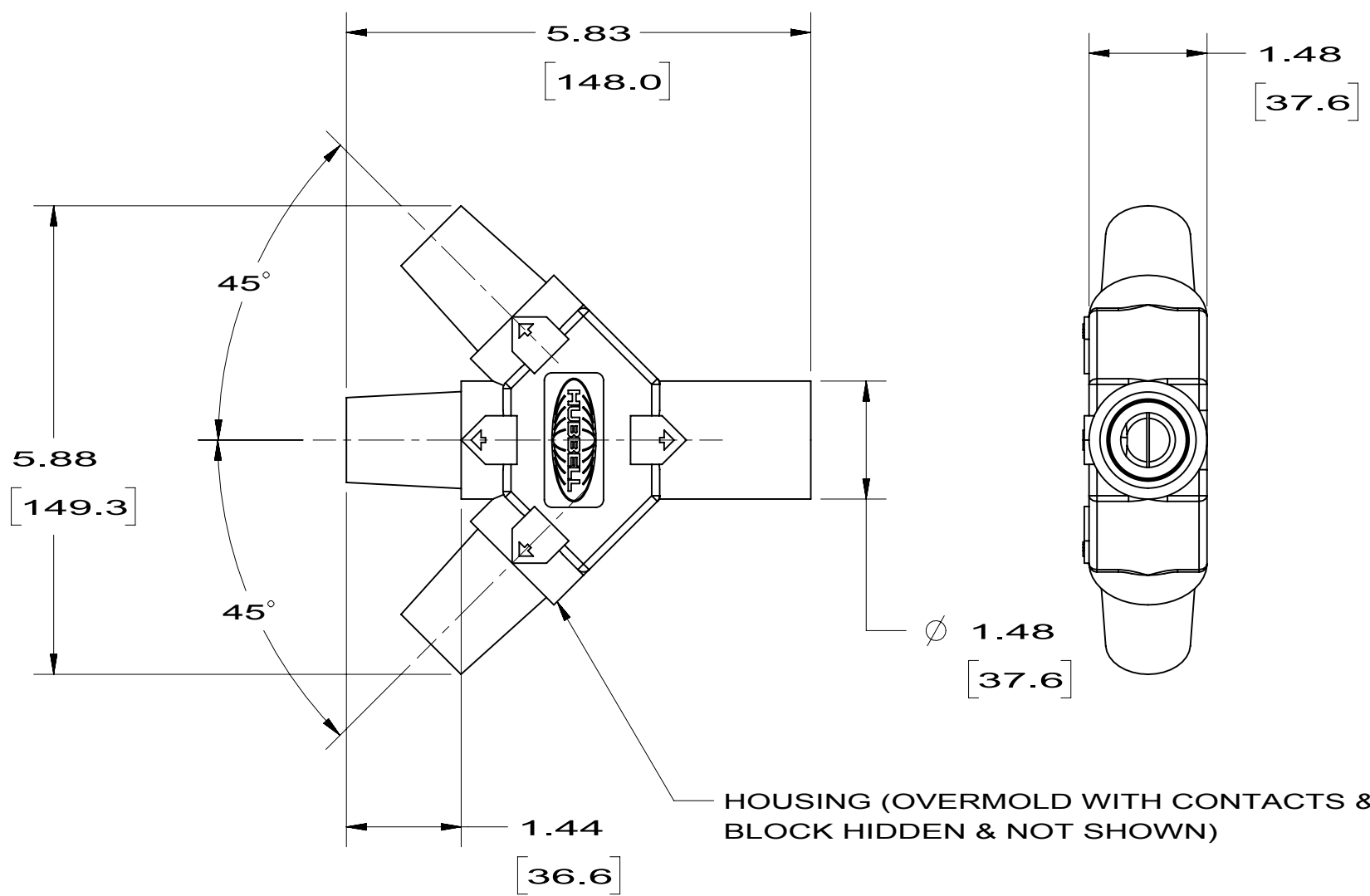
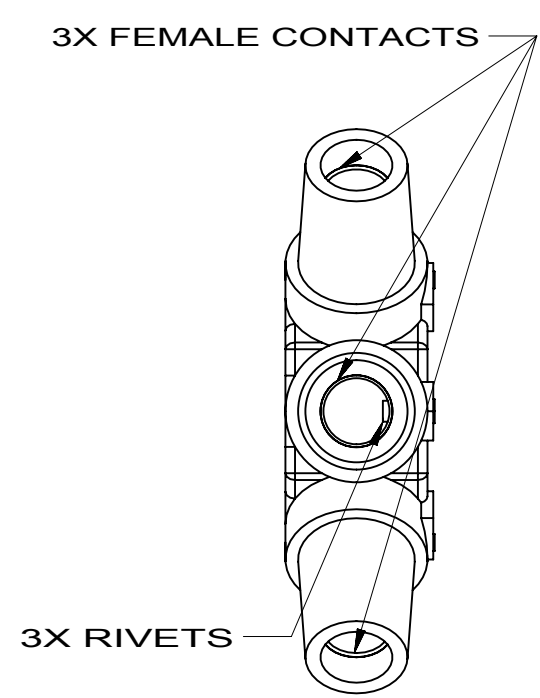


M-8936 4



HOUSING (OVERMOLD WITH CONTACTS & BLOCK HIDDEN & NOT SHOWN)

- NOTES:
1. DIMENSIONS ARE INCHES $\pm .02$
[mm] $\pm .5$
 2. RATING: 600V 400 AMP
 3. UL/c-UL ENCLOSURE TYPES 3R, 4X, 12,
SEE INSTRUCTION SHEET

HUBBELL CAT. NO.	COLOR
HBLM3FBK	BLACK
HBLM3FW	WHITE
HBLM3FGN	GREEN
HBLM3FR	RED
HBLM3FBL	BLUE
HBLM3FO	ORANGE
HBLM3FBN	BROWN
HBLM3FY	YELLOW

LIST OF PARTS		
DESCRIPTION	MATERIAL	FINISH
HOUSING	TPE	SEE TABLE
FEMALE CONTACT	BRASS	
RIVET	BRASS	
MALE CONTACT	BRASS	
BLOCK	BRASS	

SYM	REVISIONS	APP	DATE
4	REVISED NOTE 2 FROM 600VAC/250VDC TO 600V PER DCN 23410 RGP	RGP	11/01/17
3	UL FILE REVIEW PER UL1691 CHANGE DIM. FROM 5.78 TO 5.83. CHANGED MARKINGS PER DCN 20659 CAC	CAC	08/15/14
2	REMOVE ϕ 1.06 [27.0] & ϕ 1.22 [30.9] ADD $\pm .02$ & $\pm .5$ TO NOTE 1 CHANGED NOTE 3 PER DCN 11484 TwB	TWB	12/15/04
1	RELEASED PER DCN 10992 MJM	TWB	6/25/03

THE DESIGN AND DIMENSIONS OF THE PRODUCT SHOWN ON THIS DRAWING ARE SUBJECT TO CHANGE WITHOUT NOTICE

TITLE
SINGLE POLE TRI-TAP MALE/
FEMALE/FEMALE/FEMALE

TOLERANCES UNLESS OTHERWISE SPECIFIED FRACTIONS $\pm 1/64$ DECIMALS $\pm .005$ ANGLES $\pm 2^\circ$	WIRING DEVICE-KELLEMS HUBBELL INCORPORATED BRIDGEPORT, CT	
	DR. BY MJM	APP. BY TWB
	TR. BY	SCALE 1/2
	CHK'D BY TWB	DATE 6/11/03

DIMENSION SHEET FOR CAT. NO. M-8936
 REPAIRABLE NON-REPAIRABLE
 B
 M-8936
 4