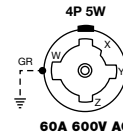
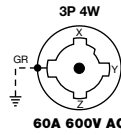


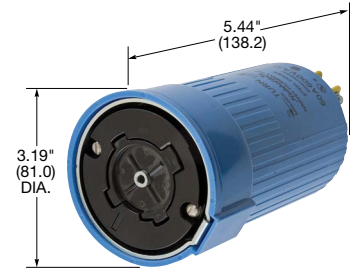
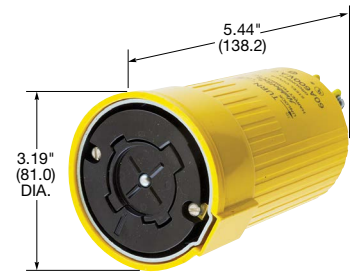
60 Amp, 600 Volts AC

IP30
SUITABILITY



Connector Bodies

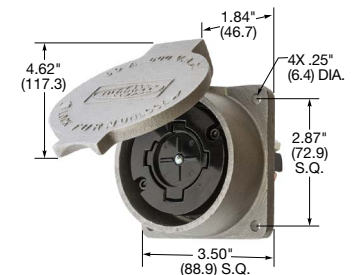
Description	Cord Dia.	Catalog Number	
Black phenolic interior with yellow thermoplastic sleeve over steel cover.	.920"-1.450" (23.36-36.83)	HBL26418	-
Black phenolic interior with blue thermoplastic sleeve over steel cover.	1.00"-1.50" (25.40-38.10)	-	HBL26516



IP44
SUITABILITY

Receptacles

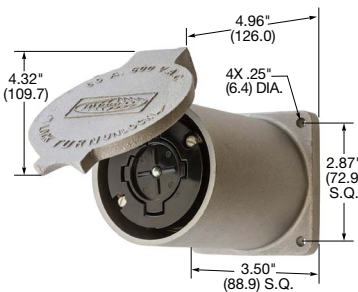
Description	Catalog Number	
Black phenolic interior with short aluminum housing and lift cover.	HBL26410	-
Black phenolic interior with long aluminum housing and lift cover.	HBL26420	-
Black phenolic interior with long aluminum housing with lift cover and blue finish.	-	HBL26520



IP30
SUITABILITY

Flanged Receptacles

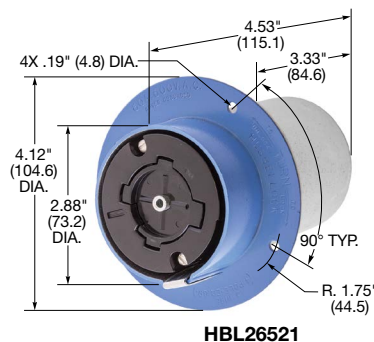
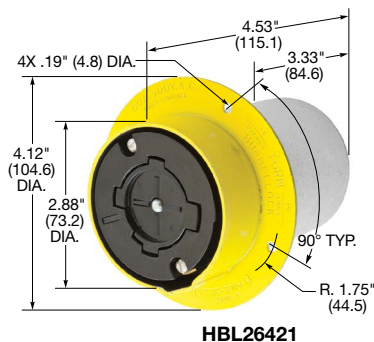
Description	Catalog Number	
Black phenolic interior with steel housing and flange.	HBL26421	-
Black phenolic interior with steel housing and flange with blue finish.	-	HBL26521



Receptacle Box and Adapter Plates (Box requires one adapter)

Description	Catalog Number
Box, cast aluminum, only for 60A Hubbell receptacles.	HBL26401
Straight adapter plate.	HBL26402
45° adapter plate.	HBL26404

Note: Straight or angle adapter plate must be used when mounting a 60A receptacle to HBL26401 box. Cannot be used with round flanged receptacles and inlets. See page B-68 for additional information.



Dimensions in Inches (mm)