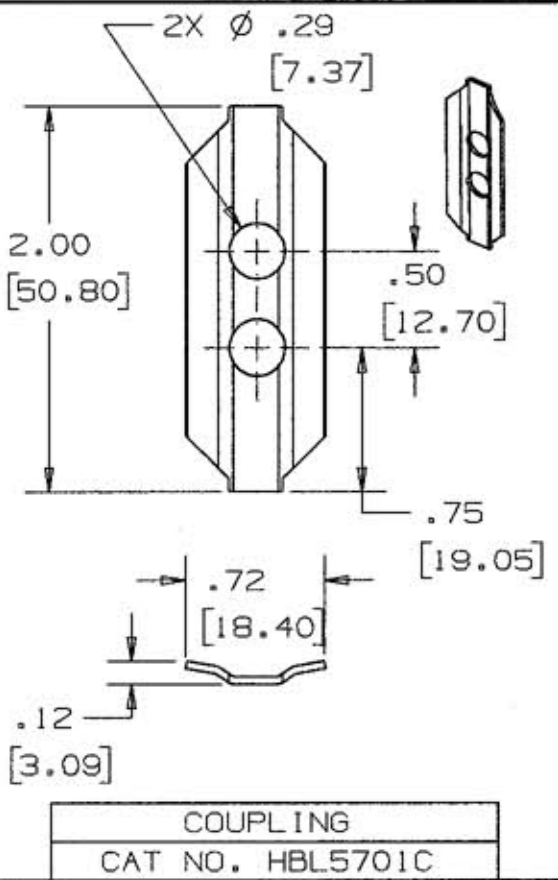
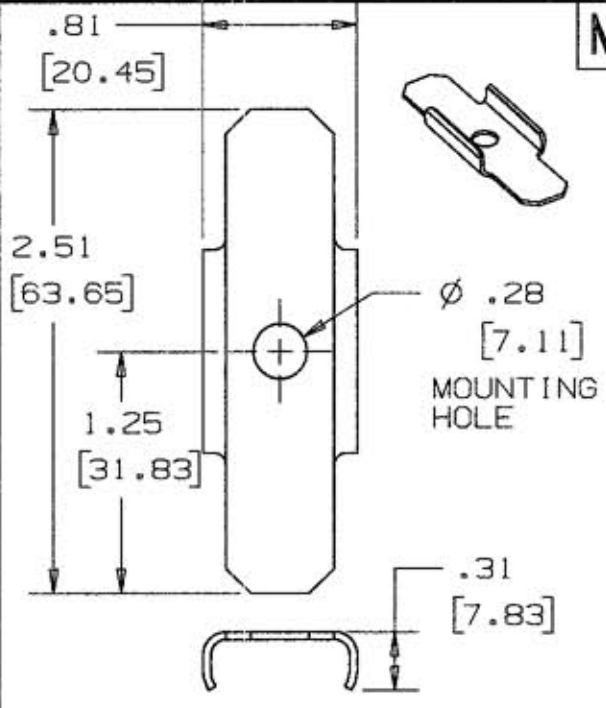


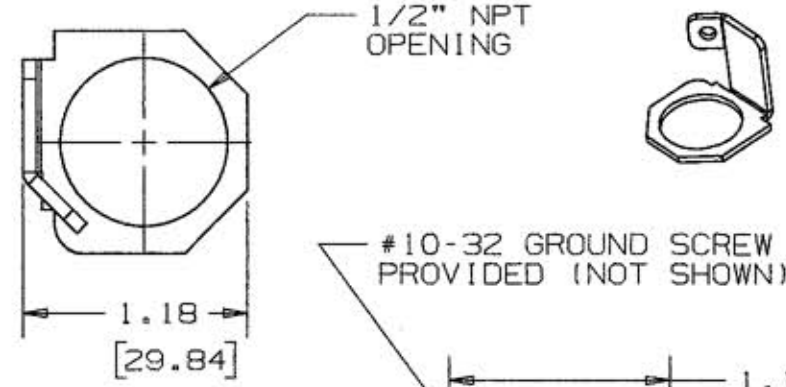
M-10367 2



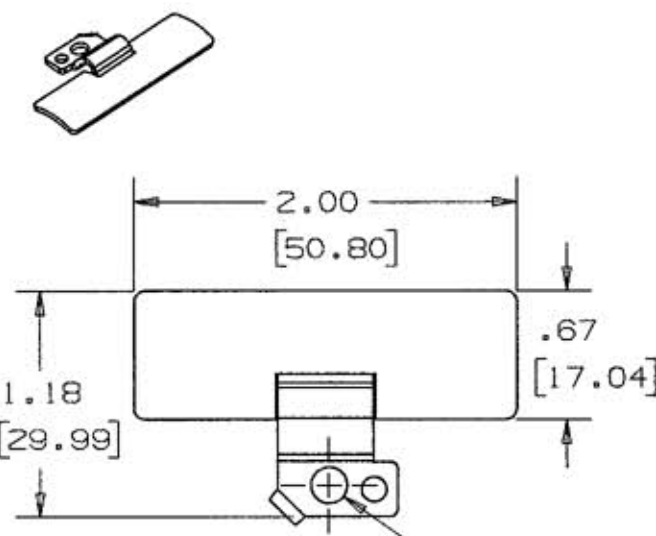
COUPLING
CAT NO. HBL5701C



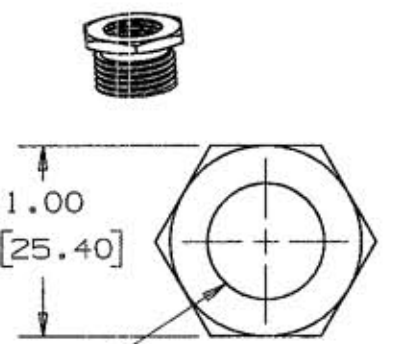
SUPPORT CLIP
CAT. NO. HBL5703IV COLOR IVORY
HBL5703W WHITE



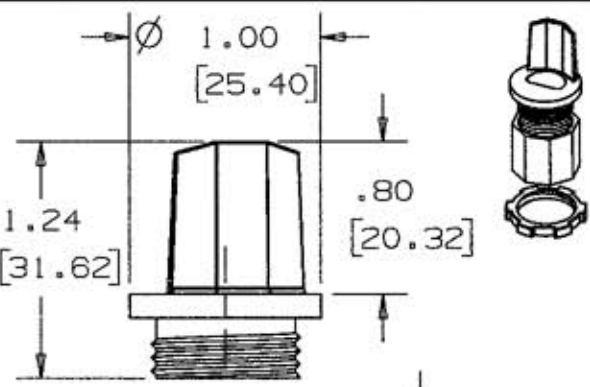
GROUND CONNECTOR
CAT. NO. HBL5709GC



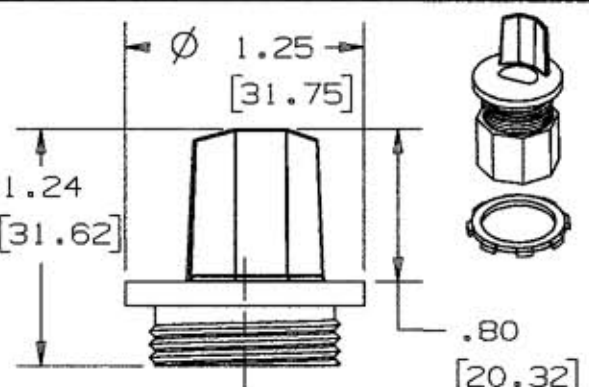
GROUND CLAMP
CAT. NO. HBL5709



SPECIAL NIPPLE
CAT. NO. HBL5780
PROVIDED WITH 1/2\"/>



1/2\"/>



3/4\"/>

LIST OF PARTS		
DESCRIPTION	MATERIAL	FINISH
COUPLING	STEEL	GALVANIZED
SUPPORT CLIP	STEEL	PAINTED
GROUND CONNECTOR	STEEL	GALVANIZED
GROUND CLAMP	STEEL	GALVANIZED
SPECIAL NIPPLE	STEEL	GALVANIZED
BOX CONNECTOR	CAST	GALVANIZED

REV	DESCRIPTION	APP	DATE
2	ADDED "HBL5703W" TO SUPPORT CLIP TABLE PER DCN 13745 RCM	DJP	2/27/06
1	RELEASED PER DCN 13536	SRE	11/13/06

2	ADDED "HBL5703W" TO SUPPORT CLIP TABLE PER DCN 13745 RCM	DJP	2/27/06
1	RELEASED PER DCN 13536	SRE	11/13/06

THE DESIGN AND DIMENSIONS OF THE PRODUCT SHOWN ON THIS DRAWING ARE SUBJECT TO CHANGE WITHOUT NOTICE

TITLE
METAL RACEWAY
MISC. PARTS
HBL500/HBL750 SERIES

TOLERANCES UNLESS OTHERWISE SPECIFIED	WIRING DEVICE-KELLEMS HUBBELL INCORPORATED BRIDGEPORT, CT	
FRACTIONS ± 1/64	DR. BY SRE	APP. BY SRE
DECIMALS ± .005	TR. BY	SCALE 1:1
ANGLES ± 2°	CHK'D BY SRE	DATE 11/13/06

NOTE: ALL DIMENSIONS IN INCHES AND [MM]

CODE 74545

DIMENSION SHEET FOR CAT. NO. M-10367
 REPAIRABLE NON-REPAIRABLE