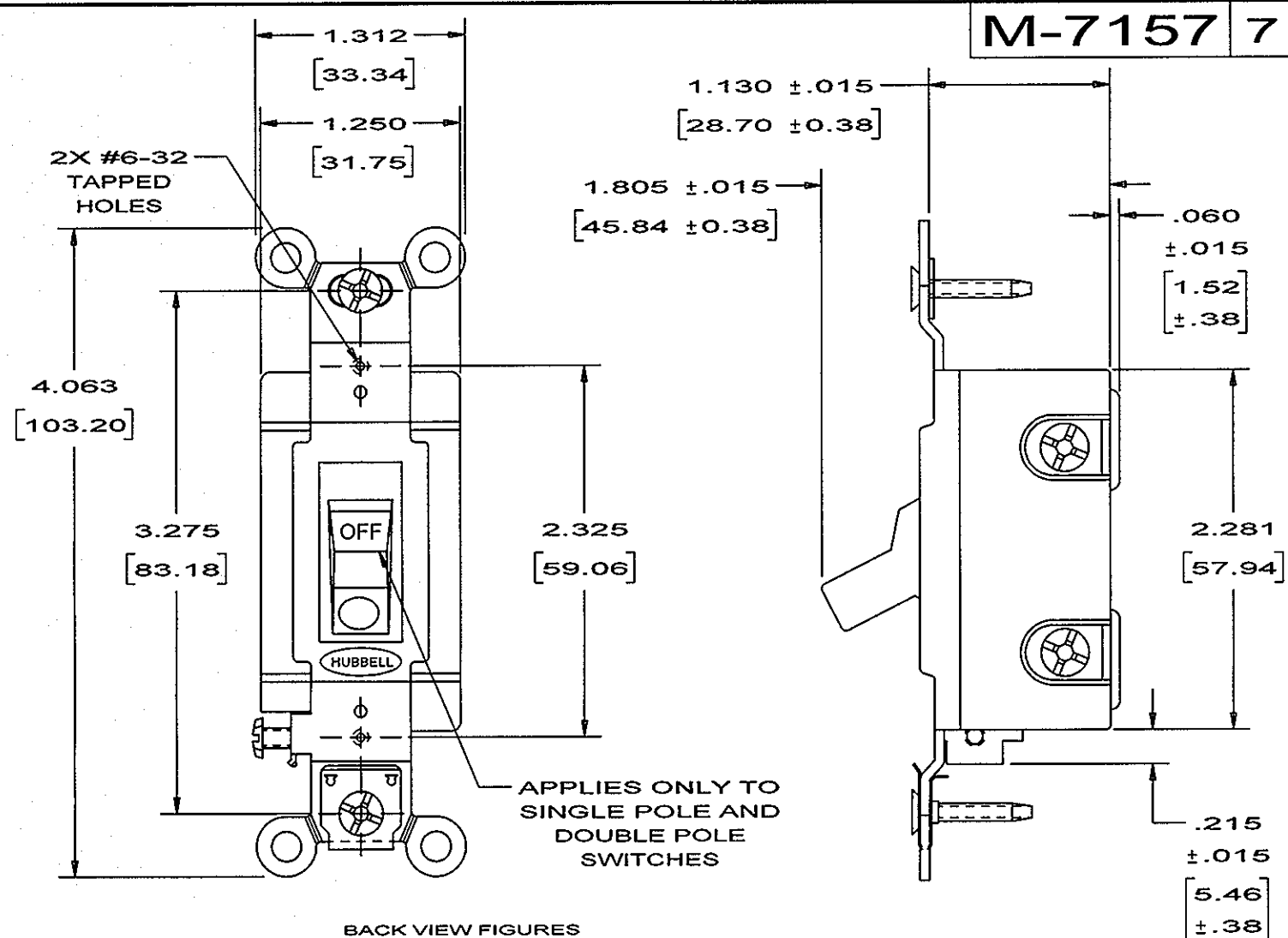
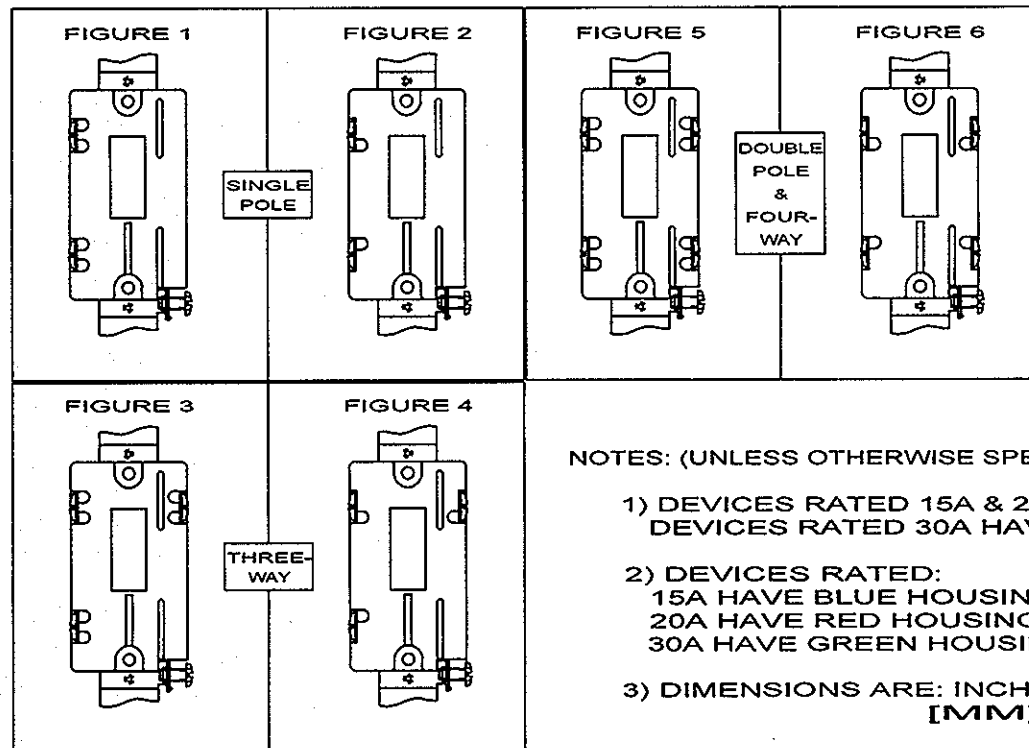


M-7157 7



BACK VIEW FIGURES



NOTES: (UNLESS OTHERWISE SPECIFIED)

1) DEVICES RATED 15A & 20A HAVE PLAIN BRASS FINISH; DEVICES RATED 30A HAVE TIN PLATED FINISH.

2) DEVICES RATED:
15A HAVE BLUE HOUSING
20A HAVE RED HOUSING
30A HAVE GREEN HOUSING

3) DIMENSIONS ARE: INCHES [MM]

CODE 74545

CATALOG NO.	TOGGLE COLOR	RATING/TYPE	BACK VIEW FIGURE	LIST OF PARTS		
				DESCRIPTION	MATERIAL	FINISH
HBL1201	BROWN	15A 120-277VAC S.P.	1	HOUSING	UREA	
HBL1201BK	BLACK	15A 120-277VAC S.P.	1	COVER	UREA	
HBL1201GY	GRAY	15A 120-277VAC S.P.	1	TOGGLE	NYLON	
HBL1201I	IVORY	15A 120-277VAC S.P.	1	STATIONARY TERMINAL	.031 BRASS	NOTE 1
HBL1201R	RED	15A 120-277VAC S.P.	1	SPRING ARM TERMINAL	.031 BRASS	NOTE 1
HBL1201W	WHITE	15A 120-277VAC S.P.	1	WIRE CLAMP	.060 STEEL	TIN PLATE
HBL1202	BROWN	15A 120-277VAC D.P.	5	BRIDGE	.050 STEEL	NICKEL PLATE
HBL1202I	IVORY	15A 120-277VAC D.P.	5	CONTACTS	SILVER/CADMIUM OXIDE	
HBL1203	BROWN	15A 120-277VAC 3W	3	BINDING SCREWS	BRASS	
HBL1203BK	BLACK	15A 120-277VAC 3W	3	MOUNTING SCREWS	STEEL	ZINC PLATE
HBL1203GY	GRAY	15A 120-277VAC 3W	3			
HBL1203I	IVORY	15A 120-277VAC 3W	3			
HBL1204	BROWN	15A 120-277VAC 4W	5			
HBL1204BK	BLACK	15A 120-277VAC 4W	5			
HBL1204GY	GRAY	15A 120-277VAC 4W	5			
HBL1204I	IVORY	15A 120-277VAC 4W	5			
HBL1221	BROWN	20A 120-277VAC S.P.	1			
HBL1221BK	BLACK	20A 120-277VAC S.P.	1			
HBL1221GY	GRAY	20A 120-277VAC S.P.	1			
HBL1221I	IVORY	20A 120-277VAC S.P.	1			
HBL1221R	RED	20A 120-277VAC S.P.	1			
HBL1221W	WHITE	20A 120-277VAC S.P.	1			
HBL1221OW	OFFICE WHITE	20A 120-277VAC S.P.	1			
HBL1222	BROWN	20A 120-277VAC D.P.	5			
HBL1222GY	GRAY	20A 120-277VAC D.P.	5			
HBL1222I	IVORY	20A 120-277VAC D.P.	5			
HBL1222R	RED	20A 120-277VAC D.P.	5			
HBL1222W	WHITE	20A 120-277VAC D.P.	5			
HBL1222OW	OFFICE WHITE	20A 120-277VAC D.P.	5			
HBL1222AL	ALMOND	20A 120-277VAC D.P.	5			
HBL1222LA	LT. ALMOND	20A 120-277VAC D.P.	5			
HBL1223	BROWN	20A 120-277VAC 3W	3			
HBL1223BK	BLACK	20A 120-277VAC 3W	3			
HBL1223GY	GRAY	20A 120-277VAC 3W	3			
HBL1223I	IVORY	20A 120-277VAC 3W	3			
HBL1223R	RED	20A 120-277VAC 3W	3			
HBL1223W	WHITE	20A 120-277VAC 3W	3			
HBL1223OW	OFFICE WHITE	20A 120-277VAC 3W	3			
HBL1223LA	LT. ALMOND	20A 120-277VAC 3W	3			
HBL1224	BROWN	20A 120-277VAC 4W	5			
HBL1224BK	BLACK	20A 120-277VAC 4W	5			
HBL1224GY	GRAY	20A 120-277VAC 4W	5			
HBL1224I	IVORY	20A 120-277VAC 4W	5			
HBL1224R	RED	20A 120-277VAC 4W	5			
HBL1224W	WHITE	20A 120-277VAC 4W	5			
HBL1224OW	OFFICE WHITE	20A 120-277VAC 4W	5			
HBL1224LA	LT. ALMOND	20A 120-277VAC 4W	5			
HBL3031	BROWN	30A 120-277VAC S.P.	2			
HBL3031I	IVORY	30A 120-277VAC S.P.	2			
HBL3032	BROWN	30A 120-277VAC D.P.	6			
HBL3032I	IVORY	30A 120-277VAC D.P.	6			
HBL3032W	WHITE	30A 120-277VAC D.P.	6			
HBL3033	BROWN	30A 120-277VAC 3W	4			
HBL3033I	IVORY	30A 120-277VAC 3W	4			

REV	DESCRIPTION	APP	DATE
7	ADDED CAT. HBL1201BK TO TABLE. PER DCN 21905 JZW	PJB	2/3/16
6	ADDED CATALOG NOS. HBL1203BK, HBL1204BK, HBL1222AL, HBL1222LA, HBL1222OW & HBL1224LA AND SPECS. TO TABLE PER DCN 20354 DDL	TFH	03/05/14
5	ADDED CAT. HBL1223 LA TO TABLE. PER DCN# 19766. MJZ, PJB	MJZ	4/10/13
4	ADDED CAT. HBL3032W TO TABLE. PER DCN 17810 SPN	DJP	7/6/11
3	ADDED CAT. NO.'S HBL1221OW, HBL1223OW, & HBL1224OW TO TABLE. ADDED NOTE 3 AND DUAL DIMENSIONING PER DCN #13355. JMN	DJP	12/1/06
2	CONVERTED ALL DIMS TO 3 PL DECIMAL, ADDED TOL & NOTE 2 CHGD SCREWS TO TRI-DRIVE PER DCN #7793. AMZ	DB	7/27/00
1	"X" REMOVED; LAST X-REVISION WAS X-0 PER DCN # 2123. JMN	CJC	8/25/93
SYM	REVISIONS	APP	DATE

THE DESIGN AND DIMENSIONS OF THE PRODUCT SHOWN ON THIS DRAWING ARE SUBJECT TO CHANGE WITHOUT NOTICE	
TITLE FLUSH A.C. TOGGLE SWITCH	
TOLERANCES UNLESS OTHERWISE SPECIFIED	WIRING DEVICE-KELLEMS HUBBELL INCORPORATED SHELTON, CT
.XX = ± .01	DR. BY JMN APP. BY CJC
.XXX = ± .005	TR. BY SCALE
ANGLES = ± 2'	CHK. BY DATE 8/25/93

DIMENSION SHEET FOR CAT. NO. M-7157
 REPAIRABLE NON-REPAIRABLE