



## Features and Benefits

### Arc Fault AFCI Receptacles

- Meets new 2017 National Electric Code for AFCI Protection
- Qualified to Federal Specification Listing WC596
- Meets or exceeds UL requirements for tripping time on series and parallel arcs
- Tamper-Resistant and self grounding construction are standard features
- Green power ON LED indicator
- Automatically tests the AFCI each time the reset button is pressed in place
- No reset when tested if AFCI functionality is compromised



### Arc Fault AFCI Receptacles



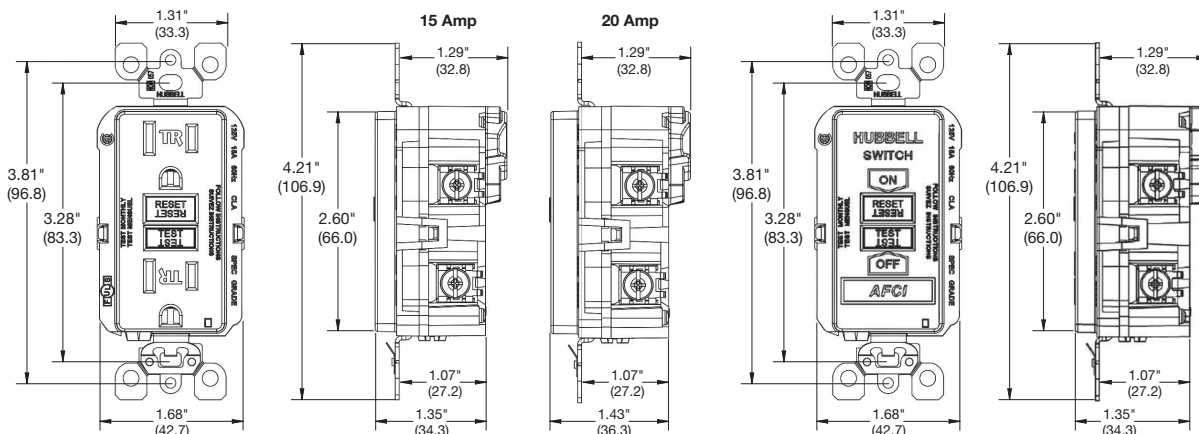
Rating	Color	Standard	Rating	Color	Standard	Blank Face
	Black	<b>AFR15TRBK</b>		Black	<b>AFR20TRBK</b>	—
	Brown	<b>AFR15TR</b>		Brown	<b>AFR20TR</b>	—
	Gray	<b>AFR15TRGY</b>		Gray	<b>AFR20TRGY</b>	—
	Ivory	<b>AFR15TRI</b>		Ivory	<b>AFR20TRI</b>	<b>AFR20BFI</b>
	Light Almond	<b>AFR15TRLA</b>		Light Almond	<b>AFR20TRLA</b>	<b>AFR20BFW</b>
White	<b>AFR15TRW</b>	White	<b>AFR20TRW</b>	—		

## Specifications

Ratings		Certifications		Construction	
Amperage	15 Amp/20 Amp	UL1699A	E366570	Termination	Back and Side
Feed-thru	20 Amp Protection	UL498	Receptacle	Terminal	#14-10 AWG
Voltage	120V AC (+10% to 15%) (102V to 132V)	UL Fed Spec	WC-596	Grounding	Self-Grounding Clip
Horsepower	(1) @ Rated Voltage	CSA Standard	C22.2 No. 42	Indicators	Power & Rev Wire
Flammability	Rated V2 per UL 94	CSA Tech	Letter No. M-02A	Configuration	2 Pole, 3 Wire
Operating Temperature	(-35°C to 66°C) or (-30°F to 150°F)	NEMA	WD-6	NEMA	5-15R, 5-20R
		Tamper-Resistant NEC® 406.12; 210.52 – All 15 and 20A 125V, receptacles shall be listed Tamper-Resistant for dwelling installations.			

Note: The Hubbell "AFR" series meets all requirements for an outlet branch-circuit type AFCI; protects branch circuit wiring and extensions to branches such including appliances and cord sets. All GFCI receptacles are furnished with a matching color thermoplastic wallplate.

## Product Dimensions



Dimensions in Inches (mm)

NEC® is a registered trademark of the National Fire Protection Association (NFPA).