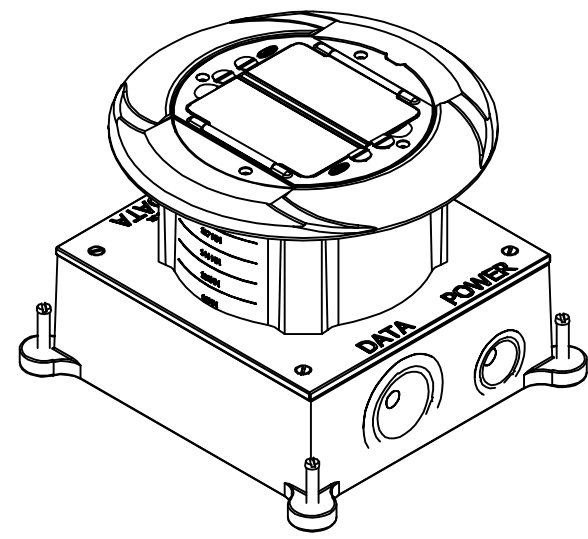
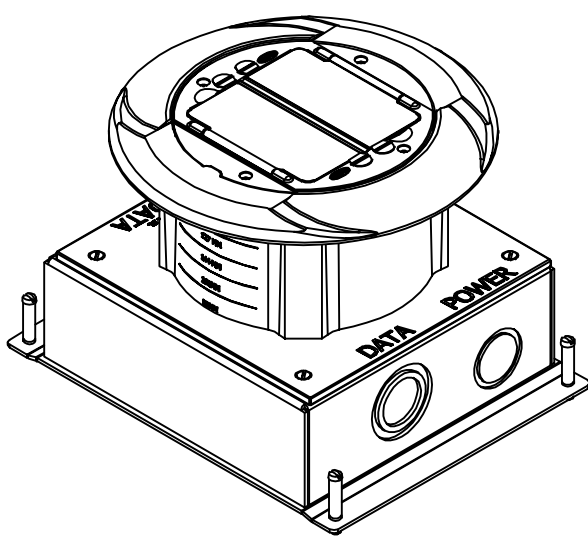


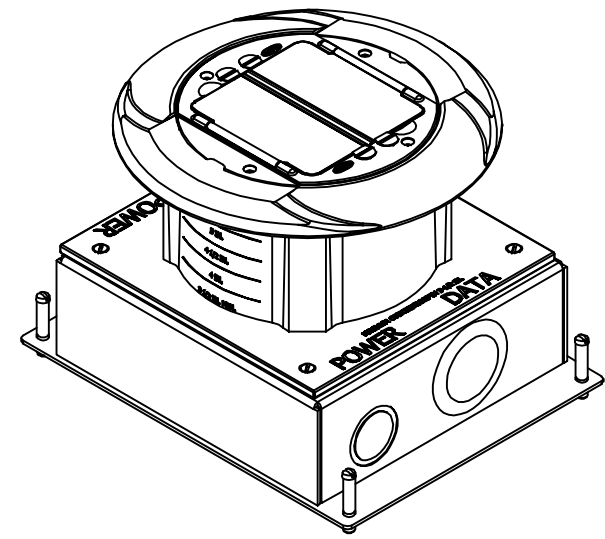
S1PFB  
NON-METALLIC FLOOR BOX



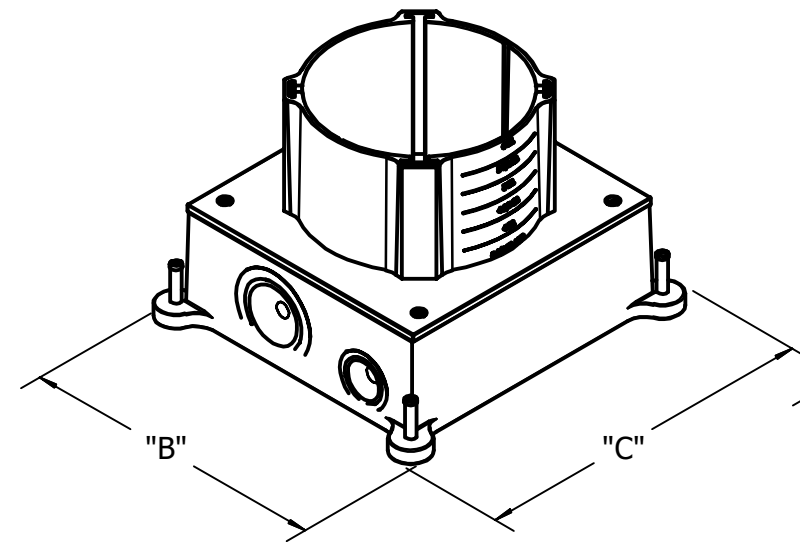
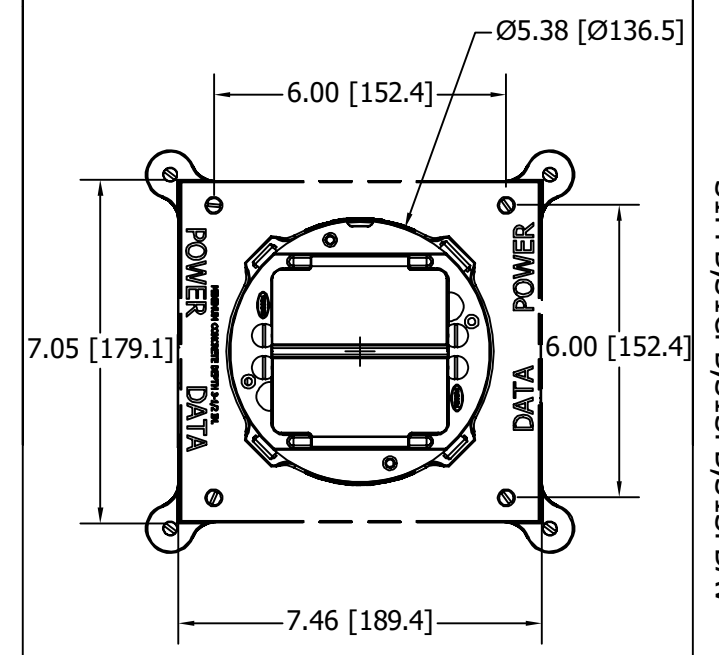
S1CFB  
CAST IRON FLOOR BOX



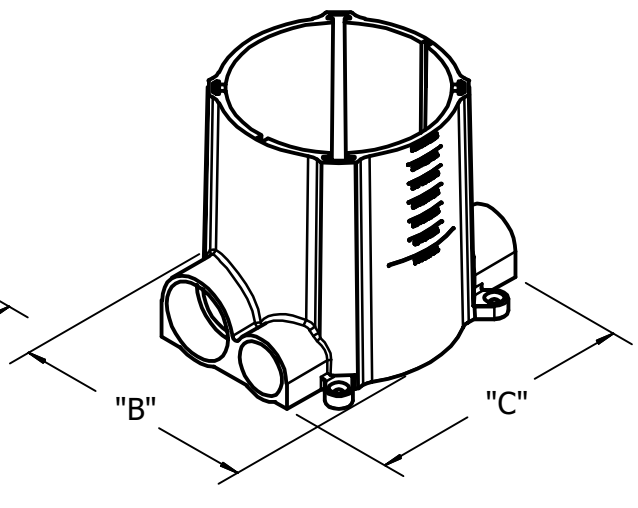
S1SFB  
STAMPED STEEL FLOOR BOX



S1SFBV  
STAMPED STEEL AV FLOOR BOX

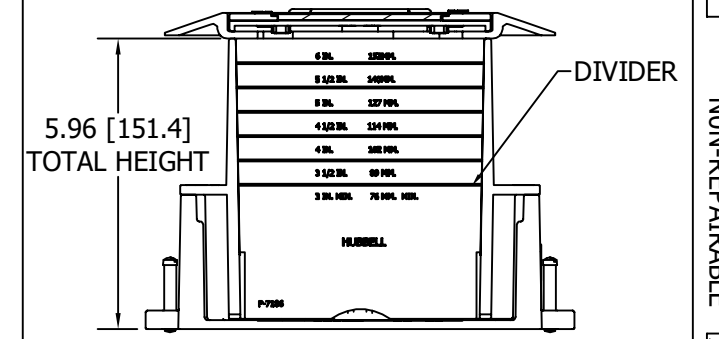


S1CFB, S1SFBxx, S1SFBVxx



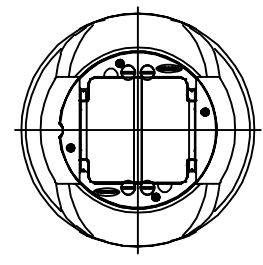
S1PFB

DIMENSION	S1CFB	S1SFB/S1SFBVR	S1SFBV/S1SFBVCR	S1PFB
"B"	8.08 [205.2]	7.50 [190.5]	7.50 [190.5]	5.58 [141.7]
"C"	8.64 [219.5]	9.54 [242.2]	9.50 [241.3]	7.08 [179.8]



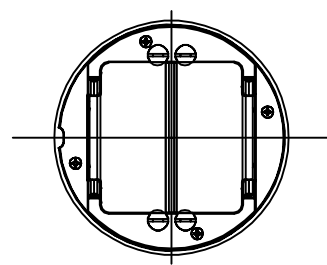
FLOOR BOX WITH COVER  
ASSEMBLY INSTALLED AT MAXIMUM HEIGHT

SYSTEMONE UNIVERSAL COVERS



CARPET

CATALOG NO.	DESCRIPTION
S1FCBRS	BRASS FINISH POWDER COAT CARPET COVER
S1FCAL	ALUMINUM FINISH POWDER COAT CARPET COVER
S1FCBL	BLACK POWDER COAT CARPET COVER
S1FCGY	GRAY POWDER COAT CARPET COVER
S1FCI	IVORY POWDER COAT CARPET COVER



TILE

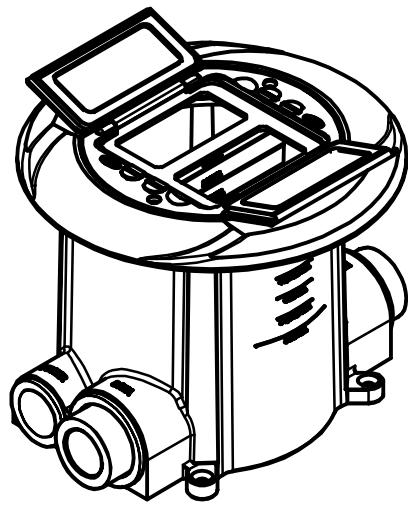
CATALOG NO.	DESCRIPTION
S1TFCBRS	BRASS FINISH POWDER COAT TILE COVER
S1TFCAL	ALUMINUM FINISH POWDER COAT TILE COVER
S1TFCBK	BLACK POWDER COAT TILE COVER
S1TFCGY	GRAY POWDER COAT TILE COVER
S1TFCI	IVORY POWDER COAT TILE COVER

THE DESIGN AND DIMENSIONS OF THE  
PRODUCT SHOWN ON THIS DRAWING ARE  
SUBJECT TO CHANGE WITHOUT NOTICE

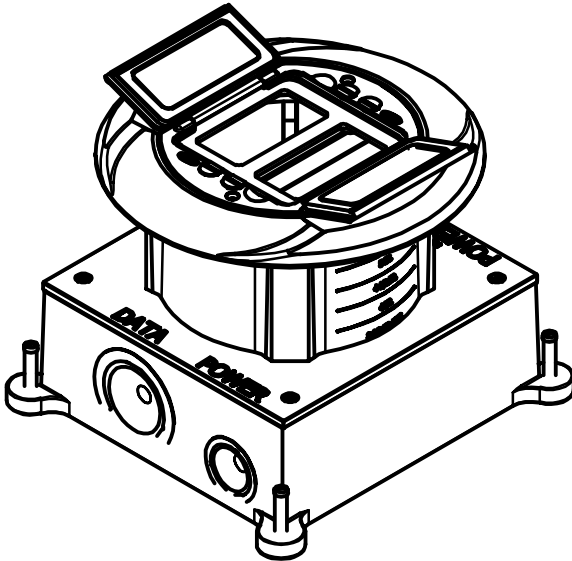
TITLE  
SYSTEMONE FLUSH METAL AND  
NON-METALLIC FLOOR BOXES

TOLERANCES UNLESS OTHERWISE SPECIFIED			WIRING DEVICE-KELLEMS HUBBELL INCORPORATED SHELTON, CT.		
.XX = ± .01	DR. BY	SBW	APP. BY		
.XXX = ± .005	TR. BY		SCALE		
ANGLES = ± 2°	CHK'D BY		DATE	5/1/2015	

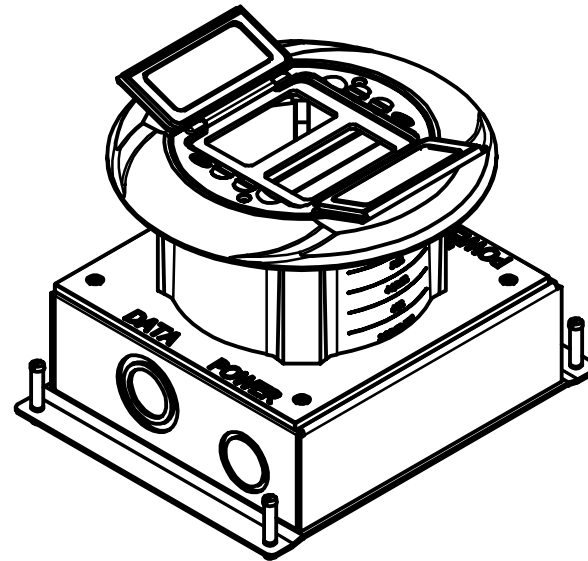
NOTES:  
1. ALL DIMENSIONS ARE IN INCHES AND [MILLIMETERS].  
2. PRODUCT IS UL & CSA LISTED.COMPLIES WITH UL 514A, CSA C22.2 NO. 85-14.



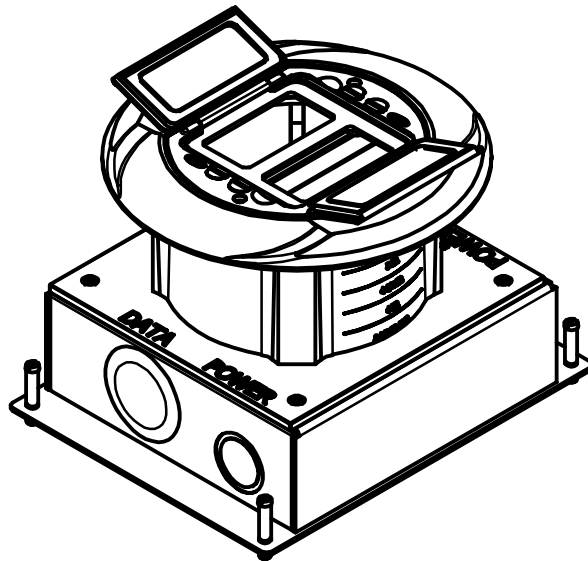
S1PFB  
NON-METALLIC FLOOR BOX



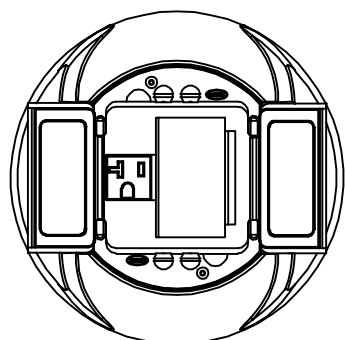
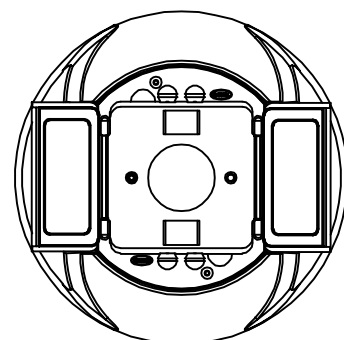
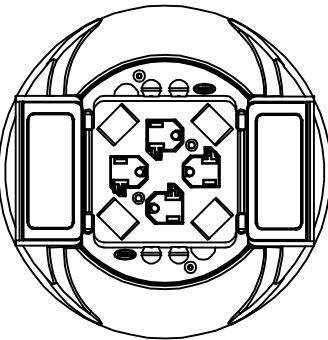
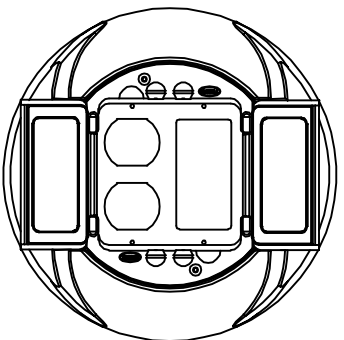
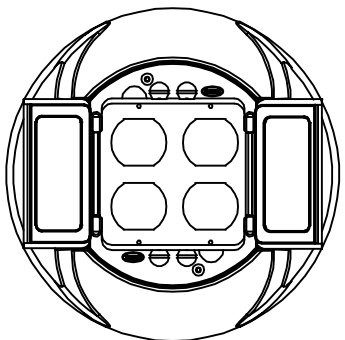
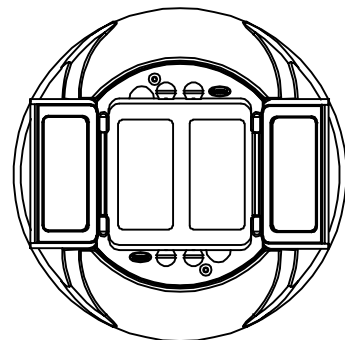
S1CFB  
CAST IRON FLOOR BOX



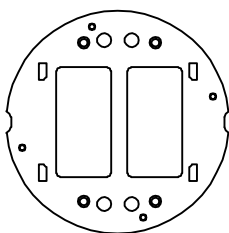
S1SFB  
STAMPED STEEL FLOOR BOX



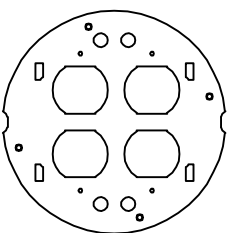
S1SFB AV  
STAMPED STEEL AV FLOOR BOX



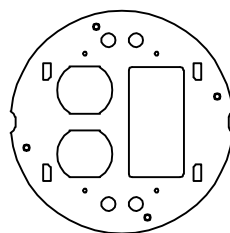
BIRD'S EYE VIEW WITH COVERS OPEN



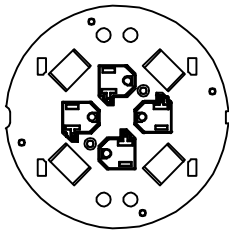
S1P



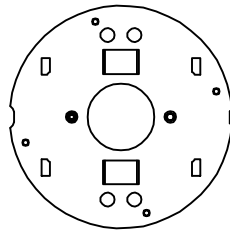
S1SPDU



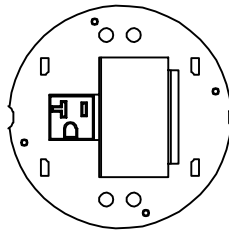
S1SPDUSL



S1SP4X4



S1SPTL



S1SP3IM

SYSTEM ONE FLUSH FLOOR BOX SUB PLATE FAMILY REQUIRED FOR ALL APPLICATIONS, SOLD SEPARATELY.

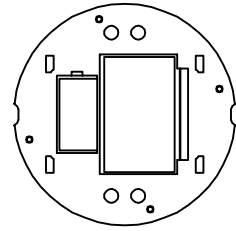
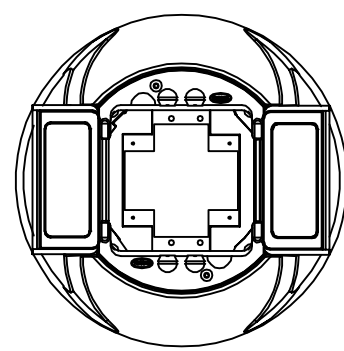
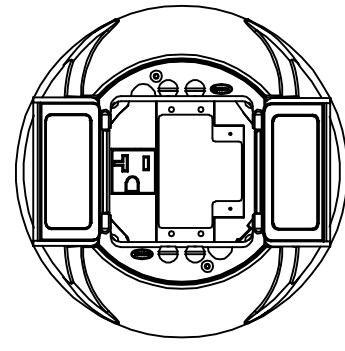
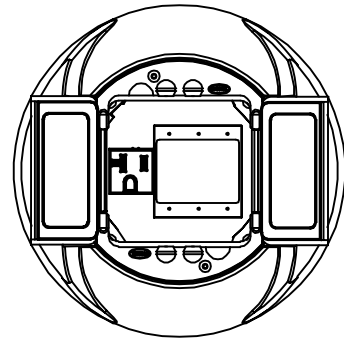
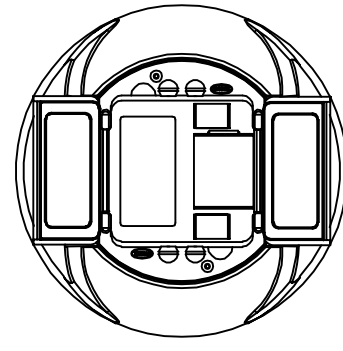
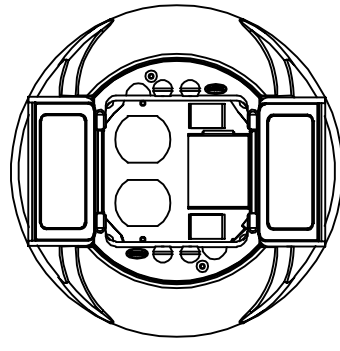
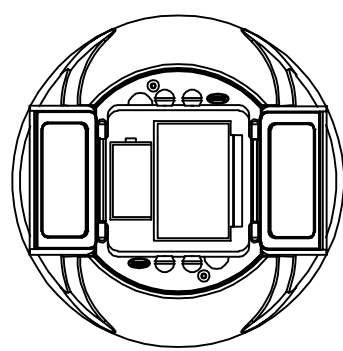
THE DESIGN AND DIMENSIONS OF THE PRODUCT SHOWN ON THIS DRAWING ARE SUBJECT TO CHANGE WITHOUT NOTICE

TITLE  
SYSTEMONE FLUSH METAL AND NON-METALLIC FLOOR BOXES

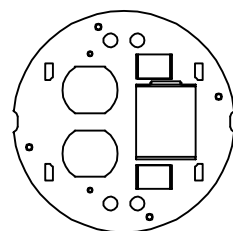
TOLERANCES UNLESS OTHERWISE SPECIFIED  
.XX = ± .01  
.XXX = ± .005  
ANGLES = ± 2°

WIRING DEVICE-KELLEMS  
HUBBELL INCORPORATED  
SHELTON, CT.

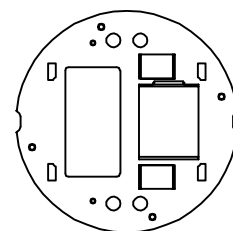
DR. BY	SBW	APP. BY	
TR. BY		SCALE	N.T.S.
CHK'D BY		DATE	5/1/2015



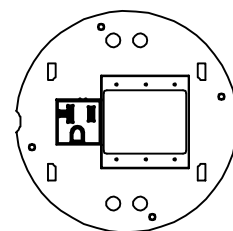
S1SP4IM



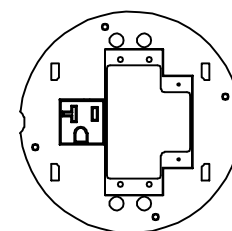
S1SPDU2IM



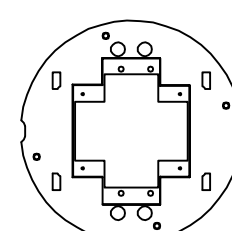
S1SPSL2IM



SLSPEXT1

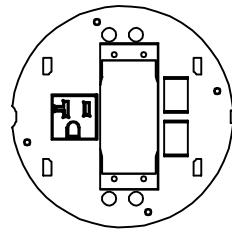
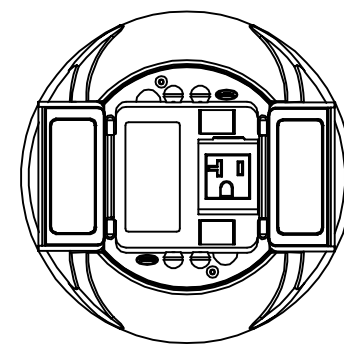
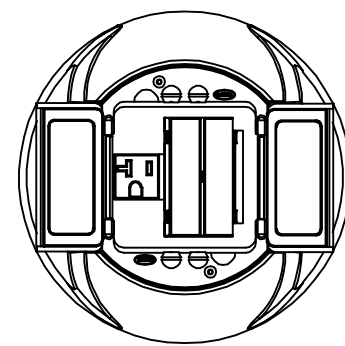
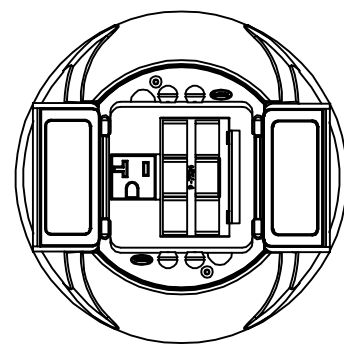
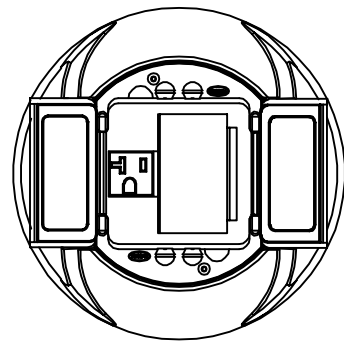
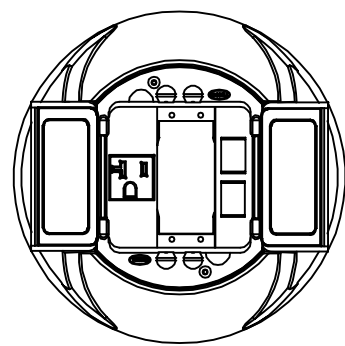


SLSPEXT2

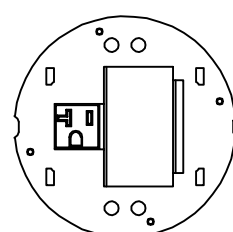


SLSPEXT3

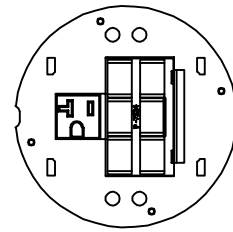
**BIRD'S EYE VIEW WITH COVERS OPEN**



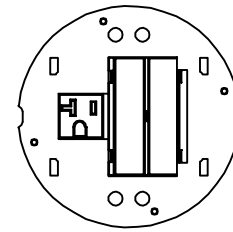
S1SPEXT4



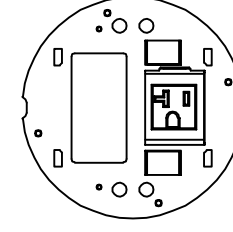
S1SPORT



S1SPMAX



S1SPTRAC



S1SPAMM20

SYSTEM ONE FLUSH FLOOR BOX SUB PLATE FAMILY REQUIRED FOR ALL APPLICATIONS, SOLD SEPARATELY.

THE DESIGN AND DIMENSIONS OF THE PRODUCT SHOWN ON THIS DRAWING ARE SUBJECT TO CHANGE WITHOUT NOTICE

TITLE  
SYSTEMONE FLUSH METAL AND NON-METALLIC FLOOR BOXES

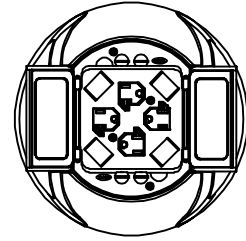
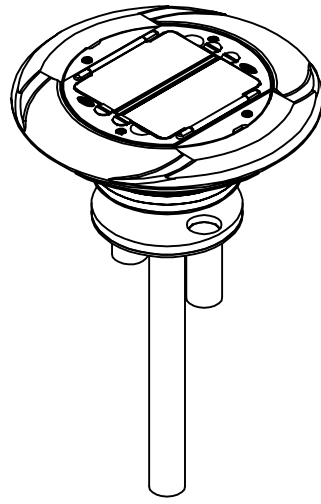
TOLERANCES UNLESS OTHERWISE SPECIFIED

.XX = ± .01  
.XXX = ± .005  
ANGLES = ± 2°

WIRING DEVICE-KELLEMS  
HUBBELL INCORPORATED  
SHELTON, CT.

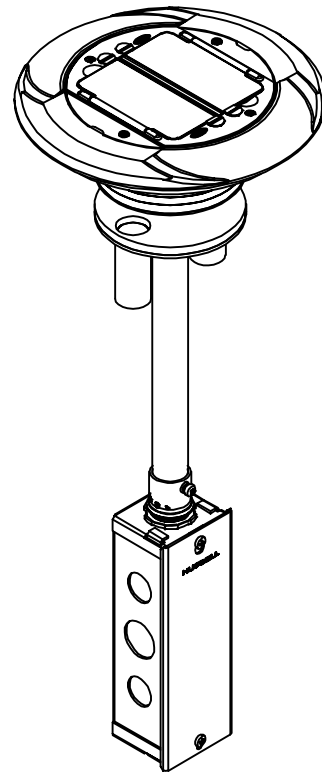
DR. BY	SBW	APP. BY	
TR. BY		SCALE	N.T.S.
CHK'D BY		DATE	5/1/2015

HUBBELL SYSTEMONE 4 INCH CORE HOLE, ONE - PIECE UNITS

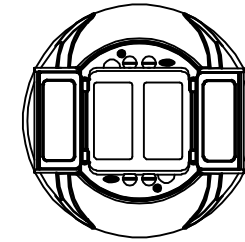
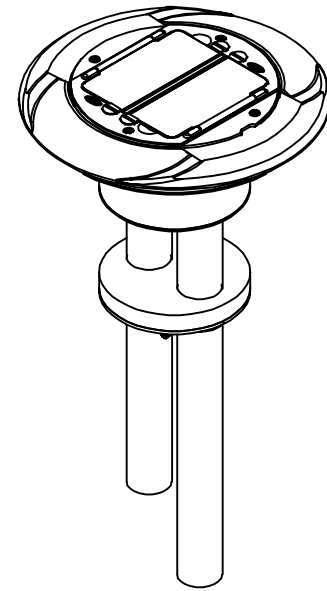


BIRD'S EYE VIEW WITH COVERS OPEN

ONE-PIECE 4X4 POKE-THROUGH WITH ALUMINUM FINISH S1PT4X4AL\*

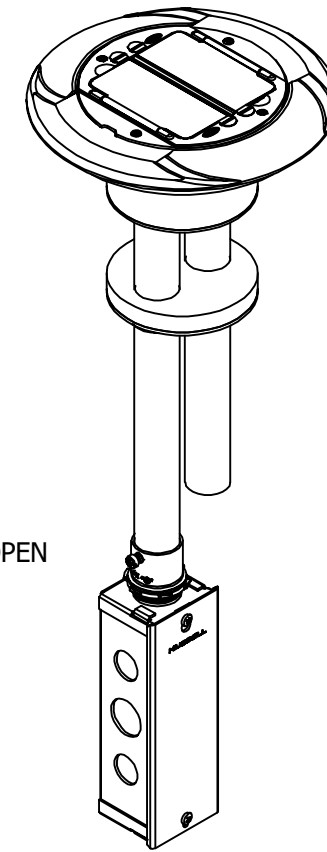


ONE-PIECE 4X4 POKE-THROUGH WITH ALUMINUM FINISH S1PT4X4ALJ\*

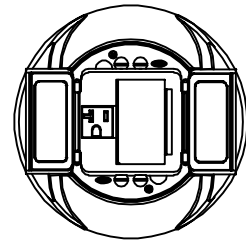
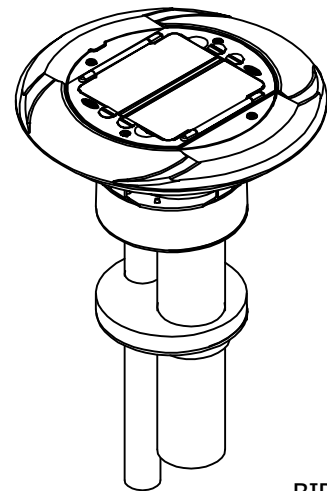


BIRD'S EYE VIEW WITH COVERS OPEN

ONE-PIECE DUAL STYLE LINE® DECORATOR POKE-THROUGH ALUMINUM FINISH S1PTAL\*

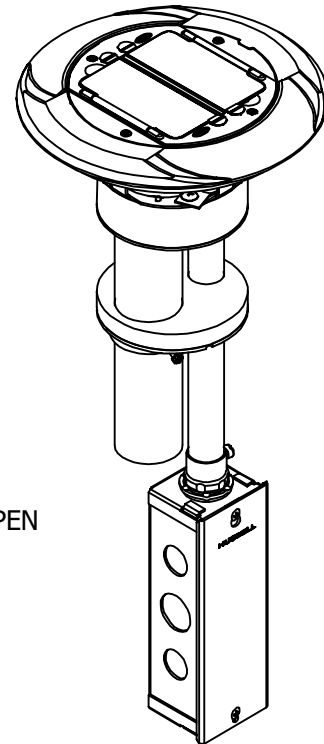


ONE-PIECE DUAL STYLE LINE® DECORATOR POKE-THROUGH ALUMINUM FINISH S1PTALJ\*

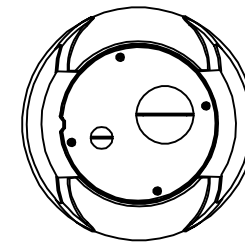
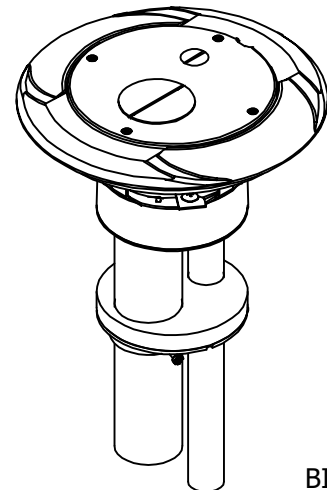


BIRD'S EYE VIEW WITH COVERS OPEN

ONE-PIECE MODULAR AV POKE THROUGH ALUMINUM FINISH S1PT3IMAL\*

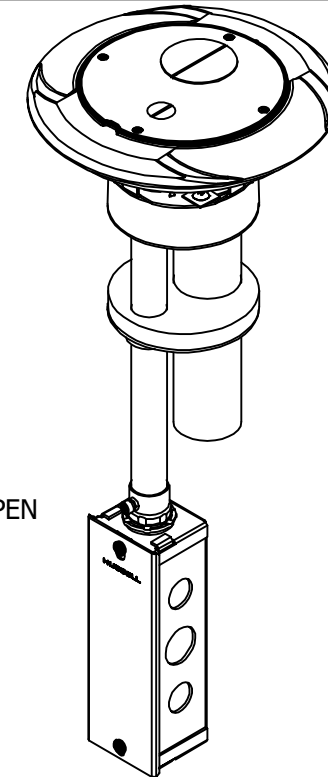


ONE-PIECE DUAL STYLE LINE DECORATOR POKE-THROUGH ALUMINUM FINISH S1PT3IMALJ\*



BIRD'S EYE VIEW WITH COVERS OPEN

ONE-PIECE 4 INCH FRPT WITH BRUSHED ALUMINUM COVER S1PTFFAL\*



ONE-PIECE 4 INCH FRPT WITH ALUMINUM COVER PLATE S1PTFFAL\*

\* AVAILABLE IN THE FOLLOWING COVER COLOR FINISH OPTIONS AS INDICATED BY THE CATALOG NUMBERS. AL - ALUMINUM, BLK - BLACK POWDER COAT, BRS - BRUSHED BRASS, BRS3 - BLACK/BRASS , GY - GRAY POWDER COAT

THE DESIGN AND DIMENSIONS OF THE PRODUCT SHOWN ON THIS DRAWING ARE SUBJECT TO CHANGE WITHOUT NOTICE

TITLE  
SYSTEMONE 4 INCH CORE HOLE FLUSH FIRE RATED POKE-THROUGHS

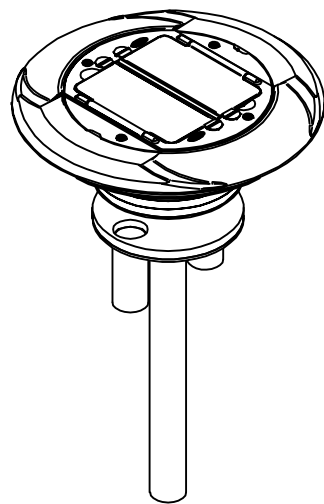
TOLERANCES UNLESS OTHERWISE SPECIFIED

.XX = ± .01  
.XXX = ± .005  
ANGLES = ± 2°

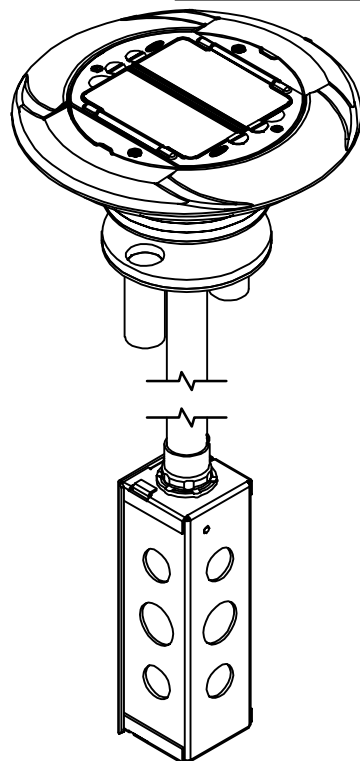
WIRING DEVICE-KELLEMS HUBBELL INCORPORATED SHELTON, CT

DR. BY	APP. BY
TR. BY	SCALE
CHK. BY	DATE

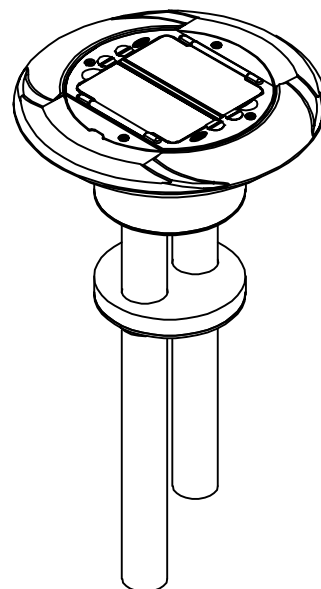
HUBBELL SYSTEMONE 4 INCH CORE HOLE, THREE - PIECE UNITS



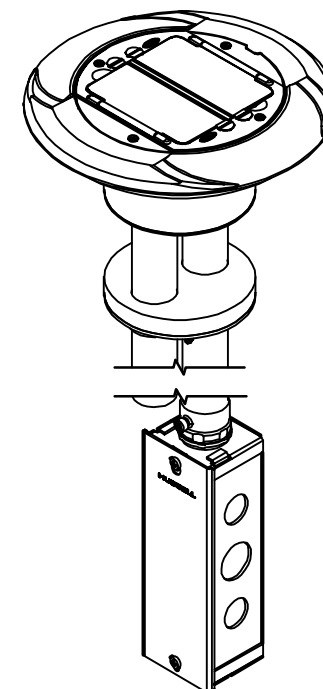
SYSTEM ONE 4" FLUSH 4X4  
FLOOR FITTING  
S1PT4X4FIT



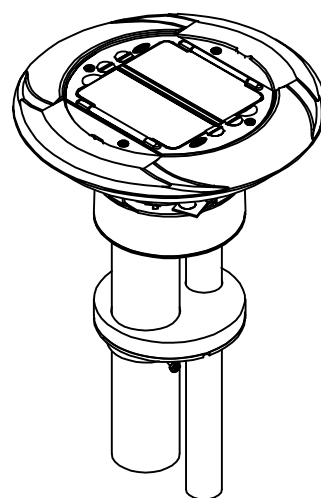
SYSTEM ONE 4" CORE  
4X4 THROUGH FLOOR FITTING  
S1PT4X4FITJ



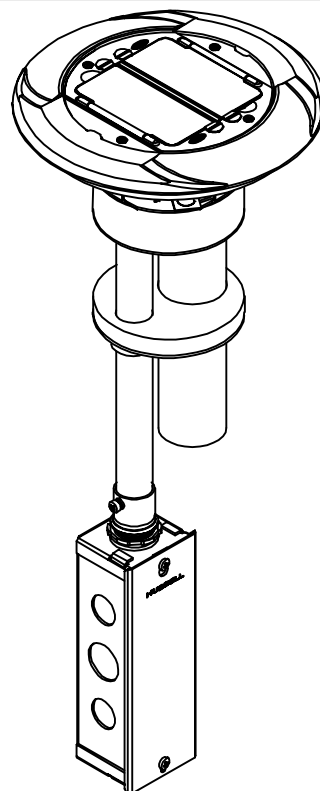
DUAL CHANNEL THROUGH FLOOR FITTING  
WITH COVER  
S1PTFIT



DUAL CHANNEL THROUGH  
FLOOR FITTING  
S1PTFITJ



AV THROUGH FLOOR FITTING WITH COVER  
S1PTAVFIT



AV THROUGH FLOOR FITTING WITH COVER  
AND JUNCTION BOX S1PTAVFITJ

1. PRODUCT IS CULUS LISTED.COMPLIES WITH UL 514A.
2. S1PT4X4FIT ASSEMBLED UNITS INCLUDES SYSTEM 4" FLUSH POKE THROUGH WITH THREE 3/4" CONDUITS USE WITH SYSTEM ONE UNIVERSAL COVERS AND ALL HUBBELL SUB PLATE S1SP4X4 & S1SPTL SERIES.
3. S1PTFIT SYSTEM 4" FLUSH POKE THROUGH WITH 1" CONDUITS USE WITH SYSTEM ONE UNIVERSAL COVERS AND ALL HUBBELL SUB PLATE EXCEPT S1SP4X4 & S1SPTL SERIES.

THE DESIGN AND DIMENSIONS OF THE  
PRODUCT SHOWN ON THIS DRAWING ARE  
SUBJECT TO CHANGE WITHOUT NOTICE

TITLE  
SYSTEMONE 4 INCH CORE HOLE,  
FLUSH FIRE RATED POKE-THROUGHS

TOLERANCES UNLESS  
OTHERWISE SPECIFIED

.XX = ± .01  
.XXX = ± .005  
ANGLES = ± 2°

WIRING DEVICE-KELLEMS  
HUBBELL INCORPORATED  
SHELTON, CT

DR. BY	APP. BY
TR. BY	SCALE
CHK. BY	DATE