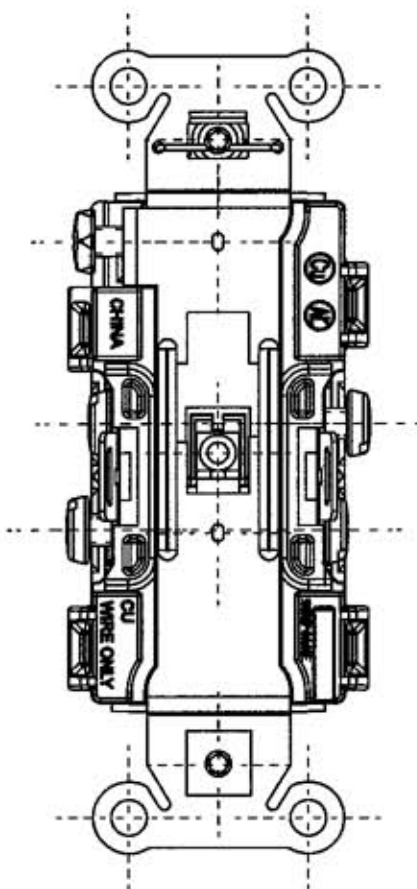
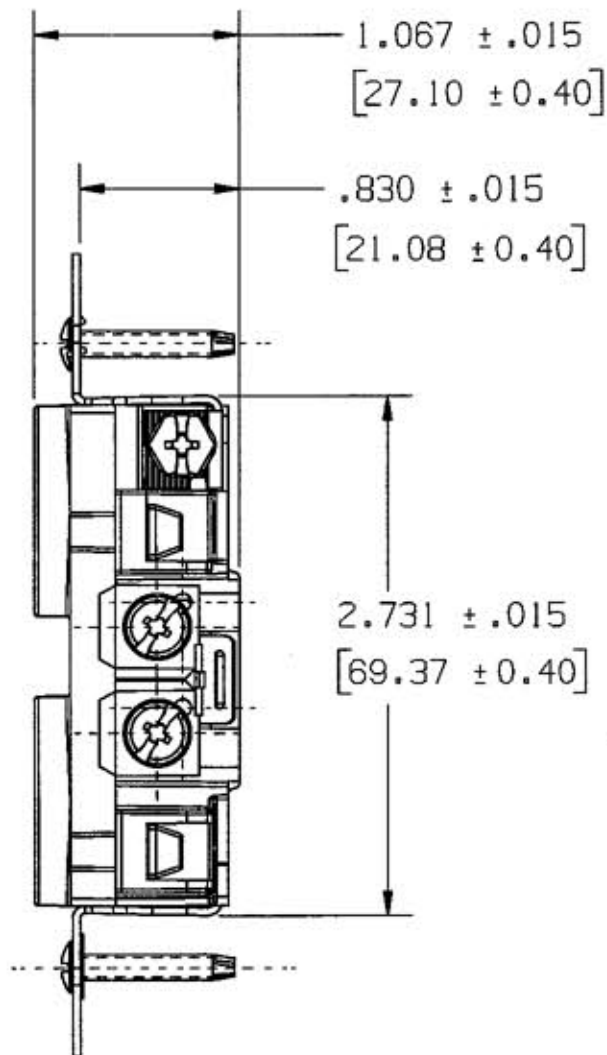
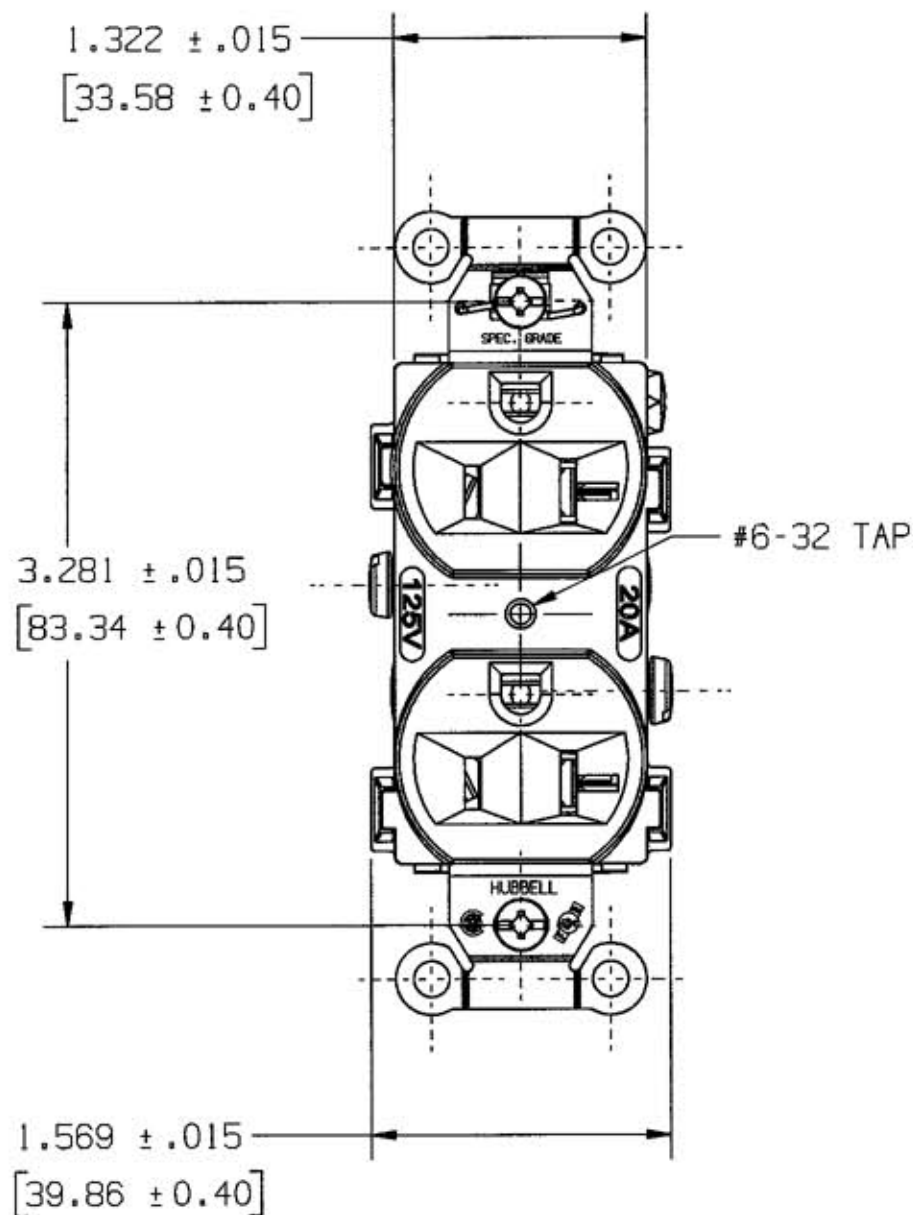


M-10320 2



NOTES:

- 1) DIMENSIONS ARE IN INCHES [MM].
- 2) ALL DEVICES UL LISTED, CSA AND FED. SPEC. CERTIFIED.
- 3) TERMINALS ACCOMMODATE #14-#10 AWG COPPER WIRE ONLY.

CATALOG NUMBERS

| | BROWN | IVORY | GRAY | WHITE | BLACK | ALMOND | BLUE | LIGHT ALMOND | RED | ORANGE | OFFICE WHITE |
|---------|-------|--------|----------|----------|----------|---------|-------|--------------|-------|--------|--------------|
| HUBBELL | CRF20 | CRF20I | CRF20GRY | CRF20WHI | CRF20BLK | CRF20AL | ----- | CRF20LA | ----- | ----- | CRF20OW |

LIST OF PARTS

| DESCRIPTION | MATERIAL | FINISH |
|---------------------|--------------|----------|
| TOP | NYLON 6/6 | SPI A-3 |
| BASE | NYLON 6/6 | SPI A-3 |
| LINE CONTACTS | BRASS | |
| GROUND CONTACTS | BRASS | |
| CONTACT SCREW (NEU) | STEEL | NI PLT |
| CONTACT SCREW (HOT) | STEEL | |
| BRIDGE | .04 GALV STL | |
| GROUND SCREW | STEEL | GREEN |
| STAPLE | S.S. | |
| WASHER | PVC FILM | BLACK |
| MOUNTING SCREW | STEEL | ZINC PLT |

| SYM | REVISIONS | APP | DATE |
|-----|--|----------------|----------|
| 2 | ADDED CAT. NOS. CRF20AL & CRF20LA PER DCN# 13864 | WRV <i>WRV</i> | 08/02/07 |
| 1 | RELEASED PER DCN# 13786 | WRV | 03/27/07 |

THE DESIGN AND DIMENSIONS OF THE PRODUCT SHOWN ON THIS DRAWING ARE SUBJECT TO CHANGE WITHOUT NOTICE

TITLE HUBBELL
20A 125V, 2P 3W,
FINDER GROOVE DUPLEX RECEPT.
SIDE WIRE

| | | |
|---------------------------------------|---|-----------|
| TOLERANCES UNLESS OTHERWISE SPECIFIED | WIRING DEVICE-KELLEMS HUBBELL INCORPORATED BRIDGEPORT, CT | |
| FRACTIONS ± 1/64 | DR. BY WRV | APP. BY |
| DECIMALS ± .005 | TR. BY | SCALE 1:1 |
| ANGLES ± 2° | CHK'D BY | DATE 3/07 |