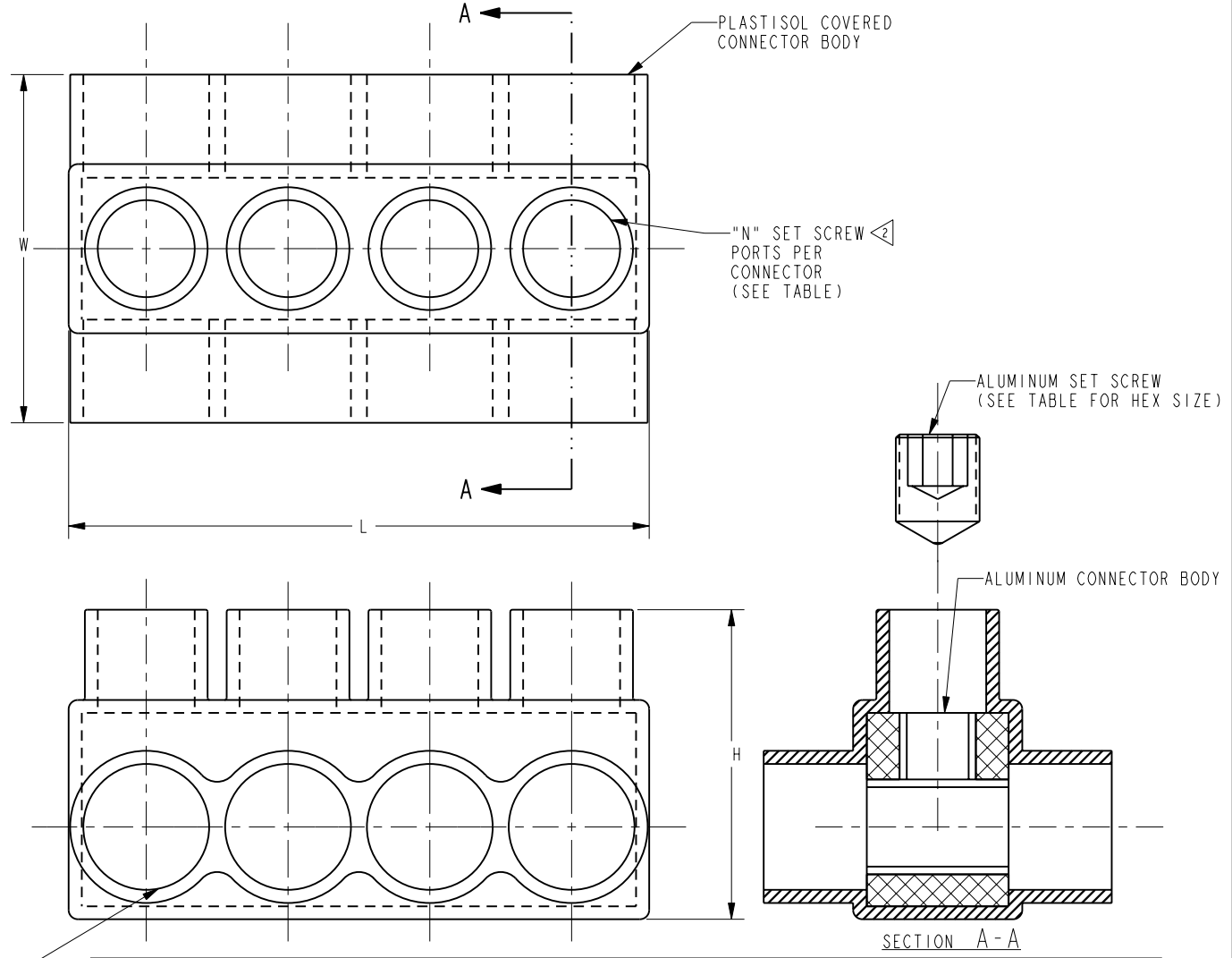


DRAWING NO.
SC210991

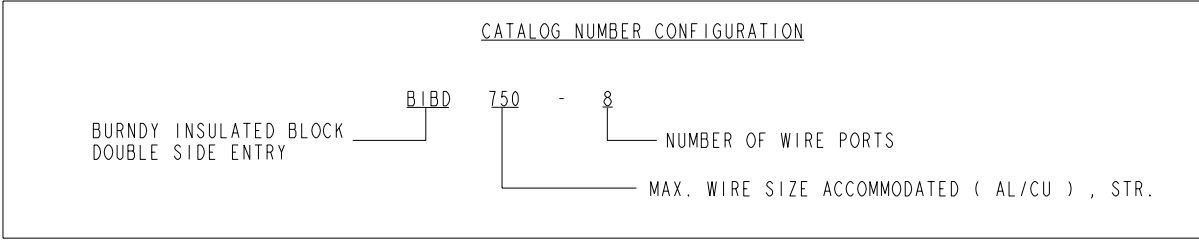
CATALOG NO.	WIRE RANGE (AWG/kcmil)	L	W	H	HEX KEY	N
3 BIBD750-2	#2-750	2.87 [73]	3.38 [86]	3.00 [76]	3/8	2
3 BIBD750-3	#2-750	4.25 [108]	3.38 [86]	3.00 [76]	3/8	3
3 BIBD750-4	#2-750	5.63 [143]	3.38 [86]	3.00 [76]	3/8	4
3 BIBD750-6	#2-750	8.37 [213]	3.38 [86]	3.00 [76]	3/8	6
3 BIBD750-8	#2-750	11.13 [283]	3.38 [86]	3.00 [76]	3/8	8
3 BIBD750-10	#2-750	13.87 [352]	3.38 [86]	3.00 [76]	3/8	10
3 BIBD750-12	#2-750	16.63 [422]	3.38 [86]	3.00 [76]	3/8	12
3 BIBD750-14	#2-750	19.37 [492]	3.38 [86]	3.00 [76]	3/8	14

REV	DATE	DESCRIPTION	ECO	BY	C'H'K.
D	12/13/2012 00:00:00 AM	TORQUE INFORMATION ADDED	29767	RG	MA

FEATURES	BENEFITS
PLASTISOL COVERED AL6061-T6 BODY	SAVES TIME, LOWERS INSTALLATION COSTS, ELIMINATES TAPING.
CLEAR PLASTISOL	ALLOWS VISUAL CONFIRMATION THAT CONDUCTOR IS PROPERLY INSERTED.
OXIDE-INHIBITOR IS PRE-INSTALLED	INHIBITS MOISTURE AND CONTAMINANTS FROM ENTERING THE CONTACT AREA
RANGE-TAKING	REDUCES THE NUMBER OF CONNECTORS CARRIED IN INVENTORY



2 'N' WIRE PORTS PER CONNECTOR (SEE TABLE)



- NOTES:
- CONNECTORS ARE SUPPLIED INDIVIDUALLY LABELED. LABEL INFORMATION INCLUDES CATALOG NUMBER, QUANTITY, AND BARCODE.
 - END CAPS INSTALLED ON WIRE PORTS AND SET SCREW PORTS.
 - NOT UL LISTED
 - DIMENSIONS IN BRACKETS [] ARE IN MILLIMETERS ROUNDED OFF TO THE NEAREST MILLIMETER, UNLESS OTHERWISE NOTED, AND ARE FOR REFERENCE ONLY.
 - TORQUE SET SCREWS TO 375 IN/LB

TO ORDER BURNDY® PRODUCTS CALL

UNITED STATES:
1-800-346-4175 (LONDONDERRY, NH)

CANADA:
1-800-361-6975 (QUEBEC)
1-800-387-6487 (ALL OTHER PROVINCES)

FOR PRODUCT INFO: <http://www.burndy.com>

UNITAP™- PLASTISOL COVERED WIRE CONNECTORS	
ITEM NO:	N/A
CAT. NO:	BIBD750-, SERIES
DRAWN BY:	J AYER 3/21/97
CHECKER:	C CHADBOURNE 7/21/97
DSN APPVL:	C CHADBOURNE 7/21/97
MFG APPVL:	--
QA APPVL:	J BRODEUR 7/28/97
MKT APPVL:	P WERTHMAN 7/24/97
PROJ FAM:	--
PROJECT #:	--
DOCUMENT TYPE:	Sales
REL LEVEL:	Released
SCALE:	NTS
DRAWING NO:	SC210991
REV:	D

REV: PE0200

