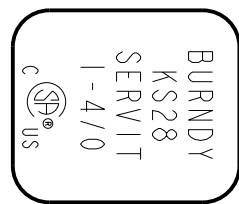
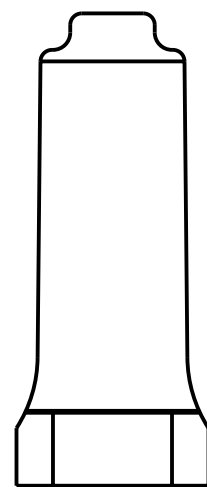
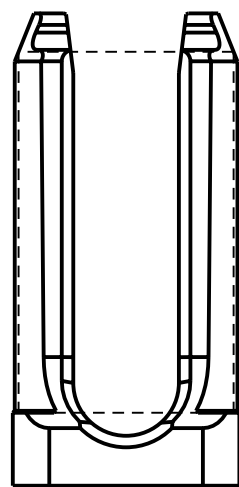
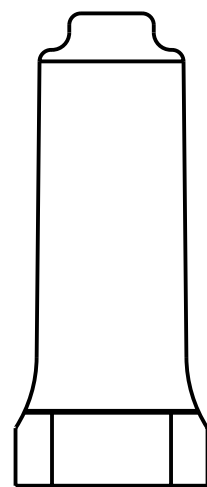
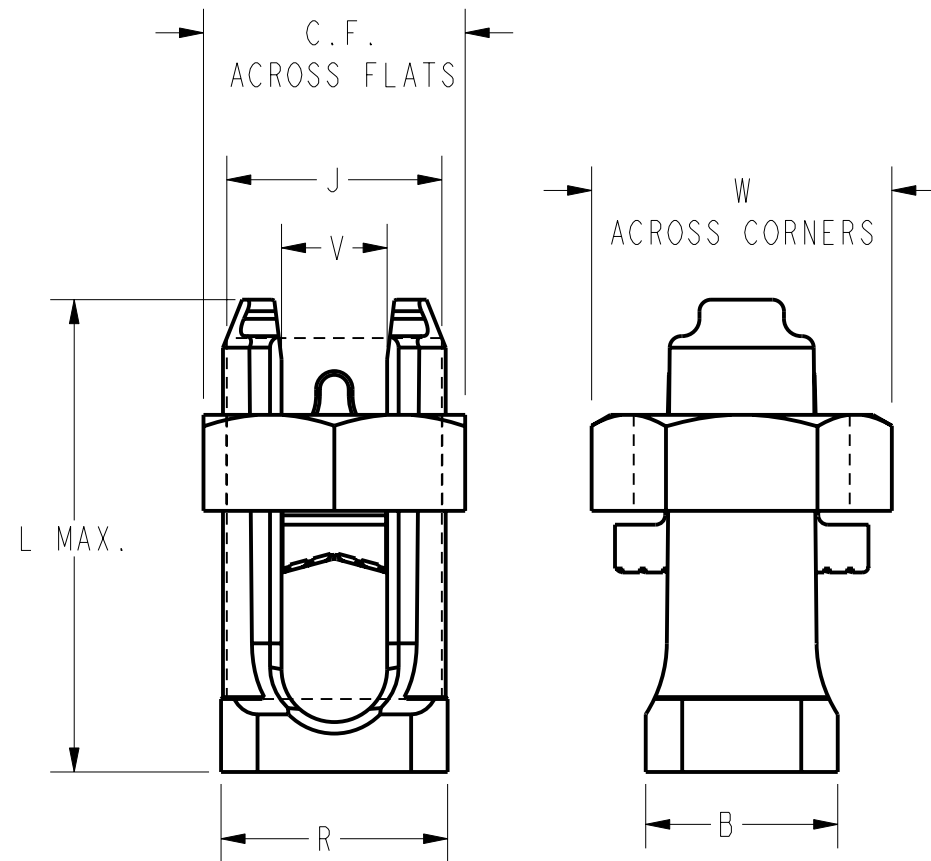


CATALOG NUMBER	CONDUCTORS ACCOMMODATED				B	C.F.	J	L	R	V REF.	W REF.
	AWG		METRIC WIRE SIZE								
	STRANDED	SOLID	STRANDED	SOLID							
KS28	1 (.332 DIA.) 4/0 (.528 DIA.)	1 (.289 DIA.) 4/0 (.460 DIA.)	[50mm ² (9.3 DIA.)] [95mm ² (12.8 DIA.)]	--	1.00 [25]	1.35 [34]	1-1/8"-12NF-2	2.46 [63]	1.18 [30]	.55 [14]	1.56 [40]

REV.	DATE	DESCRIPTION	ECO	BY	C'H'K.
B	5/19/2010 12:00:00 AM	UPDATE MARKING TO OBTAIN CSA LISTING	20879	MA	DG



TYPICAL LETTERING



NOTES:

1. MATERIAL: COPPER ALLOY.
2. DIMENSIONS IN BRACKET [] ARE IN MILLIMETERS ROUNDED OFF TO THE NEAREST MILLIMETER, UNLESS OTHERWISE NOTED, AND ARE FOR REFERENCE ONLY.
3. CSA C22.2 NO.65 LISTED/ UL 486 APPLICABLE.
4. THIS DRAWING TO BE INTERPRETED PER ASME Y14.5M-1994.

TO ORDER BURNDY® PRODUCTS CALL
 UNITED STATES:
 1-800-346-4175 (LONDONDERRY, NH)
 CANADA:
 1-800-361-6975 (QUEBEC)
 1-800-387-6487 (ALL OTHER PROVINCES)
 FOR PRODUCT INFO: <http://www.burndy.com>

SERVIT®	
ITEM NO: 10057832	CAT. NO: KS28
DRAWN BY: R. BOISVERT 06/03/2009	CHECKER: J. PARKER 08/04/2009
DSN APPVL: J. HALL 08/04/2009	MFG APPVL: T. WAWRZYNIAK 08/07/2009
QA APPVL: J. BRODEUR 08/11/2009	MKT APPVL: --
PROD FAM: --	PROJECT #: --
DOCUMENT TYPE: Sales	REL LEVEL: Released
SCALE: 1:1	DRAWING NO: 10102446
REV: B	SHEET 1 OF 1

REV: PE0200