

SystemOne Recessed 4-Gang Round Floor Boxes, Covers and Plates For Use In Raised Access or Wood Floors

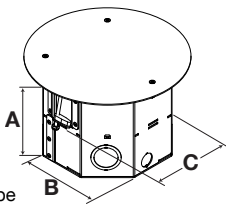
AFB series boxes are available from our factory as pre-wired assemblies with CONNEXION modular plug-n-play system



RAF4NKL
with Devices



RAF4BRS

| | |
|---|---|
| Style |  |
| Box Type | Round |
| Round | RAF4BASE |
| Minimum Depth from Top of Floor Tile | 6.47" (164.3) |
| Cubic Inch (cm ³) Capacity per Gang | 28.5 cu. in. (460 cm ³) |
| Dimensions – A | 6.41" (162.9) |
| Dimensions – B | 7.33" (186.2) |
| Dimensions – C | 8.05" (204.6) |
| KO Trade Size: Sides | (2) ½" (2) ¾", 1½" - Concentric, (2) 1", 1¼" - Concentric |
| Bottom | (1) 1½", 2" (1) ¾", 1" - Concentric, (1) ¾", 1", 1¼" - Concentric |
| Floor Thickness | .71" (19.1) - 2.50" (63.5) |
| Temporary Cover Included | ✓ |
| ADA | Flange thickness is ½ inches thick and complies with ADA requirements |

Note: UL File Number E31999.



RAF4 Series – Round Floor Box with Cover

Includes: **RAF4BASE** and 8 in. cover

| Cover Finish | Catalog Number |
|---------------------|----------------|
| Brushed Aluminum | RAF4ALU |
| Black Powder Coat | RAF4BLK |
| Brass Plated | RAF4BRS |
| Bronze Plated | RAF4BRZ |
| Gray Powder Coat | RAF4GRY |
| Satin Nickel Plated | RAF4NKL |

8 Inch Round Covers*

Round covers are suitable for use with all floor types

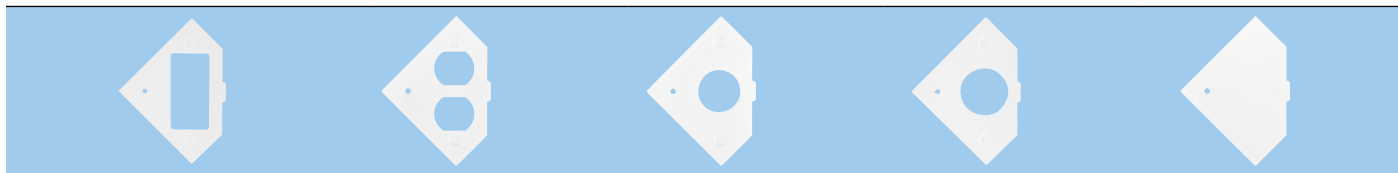
| Plate Style | Catalog Number |
|---------------------|----------------------|
| Brushed Aluminum | CFBS1R8CVRALU |
| Black Powder Coat | CFBS1R8CVRBLK |
| Brass Plated | CFBS1R8CVRBRS |
| Bronze Plated | CFBS1R8CVRBRZ |
| Gray Powder Coat | CFBS1R8CVRGRY |
| Satin Nickel Plated | CFBS1R8CVRNKL |

Note: *Load applied through a 3 in. (76mm) mandrel in center of the cover.

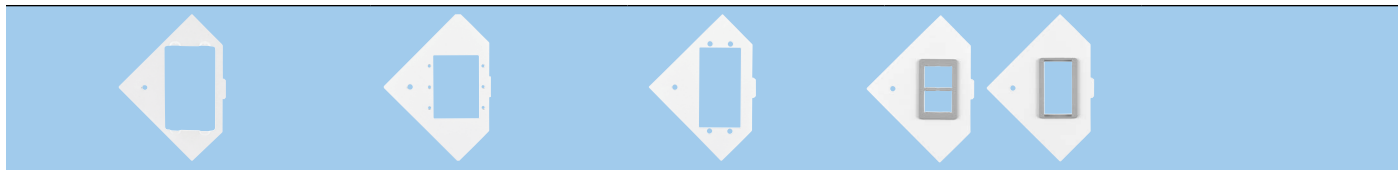
RAF4 Series – Plates

- All **RAF4SP** series plates are powder coat white

| Plate Style | (1) Decorator | (1) Duplex | (1) Simplex Opening 1.40 in. Diameter | (1) Twist-Lock® Opening 1.60 in. Diameter | Blank |
|-------------|-------------------|---------------------|--|--|--------------------|
| Cat. No. | RAF4SPDECO | RAF4SPDUPLEX | RAF4SPTL14 | RAF4SPTL16 | RAF4SPBLANK |



| Plate Style | (1) Hubbell iStation Opening for 3 Units | (3) Extron® MAAP Modules | (2) Extron® AAP Modules | Opening to Accept Bezels for Ortronics TracJack® |
|-------------|---|-----------------------------|----------------------------|---|
| Cat. No. | RAF4SP3UIS | RAF4SP3MAAP | RAF4SP2AAP | RAF4SPORT |



Extron® is a registered trademark of Extron Electronics. Crestron® is a registered trademark of Crestron Electronics, Inc. FSR® is a registered trademark of FSR Inc. TracJack®, Series II® and Ortronics® are registered trademarks of Ortronics/Legrand.

Dimensions in Inches (mm)