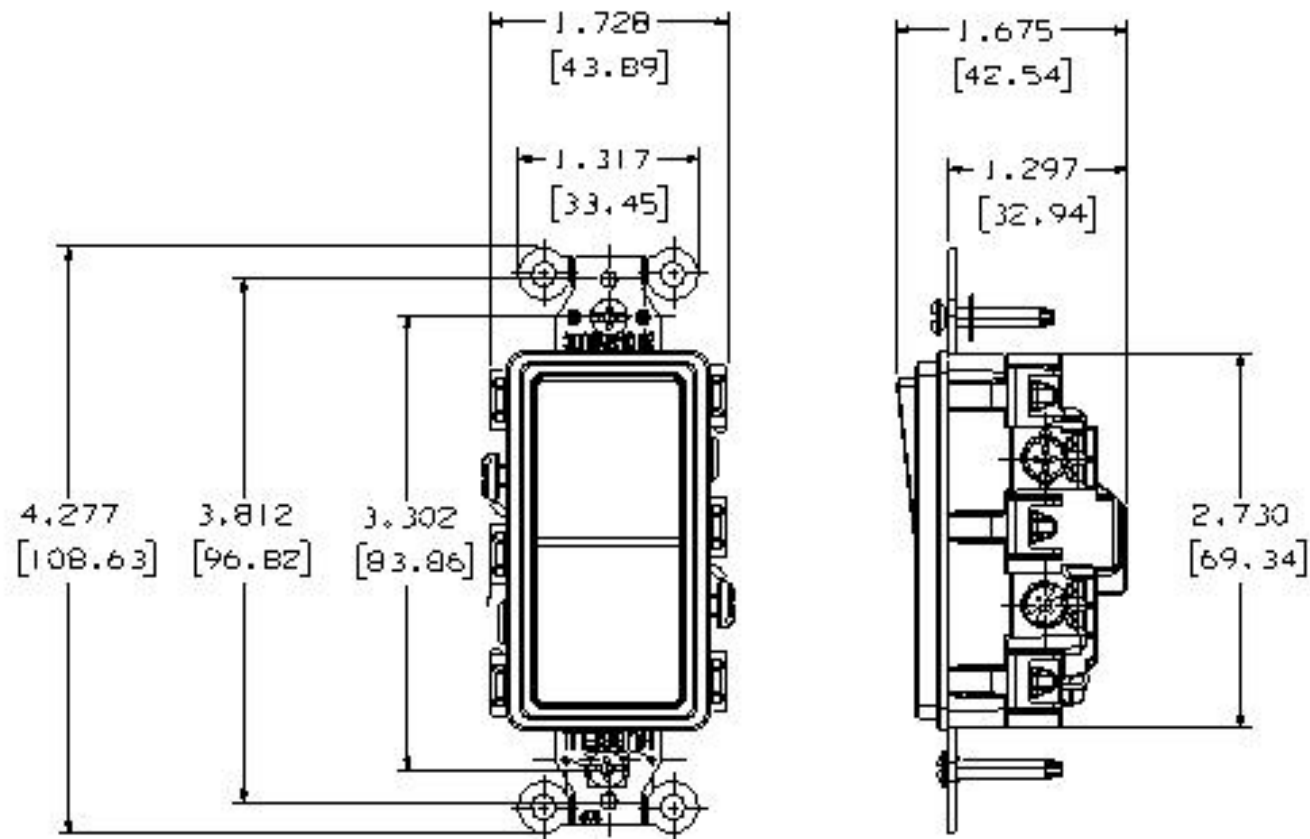


M-11059 4



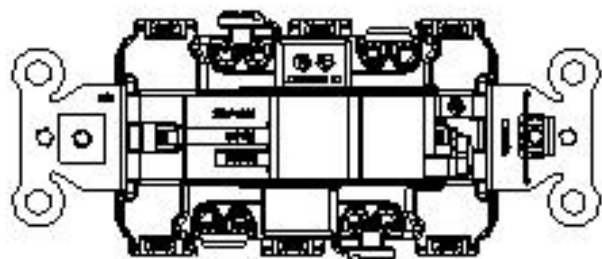
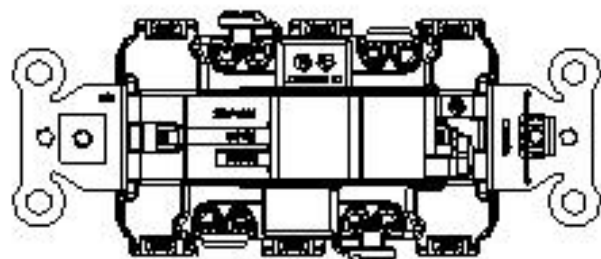
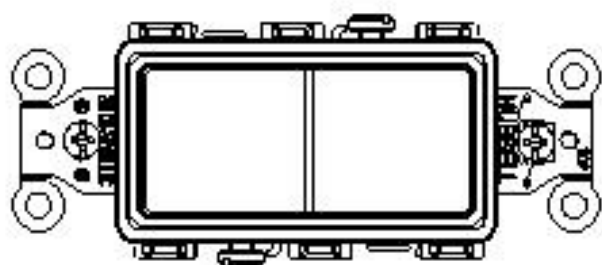
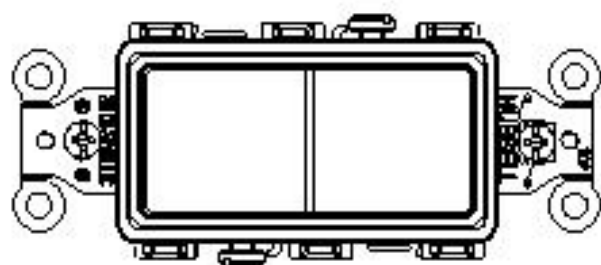
| CATALOG NO. | RATING/TYPE                            | COLOR        |
|-------------|--|--------------|
| DS220B      | SWITCH, DECO SER, DP, 20A 120/277V, BR | BROWN        |
| DS220I      | SWITCH, DECO SER, DP, 20A 120/277V, IV | IVORY        |
| DS220GY     | SWITCH, DECO SER, DP, 20A 120/277V, GY | GRAY         |
| DS220W      | SWITCH, DECO SER, DP, 20A 120/277V, WH | WHITE        |
| DS220BK     | SWITCH, DECO SER, DP, 20A 120/277V, BK | BLACK        |
| DS220OW     | SWITCH, DECO SER, DP, 20A 120/277V, OW | OFFICE WHITE |
| DS220AL     | SWITCH, DECO SER, DP, 20A 120/277V, AL | ALMOND       |
| DS220LA     | SWITCH, DECO SER, DP, 20A 120/277V, LA | LIGHT ALMOND |
| DS420       | SWITCH, DECO SER, 4W, 20A 120/277V, BR | BROWN        |
| DS420I      | SWITCH, DECO SER, 4W, 20A 120/277V, IV | IVORY        |
| DS420GY     | SWITCH, DECO SER, 4W, 20A 120/277V, GY | GRAY         |
| DS420W      | SWITCH, DECO SER, 4W, 20A 120/277V, WH | WHITE        |
| DS420BK     | SWITCH, DECO SER, 4W, 20A 120/277V, BK | BLACK        |
| DS420OW     | SWITCH, DECO SER, 4W, 20A 120/277V, OW | OFFICE WHITE |
| DS420AL     | SWITCH, DECO SER, 4W, 20A 120/277V, AL | ALMOND       |
| DS420LA     | SWITCH, DECO SER, 4W, 20A 120/277V, LA | LIGHT ALMOND |
| DS420R      | SWITCH, DECO SER, 4W, 20A 120/277V, RD | RED          |

| LIST OF PARTS       |               |               |
|---------------------|---------------|---------------|
| DESCRIPTION         | MATERIAL      | FINISH        |
| ROCKER              | THERMOPLASTIC | NONE          |
| TOP HOUSING         | THERMOPLASTIC | NONE          |
| BASE                | THERMOPLASTIC | NONE          |
| RUBBER INSERT       | ELASTOMER     | NONE          |
| RUBBER BUMPER       | ELASTOMER     | NONE          |
| DRIVE SCREW         | STEEL         | ZINC PLATED   |
| MOUNTING SCREW      | STEEL         | ZINC PLATED   |
| STRAP               | STEEL         | ZINC PLATED   |
| SPRING              | STEEL         | NONE          |
| STAPLE              | STEEL         | NONE          |
| BRUSH               | BRASS ALLOY   | BRIGHT DIP    |
| SILVER CONTACT      | SILVER ALLOY  | NONE          |
| COMMON TERMINAL     | BRASS ALLOY   | SILVER PLATED |
| SP STATIONARY TERM. | BRASS ALLOY   | BRIGHT DIP    |
| GROUND TERMINAL     | BRASS ALLOY   | BRIGHT DIP    |
| 3W STATIONARY TERM. | BRASS ALLOY   | BRIGHT DIP    |
| PVC WASHER          | PVC PLASTIC   | NONE          |
| BRUSH ACTUATOR      | STEEL         | ZINC PLATED   |
| LAMP-WIRE PIN       | BRASS ALLOY   | NONE          |
| LED LAMP            |               | NONE          |

| REVISIONS | DATE     | BY   | APP |
|-----------|----------|------|-----|
| 4         | 06/16/17 | D.LI |     |
| 3         | 11/26/13 | DJP  |     |
| 2         | 08/05/10 | C.Z  |     |
| 1         | 06/30/10 | C.Z  |     |

DOUBLE POLE

4-WAY



NOTE:  
 1. BASE COLOR: BLACK  
 2. ALL DIMENSIONS ARE IN INCHES AND (MILLIMETERS)

SHEET 1 OF 2

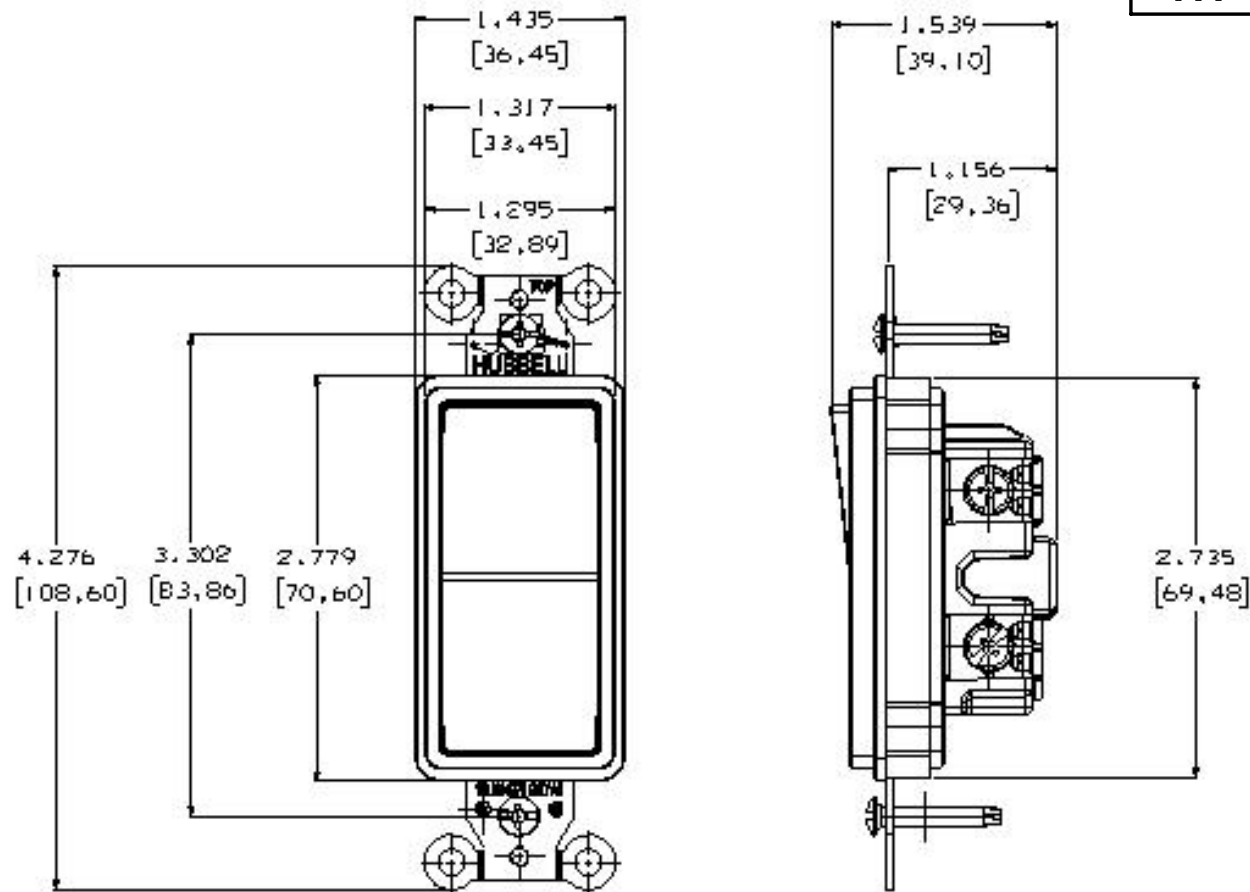
| SYM | REVISIONS                            | APP  | DATE     |
|-----|--------------------------------------|------|----------|
| 4   | SEE SHT 2 FOR CHANGES DCN23171. D.LI | D.LI | 06/16/17 |
| 3   | SEE SHT 2 FOR CHANGES DCN20216. MYA  | DJP  | 11/26/13 |
| 2   | SEE SHT 2 FOR CHANGES DCN16975       | C.Z  | 08/05/10 |
| 1   | RELEASE FOR PRODUCTION PER DCN16799  | C.Z  | 06/30/10 |

THE DESIGN AND DIMENSIONS OF THE PRODUCT SHOWN ON THIS DRAWING ARE SUBJECT TO CHANGE WITHOUT NOTICE

TITLE  
 COMMERCIAL GRADE  
 15A & 20A SNAP DECO SWITCH, HUBBELL

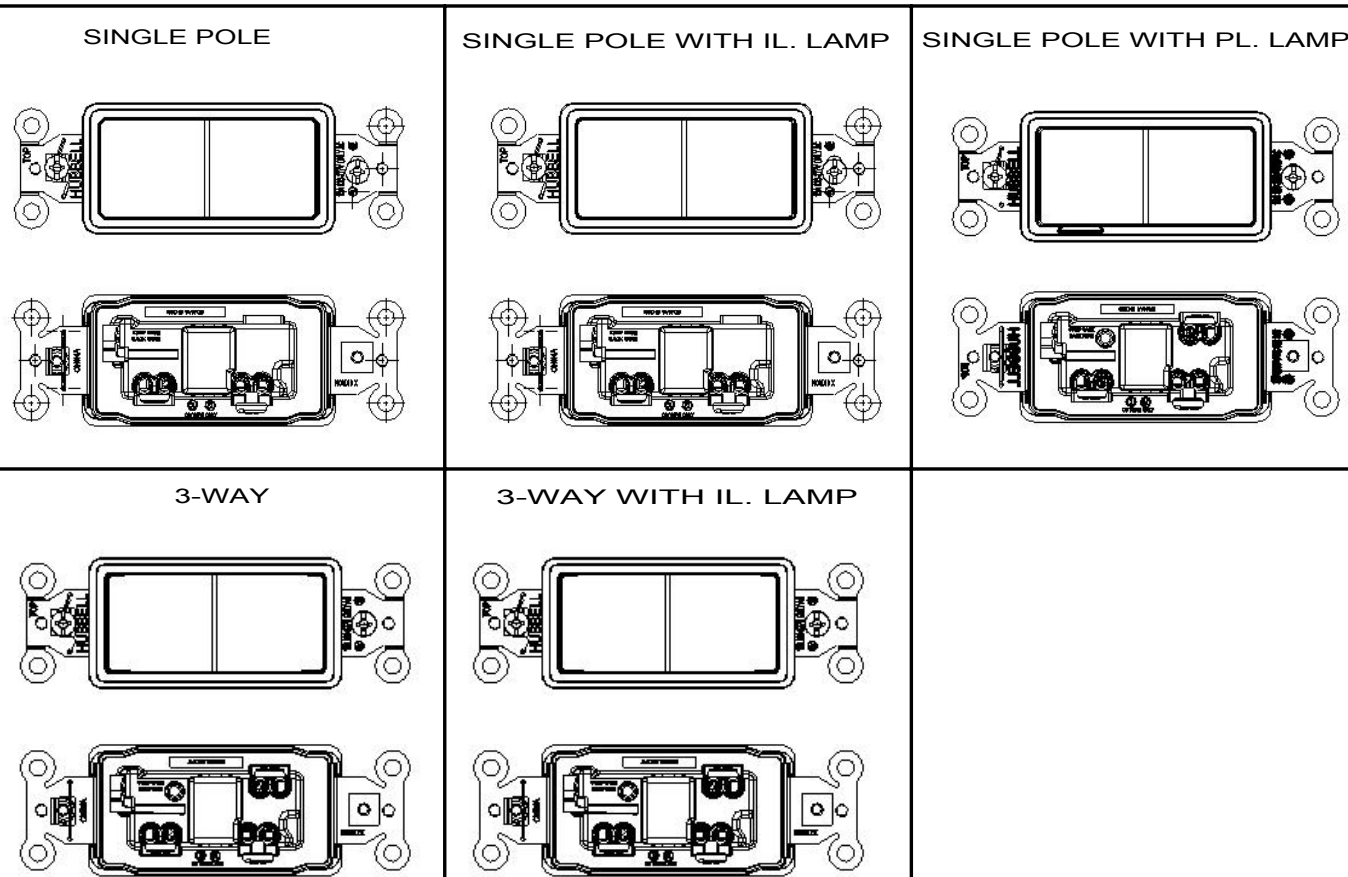
| TOLERANCES UNLESS OTHERWISE SPECIFIED | WIRING DEVICE-KELLEMS HUBBELL INCORPORATED BRIDGEPORT, CT |              |
|---------------------------------------|---|--------------|
| FRACTIONS ± 1/64                      | DR. BY F.Z  | APP. BY      |
| DECIMALS ± .005                       | TR. BY J.X  | SCALE        |
| ANGLES ± 2°                           | CHK'D BY C.Z  | DATE 6/30/10 |

# M-11059 4



| CATALOG NO. | RATING/TYPE                              | COLOR      |
|-------------|--|------------|
| DS115       | SWITCH, DECO SER, SP, 15A 120/277V, BR   | BROWN      |
| DS115I      | SWITCH, DECO SER, SP, 15A 120/277V, IV   | IVORY      |
| DS115GY     | SWITCH, DECO SER, SP, 15A 120/277V, GY   | GRAY       |
| DS115W      | SWITCH, DECO SER, SP, 15A 120/277V, WH   | WHITE      |
| DS115BK     | SWITCH, DECO SER, SP, 15A 120/277V, BK   | BLACK      |
| DS115OW     | SWITCH, DECO SER, SP, 15A 120/277V, OW   | OFFICE WHT |
| DS115AL     | SWITCH, DECO SER, SP, 15A 120/277V, AL   | ALMOND     |
| DS115LA     | SWITCH, DECO SER, SP, 15A 120/277V, LA   | LT ALMOND  |
| DS315       | SWITCH, DECO SER, 3W, 15A 120/277V, BR   | BROWN      |
| DS315I      | SWITCH, DECO SER, 3W, 15A 120/277V, IV   | IVORY      |
| DS315GY     | SWITCH, DECO SER, 3W, 15A 120/277V, GY   | GRAY       |
| DS315W      | SWITCH, DECO SER, 3W, 15A 120/277V, WH   | WHITE      |
| DS315BK     | SWITCH, DECO SER, 3W, 15A 120/277V, BK   | BLACK      |
| DS315OW     | SWITCH, DECO SER, 3W, 15A 120/277V, OW   | OFFICE WHT |
| DS315AL     | SWITCH, DECO SER, 3W, 15A 120/277V, AL   | ALMOND     |
| DS315LA     | SWITCH, DECO SER, 3W, 15A 120/277V, LA   | LT ALMOND  |
| DS120       | SWITCH, DECO SER, SP, 20A 120/277V, BR   | BROWN      |
| DS120I      | SWITCH, DECO SER, SP, 20A 120/277V, IV   | IVORY      |
| DS120GY     | SWITCH, DECO SER, SP, 20A 120/277V, GY   | GRAY       |
| DS120W      | SWITCH, DECO SER, SP, 20A 120/277V, WH   | WHITE      |
| DS120BK     | SWITCH, DECO SER, SP, 20A 120/277V, BK   | BLACK      |
| DS120OW     | SWITCH, DECO SER, SP, 20A 120/277V, OW   | OFFICE WHT |
| DS120AL     | SWITCH, DECO SER, SP, 20A 120/277V, AL   | ALMOND     |
| DS120LA     | SWITCH, DECO SER, SP, 20A 120/277V, LA   | LT ALMOND  |
| DS320       | SWITCH, DECO SER, 3W, 20A 120/277V, BR   | BROWN      |
| DS320I      | SWITCH, DECO SER, 3W, 20A 120/277V, IV   | IVORY      |
| DS320GY     | SWITCH, DECO SER, 3W, 20A 120/277V, GY   | GRAY       |
| DS320W      | SWITCH, DECO SER, 3W, 20A 120/277V, WH   | WHITE      |
| DS320BK     | SWITCH, DECO SER, 3W, 20A 120/277V, BK   | BLACK      |
| DS320OW     | SWITCH, DECO SER, 3W, 20A 120/277V, OW   | OFFICE WHT |
| DS320AL     | SWITCH, DECO SER, 3W, 20A 120/277V, AL   | ALMOND     |
| DS320LA     | SWITCH, DECO SER, 3W, 20A 120/277V, LA   | LT ALMOND  |
| DS120IL     | SWITCH, DECO SER, SP, 20A 120/277V, ILI  | IVORY      |
| DS120ILW    | SWITCH, DECO SER, SP, 20A 120/277V, ILW  | WHITE      |
| DS320IL     | SWITCH, DECO SER, 3W, 20A 120/277V, ILI  | IVORY      |
| DS320ILW    | SWITCH, DECO SER, 3W, 20A 120/277V, ILW  | WHITE      |
| DS320ILBK   | SWITCH, DECO SER, 3W, 20A 120/277V, ILBK | BLACK      |
| DS120ILR    | SWITCH, DECO SER, SP, 20A 120/277V, IL   | RED        |
| DS120ILLA   | SWITCH, DECO SER, SP, 20A 120/277V, IL   | LT ALMOND  |
| DS120PL     | SWITCH, DECO SER, SP, 20A 120/277V, PLIV | IVORY      |
| DS120PLBK   | SWITCH, DECO SER, SP, 20A 120/277V, PLBK | BLACK      |
| DS120PLW    | SWITCH, DECO SER, SP, 20A 120/277V, PLWH | WHITE      |
| DS120PLGY   | SWITCH, DECO SER, SP, 20A 120/277V, PLGY | GRAY       |
| DS120R      | SWITCH, DECO SER, SP, 20A 120/277V, RD   | RED        |
| DS320R      | SWITCH, DECO SER, 3W, 20A 120/277V, RD   | RED        |

| LIST OF PARTS       |               |               |
|---------------------|---------------|---------------|
| DESCRIPTION         | MATERIAL      | FINISH        |
| ROCKER              | THERMOPLASTIC | NONE          |
| TOP HOUSING         | THERMOPLASTIC | NONE          |
| BASE                | THERMOPLASTIC | NONE          |
| RUBBER INSERT       | ELASTOMER     | NONE          |
| RUBBER BUMPER       | ELASTOMER     | NONE          |
| DRIVE SCREW         | STEEL         | ZINC PLATED   |
| MOUNTING SCREW      | STEEL         | ZINC PLATED   |
| STRAP               | STEEL         | ZINC PLATED   |
| SPRING              | STEEL         | NONE          |
| STAPLE              | STEEL         | NONE          |
| BRUSH               | BRASS ALLOY   | BRIGHT DIP    |
| SILVER CONTACT      | SILVER ALLOY  | NONE          |
| COMMON TERMINAL     | BRASS ALLOY   | SILVER PLATED |
| SP STATIONARY TERM. | BRASS ALLOY   | BRIGHT DIP    |
| GROUND TERMINAL     | BRASS ALLOY   | BRIGHT DIP    |
| 3W STATIONARY TERM. | BRASS ALLOY   | BRIGHT DIP    |
| PVC WASHER          | PVC PLASTIC   | NONE          |
| BRUSH ACTUATOR      | STEEL         | ZINC PLATED   |
| LAMP-WIRE PIN       | BRASS ALLOY   | NONE          |
| LED LAMP            |               | NONE          |



**NOTE:**  
 1. BASE COLOR: BLACK  
 2. ALL DIMENSIONS ARE IN INCHES AND (MILLIMETERS)

| SYMBOL | REVISIONS   | APP  | DATE     |
|--------|---|------|----------|
| 4      | ADDED CATALOG NO. DS320ILBK PER DCN 23171. D.LI                     | D.LI | 06/16/17 |
| 3      | ADDED CATALOG NOS. DS120ILR, DS120ILLA AND SPECS PER DCN 20216. MYA | DJP  | 11/26/13 |
| 2      | ADDED CATALOG NOS. DS120PLBK/DS120PLW/ DS120PLGY PER DCN16975       | C.Z  | 08/05/10 |
| 1      | RELEASE FOR PRODUCTION PER DCN16799                                 | C.Z  | 06/30/10 |

THE DESIGN AND DIMENSIONS OF THE PRODUCT SHOWN ON THIS DRAWING ARE SUBJECT TO CHANGE WITHOUT NOTICE

**TITLE**  
 COMMERCIAL GRADE  
 15A & 20A SNAP DECO SWITCH, HUBBELL

| TOLERANCES UNLESS OTHERWISE SPECIFIED | WIRING DEVICE-KELLEMS HUBBELL INCORPORATED BRIDGEPORT, CT |              |
|---------------------------------------|---|--------------|
| FRACTIONS ± 1/64                      | DR. BY F.Z  | APP. BY      |
| DECIMALS ± .005                       | TR. BY J.X  | SCALE        |
| ANGLES ± 2°                           | CHK'D BY C.Z  | DATE 6/30/10 |

DIMENSION SHEET FOR CAT. NO. M-11059 4  
 REPAIRABLE  NON-REPAIRABLE