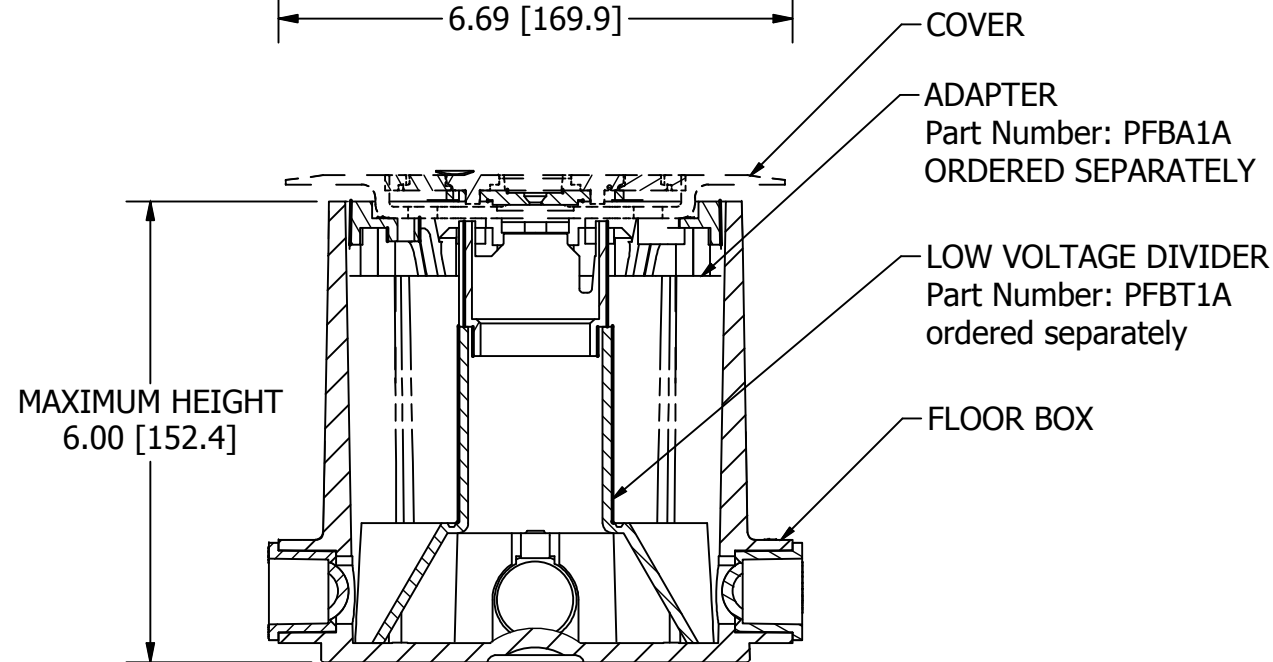
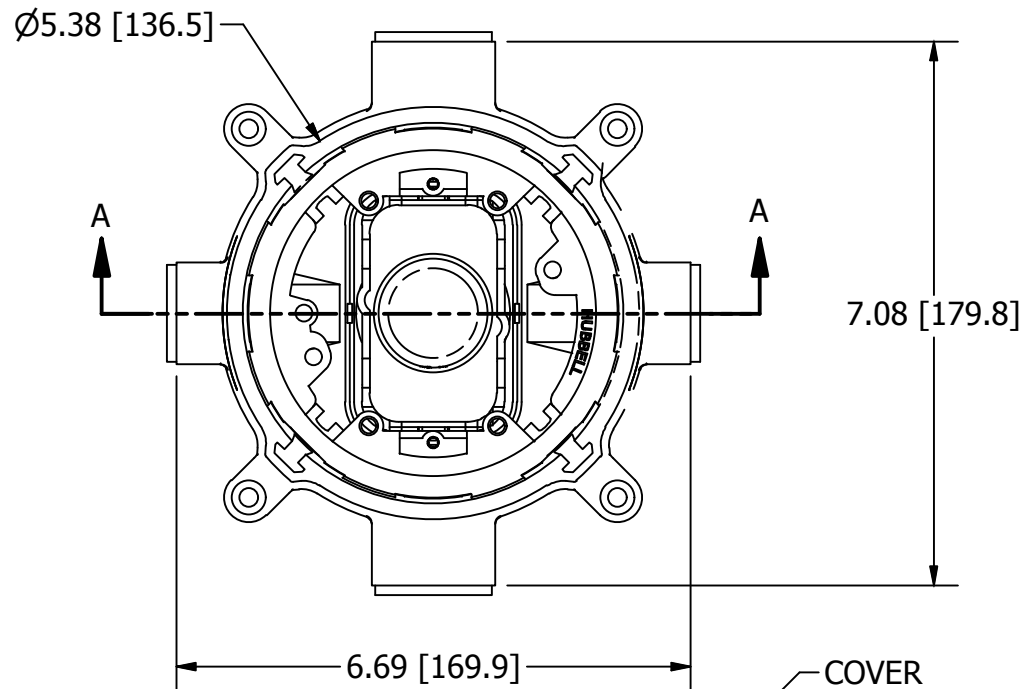
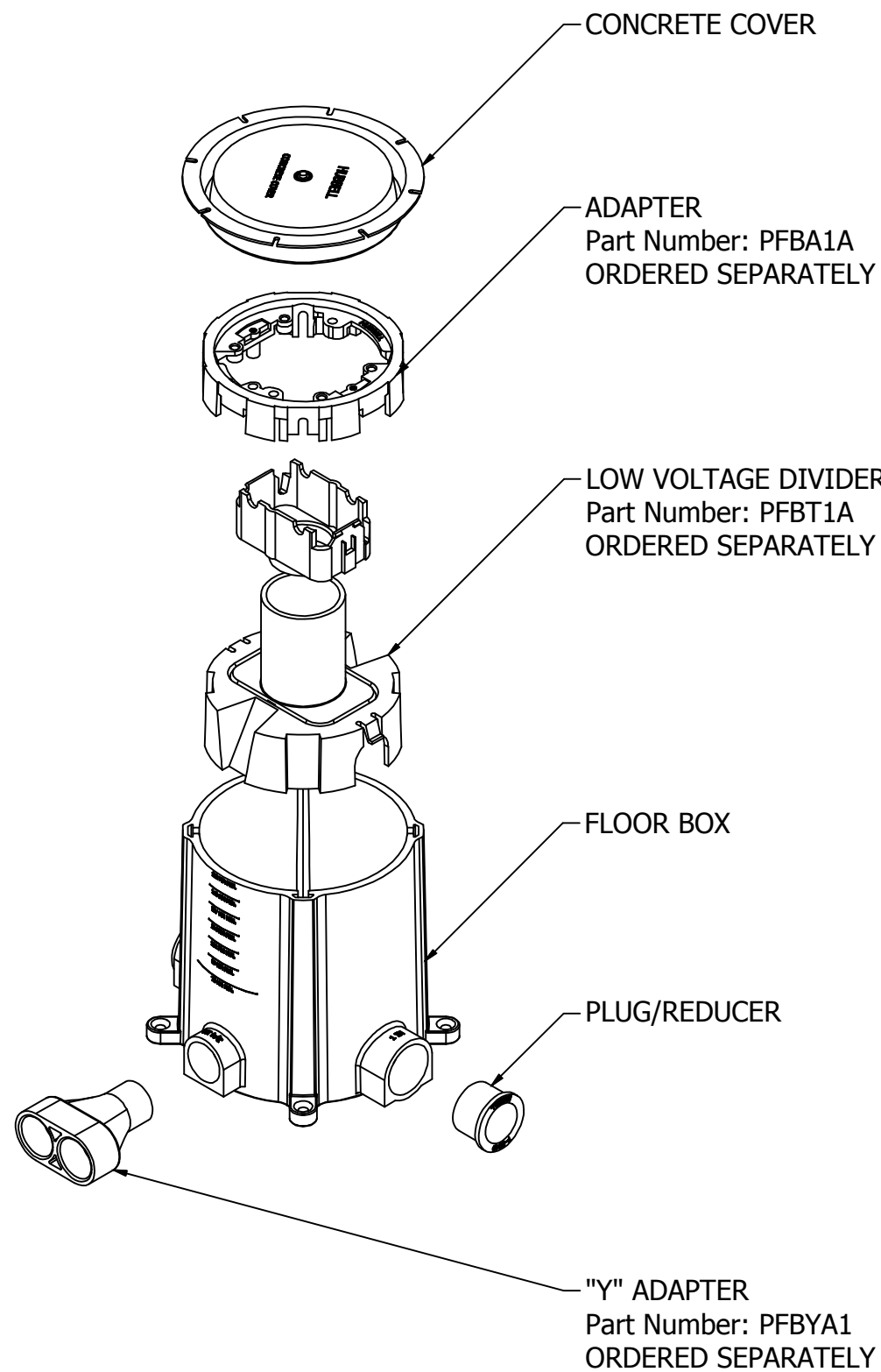


M-13155

1



SECTION A-A
THROUGH FLOOR BOX WITH COVER
ASSEMBLY INSTALLED AT MAXIMUM HEIGHT

NOTES:
1. PRODUCT IS UL & CSA LISTED.COMPLIES WITH UL 514A,
UL 514C AND CSA C22.2 NO. 85-14.

LIST OF PARTS

DESCRIPTION	MATERIAL	FINISH
FLOOR BOX	PVC	GRAY
PLUG/REDUCER	PVC	GRAY
ADAPTER	PVC	GRAY
LOW VOLTAGE DIVIDER	PVC	GRAY
CONCRETE COVER	POLYPROPYLENE	YELLOW
Y ADAPTER	PVC	GRAY

DIMENSION SHEET FOR CAT. NO. PFB1

1	INITIAL RELEASE. PER DCN 22067	DDL	04/18/16
REV	DESCRIPTION	APP	DATE

THE DESIGN AND DIMENSIONS OF THE PRODUCT SHOWN ON THIS DRAWING ARE SUBJECT TO CHANGE WITHOUT NOTICE. DIMENSIONS ARE IN INCHES [mm].

TITLE
ROUND NON-METALLIC FLOOR BOX FAMILY



WIRING DEVICE-KELLEMS
HUBBELL INCORPORATED
SHELTON, CT

TOLERANCES UNLESS OTHERWISE SPECIFIED .XX = ± .01 .XXX = ± .005 ANGLE TOL. ±2'	DR. BY	SCALE	NONE
	CHK. BY DDL	DATE	04/15/16

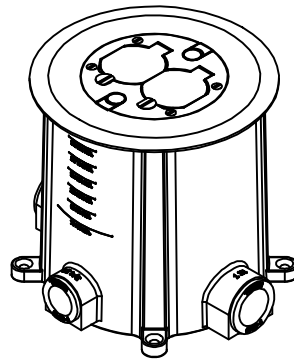
B

M-13155

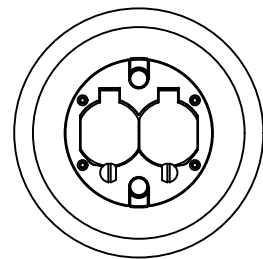
1

M-13155

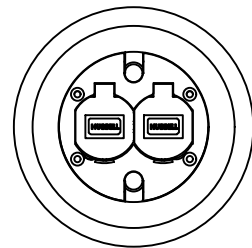
1



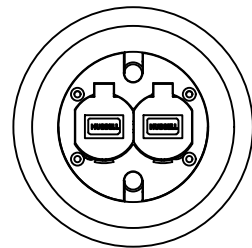
PFB1
NON-METALLIC FLOOR BOX
(COVER SOLD SEPARATELY)



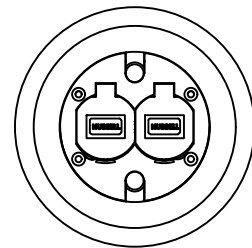
SF39253A
BRASS



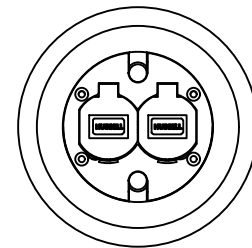
PFBCBRA
BROWN NON-METALLIC



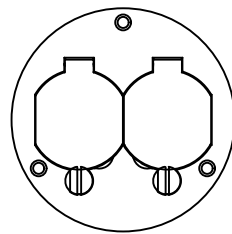
PFBCBLA
BLACK NON-METALLIC



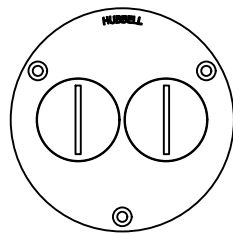
PFBCGYA
GRAY NON-METALLIC



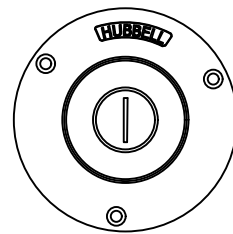
PFBCIA
IVORY NON-METALLIC



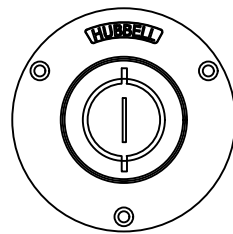
S3925
SA3925



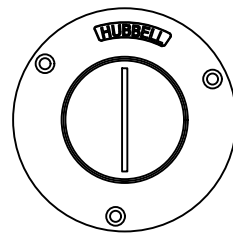
S3725
SA3725



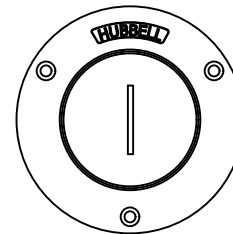
S2525
SA2525



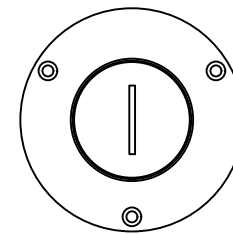
S2725
SA2725



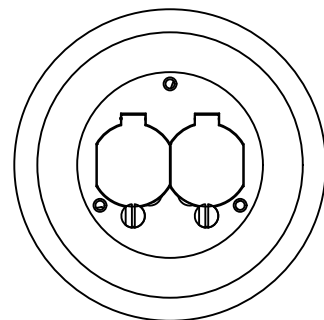
S2925
SA2925



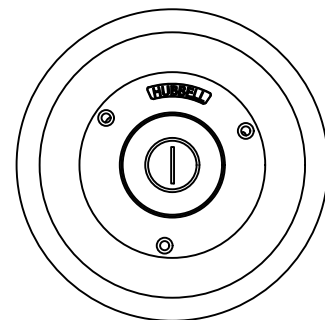
S3525



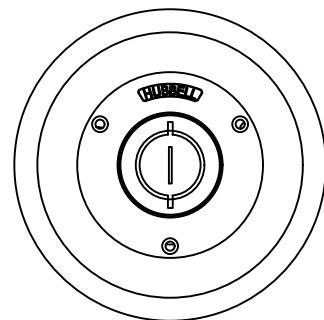
S3325



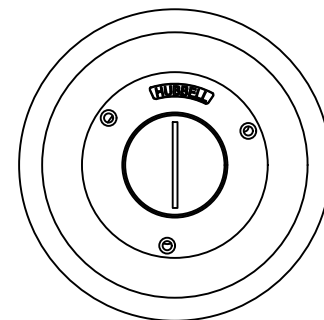
SF3925



SF2525



SF2725



SF2925

NOTE:
1. ADAPTER RING, PFBA1A, IS REQUIRED FOR MOUNTING ALL COVERS.

CAGE CODE 74545

SHEET 2 OF 2

LIST OF PARTS

DESCRIPTION	MATERIAL	FINISH
SEE SHEET 1		

DIMENSION SHEET FOR CAT. NO. PFB1

1	INITIAL RELEASE. PER DCN 22067	DDL	04/18/16
REV	DESCRIPTION	APP	DATE

THE DESIGN AND DIMENSIONS OF THE PRODUCT SHOWN ON THIS DRAWING ARE SUBJECT TO CHANGE WITHOUT NOTICE. DIMENSIONS ARE IN INCHES [mm].

TITLE
ROUND NON-METALLIC FLOOR BOX FAMILY



WIRING DEVICE-KELLEMS
HUBBELL INCORPORATED
SHELTON, CT

TOLERANCES UNLESS OTHERWISE SPECIFIED
.XX = ±.01
.XXX = ±.005
ANGLE TOL. ±2°

DR. BY
CHK. BY DDL

SCALE NONE
DATE 04/15/16

B

M-13155

1