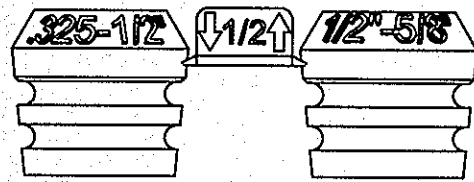
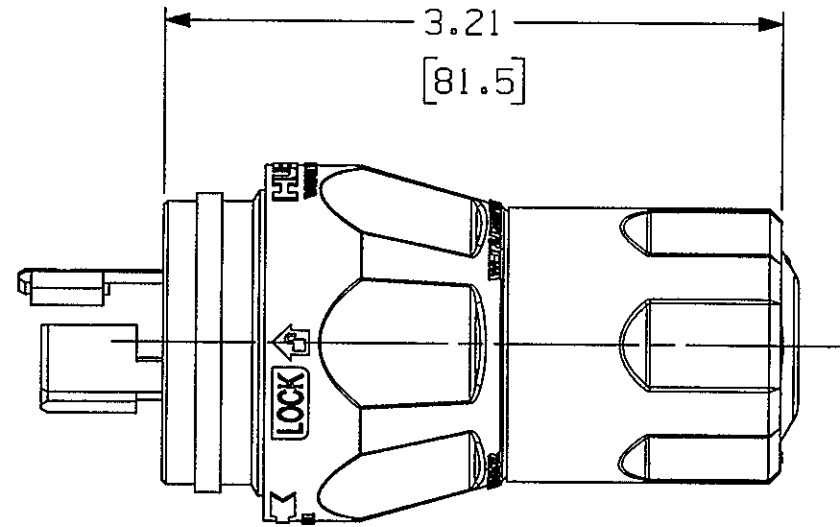
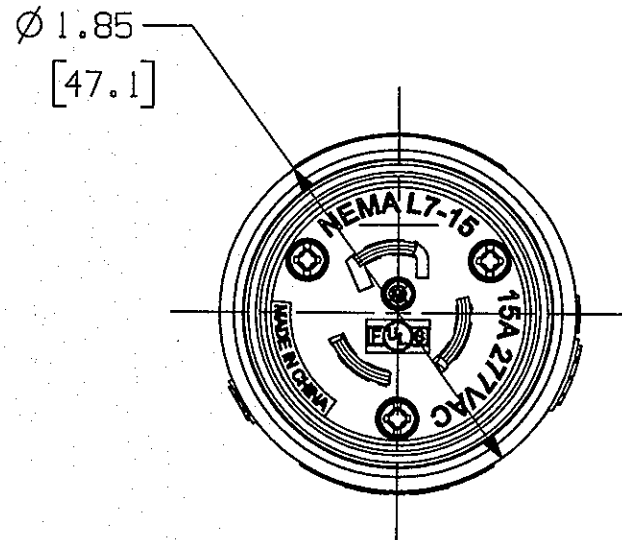
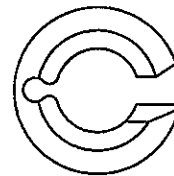


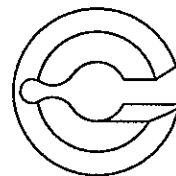
M-12623 3



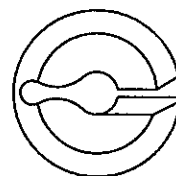
BUSHINGS



BLUE

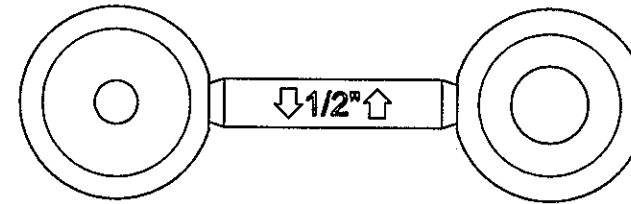


WHITE



BLACK

GOTCHA RINGS



CONE SEALS

CATALOG NO.	HBL24W47A	HBL24W49	HBL24W34
NEMA CONFIG			
	L5-15P	L6-15P	L7-15P
RATING	15A, 125V	15A, 250V	15A, 277VAC
POLES/WIRES	2P/3W GROUNDING	2P/3W GROUNDING	2P/3W GROUNDING

- NOTES:
- DIMENSIONS SHOWN ARE TYPICAL. DIMENSION UNITS: INCHES [mm].
 - DEVICES ARE UL LISTED PER UL 498.
 - DEVICES ARE CSA CERTIFIED PER CSA C22.2 NO.42.
 - DEVICES ARE UL VERIFIED WITH THE CONSTRUCTION & PERFORMANCE REQUIREMENTS OF FEDERAL SPECIFICATION W-C-596H.
 - TWO STRAIN RELIEF BUSHINGS ACCOMMODATE ROUND CORD TYPES S & SJ: 16/3 SJ TO 10/3 SJ, 18/3 S TO 12/3 S, ϕ 0.325 TO ϕ 0.625", (ϕ 8.3 TO ϕ 15.9 mm).
 - CERTAIN DEVICES AVAILABLE IN BLACK.
 - THIS PRODUCT HAS BEEN TESTED TO NEMA ENCLOSURE TYPES 3R, 3RX, 4, 4X, 6, 6P, 12, & IEC CLASSIFICATION IP67 WHEN MATED WITH AN EQUIVALENT RATED WATERTIGHT DEVICE. WARNING! RISK OF ELECTRICAL SHOCK. DO NOT SUBMERGE. THE ENCLOSURE RATINGS 6, 6P & IP67 OF THIS PRODUCT ARE ONLY INTENDED TO DEMONSTRATE SUPERIOR RESISTANCE TO WATER INGRESS AND NOT FOR SUBMERSION.

LIST OF PARTS

DESCRIPTION	MATERIAL	FINISH
PLUG FACE	NYLON	WHITE
TERMINAL COVER	POLYCARB.	CLEAR
BLADES	BRASS	NICKEL
TERMINAL SCREWS	BRASS	NONE/NICKEL/GREEN
ASSEMBLY SCREWS	SS	
SHELL BODY	TPE	YELLOW/BLACK
SHELL INSERT	NYLON	NATURAL
NUT	PBT	GRAY/BLACK
BUSHINGS	ELASTOMER	BLACK
GOTCHA RING	NYLON	
CONE SEAL	ELASTOMER	BLACK

DIMENSION SHEET FOR CAT. NO.

SEE TABLE

REPAIRABLE

NON-REPAIRABLE

B

M-12623

3

3	LIST OF PARTS FINISH GRAY/BLACK WAS GRAY. PER DCN 21968 SPN	DJP	3/8/16
2	REVISED NOTES & LIST OF PARTS PER DCN 20803 MAM	TLS	10/27/2014
1	INITIAL RELEASE PER DCN 20391 WRV	TLS	06/2014
SYM	REVISIONS	APP	DATE

THE DESIGN AND DIMENSIONS OF THE PRODUCT SHOWN ON THIS DRAWING ARE SUBJECT TO CHANGE WITHOUT NOTICE

TITLE
WATERTIGHT PLUGS
CUSTOMER DRAWING

TOLERANCES UNLESS OTHERWISE SPECIFIED	WIRING DEVICE-KELLEMS HUBBELL INCORPORATED SHELTON, CT	
.XX = ±.01	DR. BY WRV	APP. BY TLS
.XXX = ±.005	TR. BY	SCALE 1:1
ANGLES = ±2°	CHK. BY TLS	DATE 06/2014