

Features and Benefits

Dual Function AFCI/GFCI Receptacles

- Cost effective solution conveniently located within living space; clearly visible, easily resettable if necessary
- Dual functionality, interrupts power if a ground fault or arc fault is detected
- Safety feature prevents device from resetting if it can no longer provide protection or is reverse wired
- Intuitive visual indication is provided for power (LED green ON); trip condition (LED green OFF)
- Clear indication if unit can no longer provide protection (LED red flashes) and will not reset



Dual Function AFCI/GFCI Receptacles

Rating	Color	Standard	Rating	Color	Standard
 15A 125V NEMA 5-15R UL CSA 0.5 HP	Black	AFGF15TRBK	 20A 125V NEMA 5-20R UL CSA 1 HP	Black	AFGF20TRBK
	Brown	AFGF15TR		Brown	AFGF20TR
	Gray	AFGF15TRGY		Gray	AFGF20TRGY
	Ivory	AFGF15TRI		Ivory	AFGF20TRI
	Light Almond	AFGF15TRLA		Light Almond	AFGF20TRLA
White	AFGF15TRW	White	AFGF20TRW		

Specifications

Ratings

Amperage	15 Amp/20 Amp
Feed-thru	20 Amp Protection
Voltage	120V AC (+10% to -15%) (102V to 132V)
Horsepower	(1) @ 120V AC
Flammability	Rated V2 per UL 94
Operating Temperature	(-35°C to 66°C) or (-30°F to 150°F)

Certifications

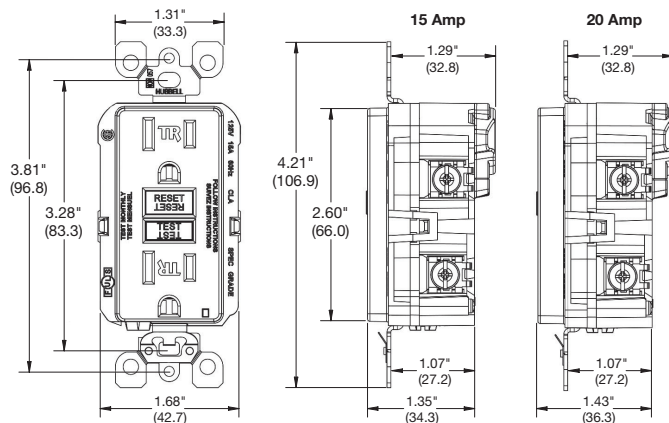
UL1699A	E485931
UL498	Receptacle
UL943	GFCI
UL Fed Spec	WC-596
CSA Standard	C22.2 No. 42
CSA Tech	Letter No. M-02A
NEMA	WD-6

Construction

Termination	Back and Side
Terminal	#14-10 AWG
Grounding	Autoground Clip
Indicators	Power, Trip, End of Life
Configuration	2 Pole, 3 Wire
NEMA	5-15R, 5-20R

Note: All Hubbell "AFGF" series GFCI receptacles are furnished with a matching color thermoplastic wallplate.

Product Dimensions



Dimensions in Inches (mm)