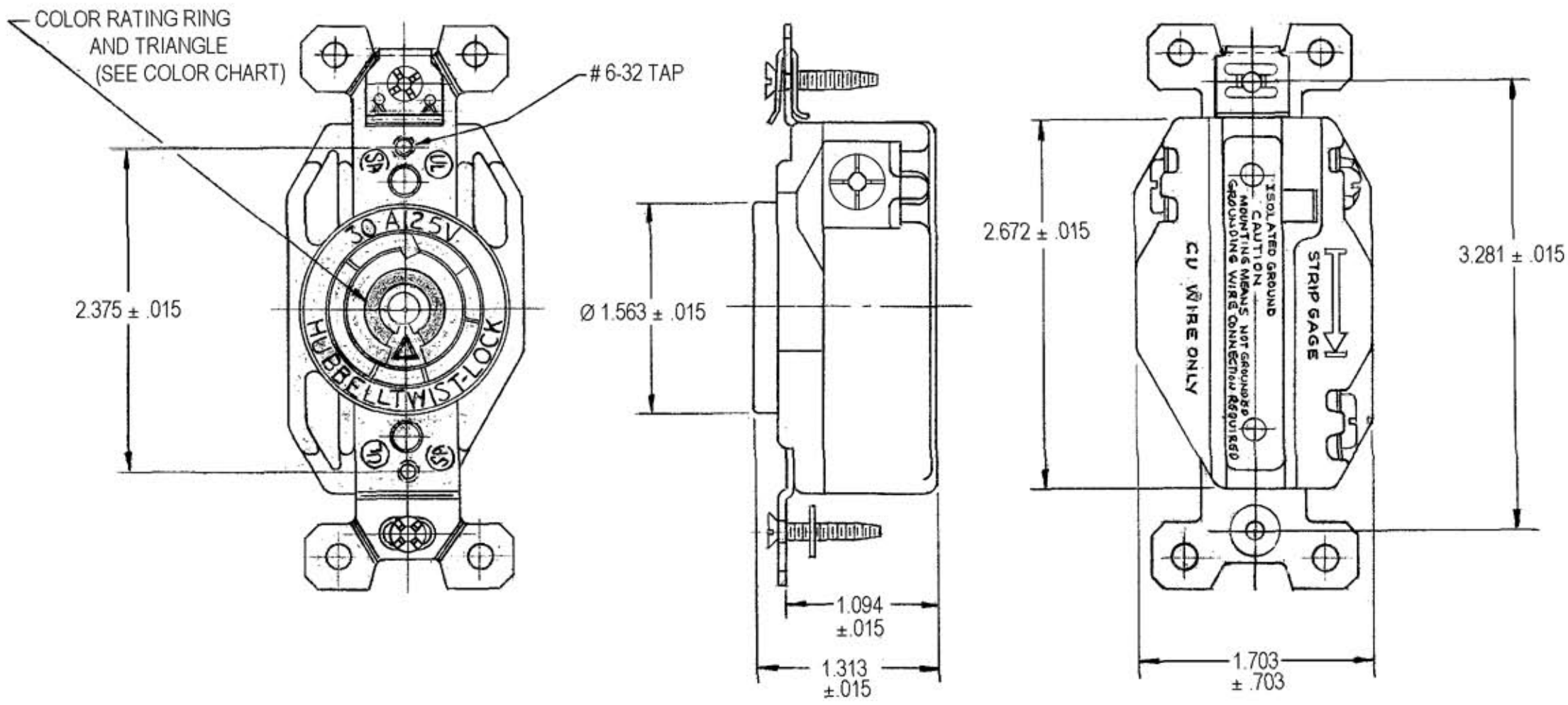


M-6459 3



CAT. NO.	CONFIGURATION	RATING	COLOR	
			RATING RING	△
1G-2610	NEMA L5-30R	30A.125V.	YELLOW	YELLOW
1G-2620	NEMA L6-30R	30A.250V.	BLUE	BLUE

DESCRIPTION	MATERIAL	FINISH
BASE	POLYESTER	TAN
COVER	NYLON	ORANGE
CONTACT SPRINGS	.040 BRASS	
CLAMP	.040 BRASS	
RIVET	BRASS	
BINDING SCREWS	BRONZE	*
HEX. HD. BIND. SCR.	BRONZE	GREEN
BACK PLATE	.040 BRASS	
END PLATES	.050 BRASS	
GROUND CLIP	.010 S.S.T.	
FLAT HD. SCREW	STEEL	
WASHER	.031 FIBRE	RED

* WHITE FINISH ON NEUTRAL SCREW WHEN USED.

SYM	REVISIONS	APP	DATE
3	CONVERTED ALL DIMS TO 3 PL DECIMAL & TOL ADDED PER DCN #7772. AMZ DB		6-28-00
2	BASE GROUND CLIP FINISH CHD CAT # REMOVED IN EC 7252		10-3-99
1	CONTACT SPRING MATL. WAS .040 BRASS ALL		8-6-86

TITLE
30A. 2-POLE 3-WIRE
TWIST-LOCK RECEPTACLE
WITH ISOLATED GROUND

TOLERANCES UNLESS OTHERWISE SPECIFIED
 FRACTIONS ± 1/64
 DECIMALS ± .005
 ANGLES ± 2°

HARVEY HUBBELL, INC.
 BRIDGEPORT, CONN.
 DR. BY A.J.L. APP. BY _____
 TR. BY _____ SCALE FULL
 CHK'D. BY _____ DATE 10-9-85

CODE 74545

DIMENSION SHEET FOR CAT. NO. SEE TABLE
 REPAIRABLE NON-REPAIRABLE
B
M-6459
3