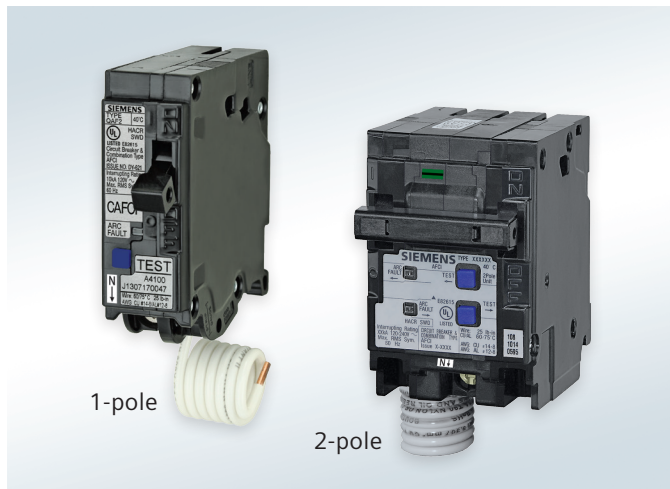


1 & 2 Pole Combination Type Arc-Fault Circuit Interrupters (CAFCI)

Plug-in and Bolt-on



Features

- Available in 1 & 2 Pole, 15A & 20A
- New and improved electronics
- 1/4" more wiring bend space than our previous design
- Both lugs at the same angle - for easier wiring
- Plug-in or bolt-on branch circuit breakers for Siemens single phase load centers or panelboards
- LED trip indicator – a Siemens exclusive!
- Available with interrupting rating of 10kA, 22kA or 65kA
- UL Listed
- Ratings:
 - HACR
 - SWD
- 120 Volts AC
- Wire range:
 - #14 – #8 AWG Cu
 - #12 – #8 AWG Al
- Torque rating: 25 lb. in.

1-Pole Plug-in Arc-Fault Circuit Interrupters

Catalog Number	Ampere Rating	Interrupting Rating	UI Type
QA115AFC	15	10kA	QAF2
QA120AFC	20	10kA	
QA115AFCH	15	22kA	QAFH2
QA120AFCH	20	22kA	
QA115AFCHH	15	65kA	HQAF2
QA120AFCHH	20	65kA	

1-Pole Bolt-on Arc-Fault Circuit Interrupters

Catalog Number	Ampere Rating	Interrupting Rating	UI Type
BA115AFC	15	10kA	BAF2
BA120AFC	20	10kA	
BA115AFCH	15	22kA	BAFH2
BA120AFCH	20	22kA	
BA115AFCHH	15	65kA	HBAF2
BA120AFCHH	20	65kA	

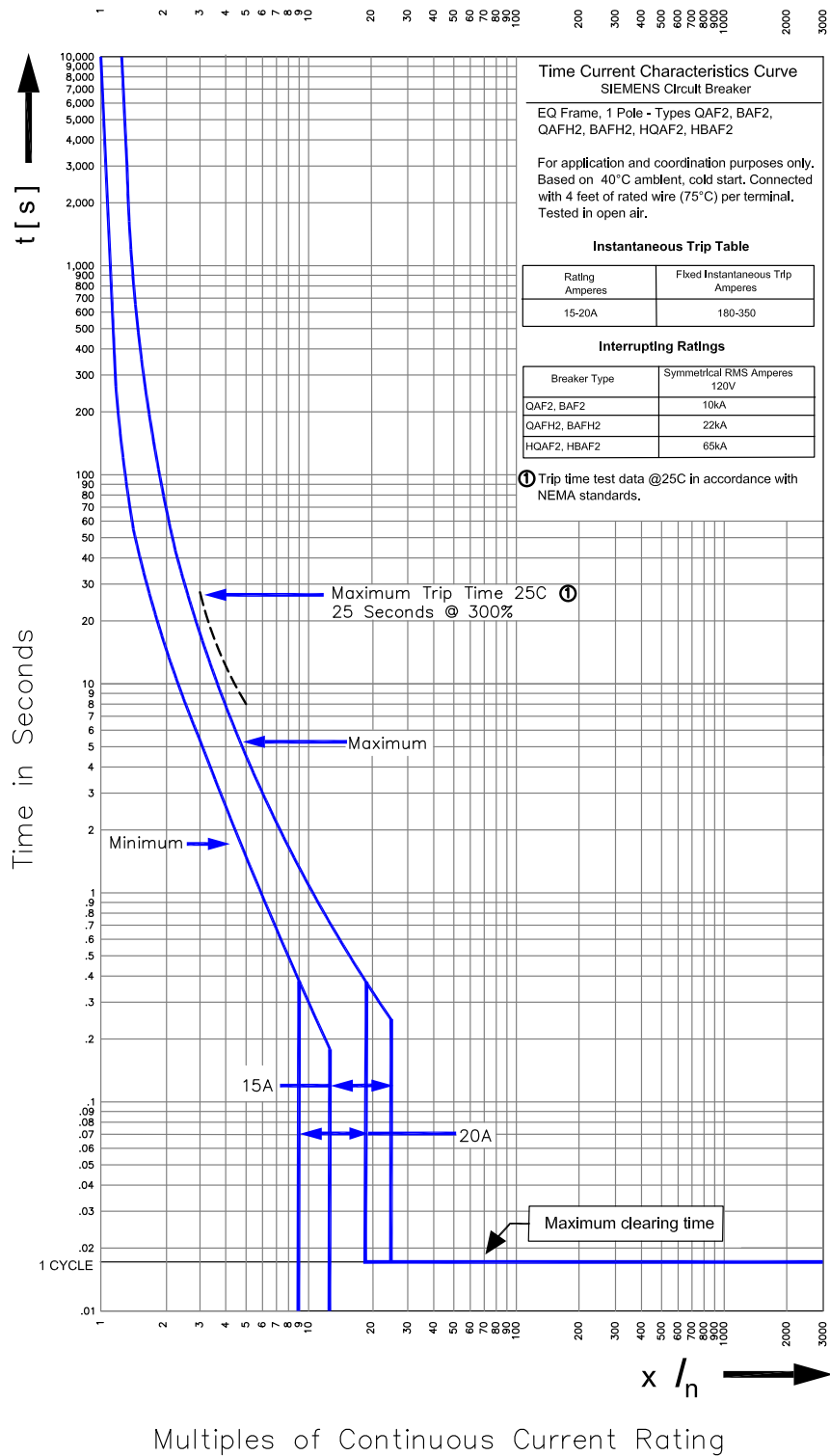
2-Pole Plug-in Arc-Fault Circuit Interrupters

Catalog Number	Ampere Rating	Interrupting Rating	UI Type
Q215AFC	15	10kA	QAF
Q220AFC	20	10kA	
Q215AFCH	15	22kA	QAFH
Q220AFCH	20	22kA	

2-Pole Bolt-on Arc-Fault Circuit Interrupters

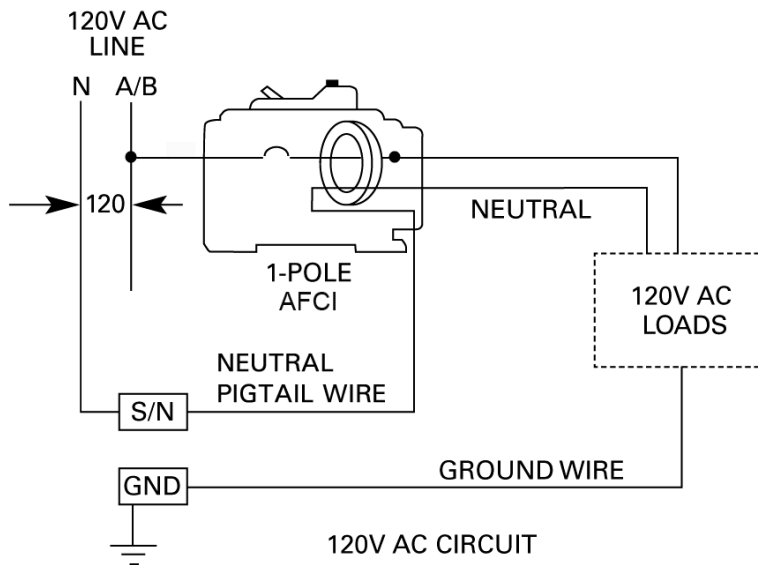
Catalog Number	Ampere Rating	Interrupting Rating	UI Type
B215AFC	15	10kA	BAF
B220AFC	20	10kA	
B215AFCH	15	22kA	BAFH
B220AFCH	20	22kA	

Time Current Characteristic Curves

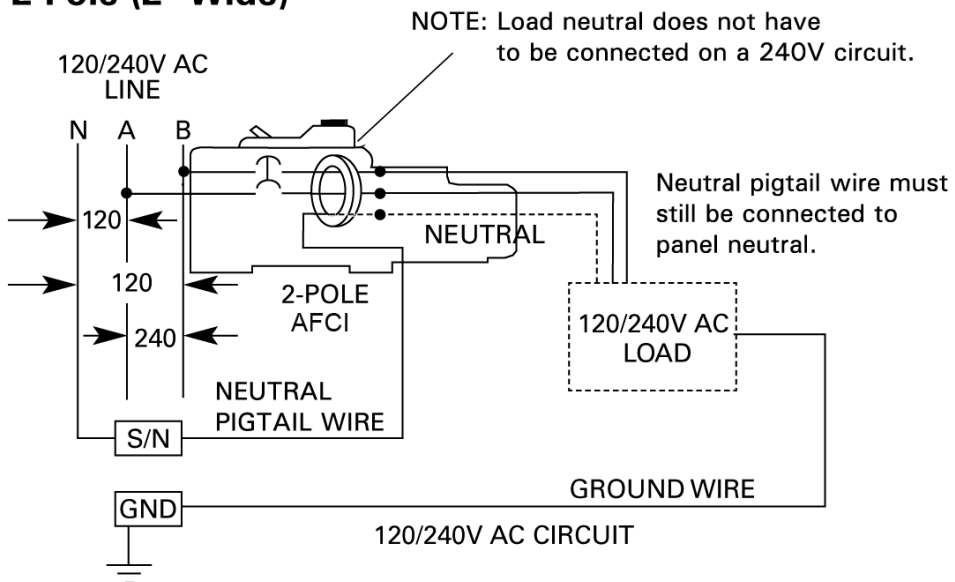


Wiring Diagrams

1-Pole (1" Wide)

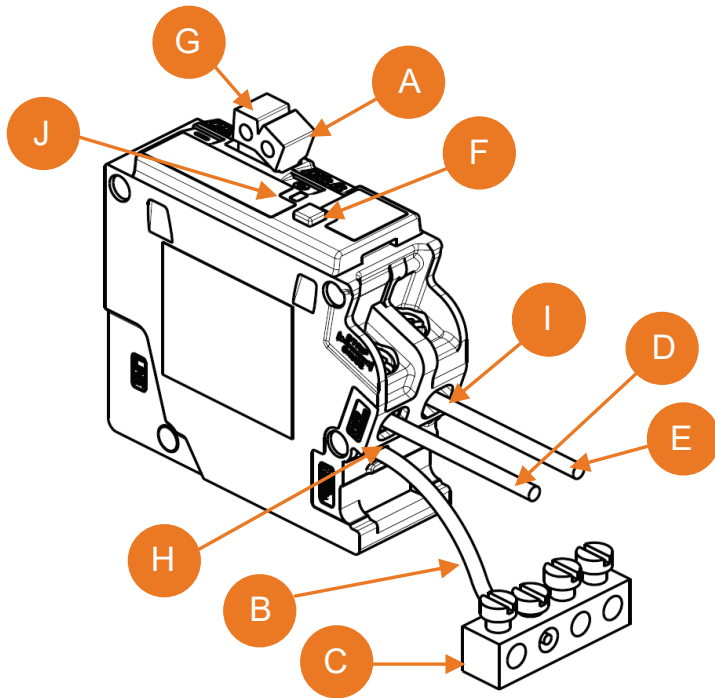


2-Pole (2" Wide)

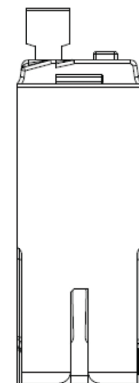
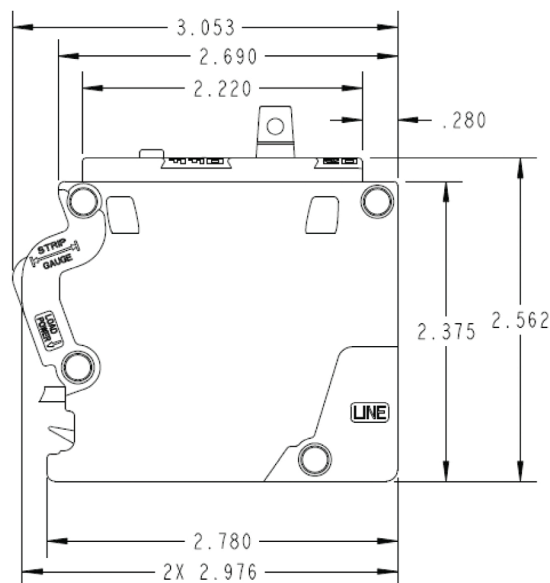
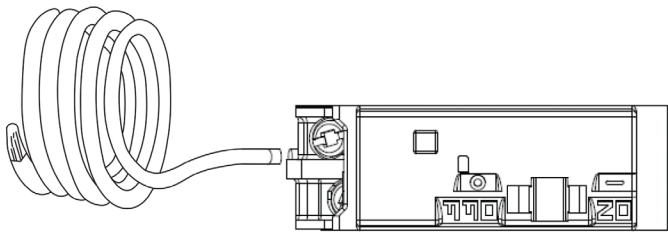


Dimensions

1 Pole

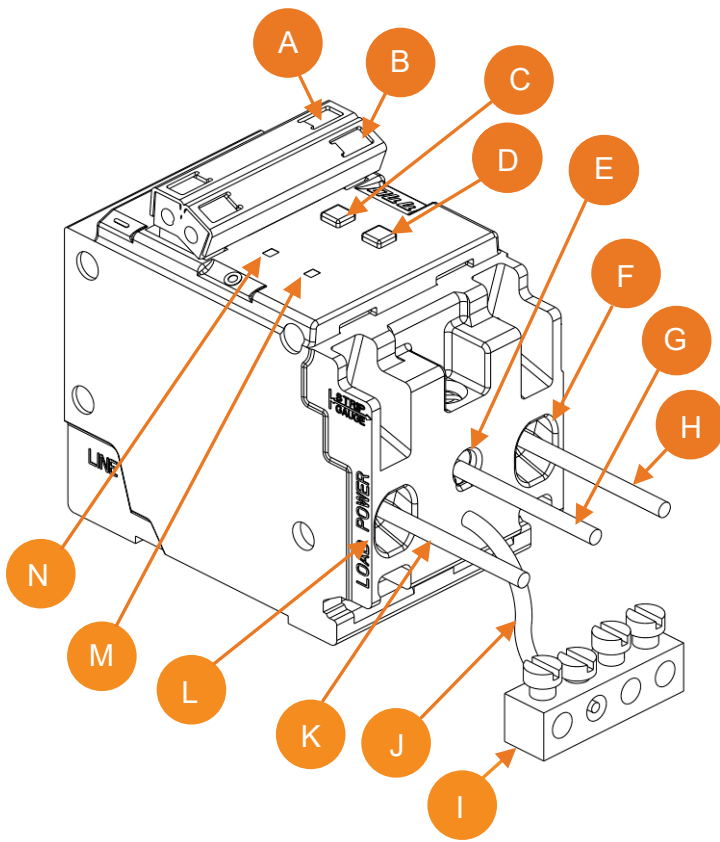


A	Breaker handle
B	Neutral (pig-tail) wire
C	Panel neutral
D	Load neutral wire
E	Load power wire
F	Blue test button
G	Handle tripped center position
H	Neutral terminal
I	Load terminal
J	1 yellow LED

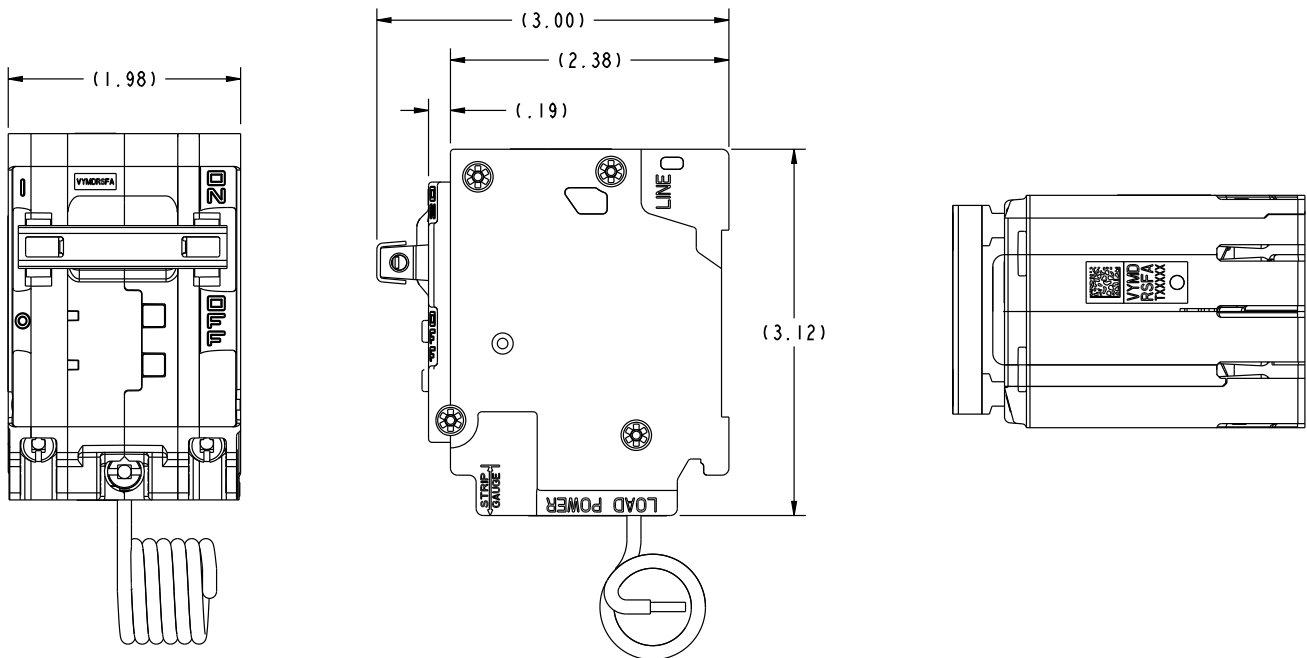


Dimensions

2 Pole



A	Handle tripped center position
B	Breaker handle
C	Blue test button
D	Blue test button
E	Neutral terminal
F	Load terminal
G	Load neutral wire
H	Load power wire
I	Panel neutral
J	Neutral (pig tail) wire
K	Load power wire
L	Load terminal
M	LED trip indicator
N	LED trip indicator



**Published by
Siemens 2018**

Siemens Industry, Inc.
5400 Triangle Parkway
Norcross, GA 30092

Siemens Technical Support: 1-800-333-7421
info.us@siemens.com

Order No. RPFL-SAFC2-0418-CP

Printed in USA
All Rights Reserved
© 2018, Siemens Industry, Inc.
usa.siemens.com/afci

The technical data presented in this document is based on an actual case or on as-designed parameters, and therefore should not be relied upon for any specific application and does not constitute a performance guarantee for any projects. Actual results are dependent on variable conditions. Accordingly, Siemens does not make representations, warranties, or assurances as to the accuracy, currency or completeness of the content contained herein. If requested, we will provide specific technical data or specifications with respect to any customer's particular applications. Our company is constantly involved in engineering and development. For that reason, we reserve the right to modify, at any time, the technology and product specifications contained herein.