

Catalog Number
Notes
Type

FEATURES & SPECIFICATIONS

INTENDED USE — The adjustable LED Gimbal downlighting module is 80% more efficient than incandescent luminaires, performing for 35,000 hours or more with exceptional energy efficiency and near zero maintenance. Multiple trim finish options are available to pick the style that matches the décor for any office or home. The LED Gimbal is intended for sloped ceiling applications, grazing textured surfaces, wall washing, and highlighting artwork or other architectural features. Retrofits into most existing recessed downlighting installations or new construction and remodel applications.

CONSTRUCTION — Spun steel gimbal reflectors with 180° of rotation and at least 35° of adjustable tilt in both directions. Driver affixed to a static yoke to allow maximization of LED light engine rotation and pivot movements.

OPTICS — Diffused lens at end of mixing chamber to provide even light distribution for general illumination, equivalent to 50W incandescent flood lamp.

Wide flood beam angle at >90°. Utilizes 3000 K color temperature LEDs. CRI – 80+. The LED module maintains at least 70% light output for 35,000 hours.

ELECTRICAL — Primary power disconnect provided for simple connection to a dedicated LED connector in the housing. Dimming down to 15%. For compatible dimmers, refer to [Compatible Dimmers Chart](#).

Standard input wattage is 7.9 watts, 55 lumens per watt; equivalent to 50-watt incandescent.

INSTALLATION — Suitable for installation in standard height rough-in sections. E26 socket adaptor and splice kit ships standard. This enables easy installation or permanent conversion to an LED source for Title 24 compliance. Includes three friction clips to ensure easy installation.

LISTINGS — CSA certified to US and Canadian safety standards. ENERGY STAR® certified; California T24 compliant. Damp location listed.

WARRANTY — 5-year limited warranty. Complete warranty terms located at www.acuitybrands.com/CustomerResources/Terms_and_conditions.aspx

Note: Actual performance may differ as a result of end-user environment and application.

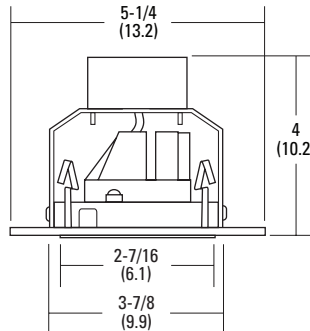
All values are design or typical values, measured under laboratory conditions at 25 °C.

Specifications subject to change without notice.

Specifications

Aperture:	2-7/16 (6.1)
Ceiling opening:	as rough-in
Length:	3-7/8 (9.9)
Height:	4 (10.2)
Overlap trim:	5-1/4 (13.2)

All dimensions are inches (centimeters) unless otherwise indicated.



4G1

IC/Non-IC
Retrofit Gimbal



Matte Black

Brush Nickel

Oil Rubbed Bronze



E26 Adaptor (included)



Hardwire Kit (included)

ORDERING INFORMATION

For shortest lead times, configure product using **standard options (shown in bold)**.

Example: 4G1MW LED L3LED T24

4G1		LED									
Series/Finish		Lamp/Lumens ¹		Color temperature		Voltage		Options			
4G1	4" Gimbal module	MW	Matte white	LED	435 lumens, 7.9 watts	(blank)	3000 K	(blank)	120V	L3LED T24	IC/Non-IC rated, new construction rough-in LED base
		MB	Matte black							L3RLED T24	IC/Non-IC rated, remodel rough-in LED base
		BN	Brush nickel							L3	IC/Non-IC rated, new construction rough-in ^{2,3}
		ORB	Oil-rubbed bronze							L3R	IC/Non-IC rated, remodel rough-in ^{2,3}

Notes

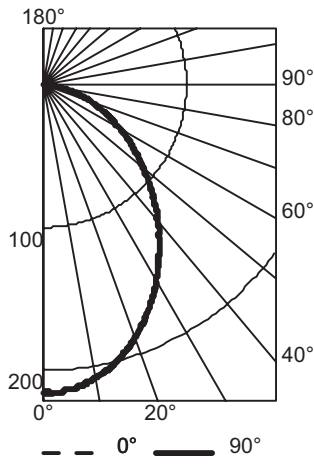
- Total system delivered lumens.
- Must be ordered on a separate line.
- To install LED Gimbal, remove socket and assembly leaving socket wires. Install using hardwire kit provided.

4G1 4" LED Gimbal Module

PHOTOMETRICS

Distribution Curve Distribution Data Output Data Coefficient of Utilization Illuminance Data at 30" Above Floor for a Single Luminaire

4G1MW LED, 3000 K LEDs, input watts: 8.4, delivered lumens: 475, LM/W=56, test no. LTL23566, tested in accordance with IESNA LM 79-80.



CP Summary

	0°	90°
0°	216	216
5°	215	214
15°	201	200
25°	175	174
35°	142	141
45°	108	107
55°	77	76
65°	49	48
75°	25	24
85°	5	4
90°	0	0

Coefficients of Utilization

R.C.R.	pf	20%								
		80%			70%			50%		
	pc	pw	70%	50%	30%	30%	10%	50%	30%	10%
0		119	119	119	116	116	116	111	111	111
1		110	105	101	103	99	96	99	96	93
2		100	93	86	91	85	80	87	83	78
3		92	82	75	81	74	68	78	72	67
4		85	74	65	72	64	58	70	63	58
5		78	66	58	65	57	51	63	56	51
6		73	60	51	59	51	45	57	50	45
7		68	55	46	54	46	40	52	45	40
8		63	50	42	49	42	36	48	41	36
9		59	46	38	46	38	33	44	38	33
10		56	43	35	42	35	30	41	35	30

Zonal Lumen Summary

Zone	Lumens	% Lamp	% Fixture
0° - 30°	157	33.0	33.0
0° - 40°	245	51.6	51.6
0° - 60°	397	83.5	83.5
0° - 90°	475	100.0	100.0
90° - 180°	0	0.0	0.0
0° - 180°	475	100.0	100.0

ENERGY DATA*	
Lumens	435
CRI	80
Min. starting temp	-18°C (0°F)
EMI/RFI	FCC Title 47 CFR, Part 15, Class A
Sound rating	Class A standards
Input voltage	120V
Min. power factor	0.80
Input frequency	50/60 Hz
Rated wattage	7.9W
Input power	7.9W
Input current	0.08A

*Values at non-dimming line voltage.

Lithonia Lighting

LED lighting facts
A Program of the U.S. DOE

Light Output (Lumens) 435
Watts 7.9
Lumens per Watt (Efficacy) 55

Color Accuracy
Color Rendering Index (CRI) 83

Light Color
Correlated Color Temperature (CCT) 3000 (Bright White)

2700K 3000K 4500K 6500K

Warranty** Yes

All results, except LED Lumen Maintenance, are according to IESNA LM-79-2008: Approved Method for the Electrical and Photometric Testing of Solid-State Lighting. The U.S. Department of Energy (DOE) verifies product test data and results.

** See www.lightingfacts.com/products for details.

Registration Number: JB22-ZCY2NM (6/18/2013)
Model Number: 4G1 (Updated 5-14-13)
Type: Recessed downlight