

MODEL SLIM4GIM-5CCT



HIGHLIGHTS

- 4" 5 adjustable CCT gimbal downlight with 30° tilt; made of high quality steel material
- No housing required — Type IC, air tight & damp location rated
- Easy & fast installation — install directly into ceiling with clips
- Class 2 transformer in junction box is included
- High brightness, low power consumption, energy efficient (up to 80% energy savings)

MOUNTING

- Ceiling clearance required: > 2"
- Cut hole in ceiling and snap fixture in Opening with attached spring clips

SPECIFICATIONS

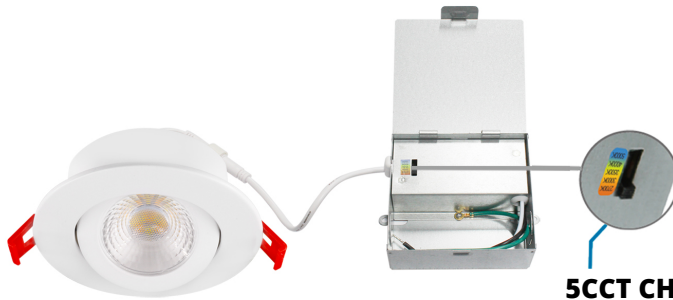
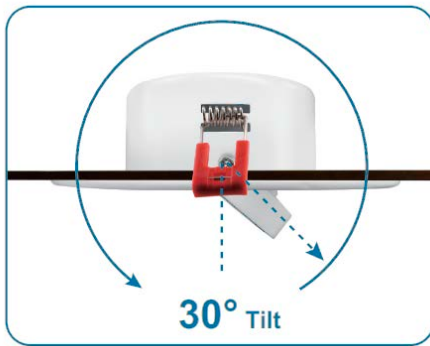
Model	SLIM4GIM-5CCT
Wattage	9W
Voltage	120V AC
Lumens	700 lmn
Beam Angle	38°
Lifetime	50000 hours
Cutout	Ø 4-1/8" (105mm)
CRI	80
Dimmable	Yes
Rating	IC Rated / Indoor use / for Damp location
Grade of Protection	IP 44
Air Tight	Yes
Application	Recessed ceiling / Halls / Home / Office / Store / Cafe
Colour Temp.	2700K / 3000K / 3500K / 4000K / 5000K
Operating Temp.	-20°C ~ +40°C
Warranty	5 years

COLOUR AVAILABILITY



MODEL SLIM4GIM-5CCT

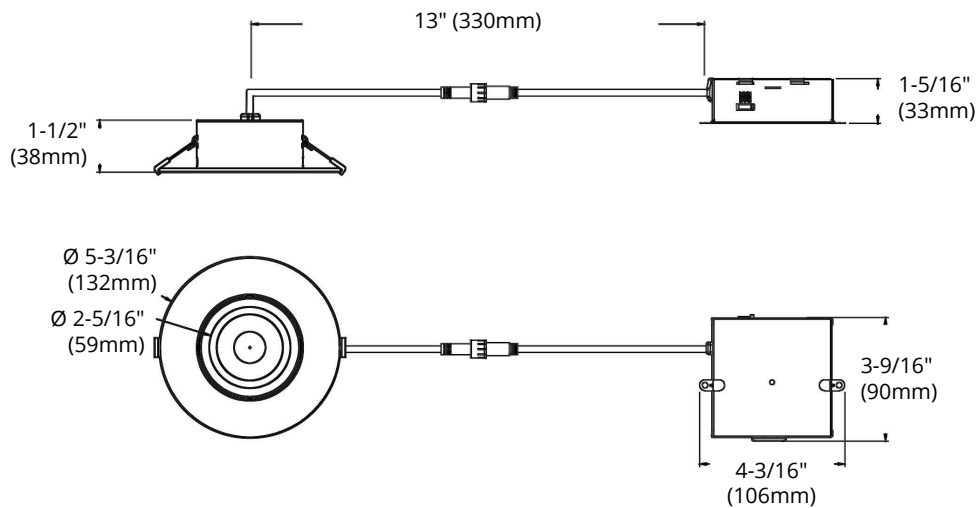
FEATURES & BENEFITS



5CCT CHANGEABLE

Changeable
2700K/3000K/3500K/4000K/5000K
controlled by 5CCT switch

DIMENSIONS



ACCESSORIES (SOLD SEPARATELY)



PLATE4-HB

Mounting Plate for
ORTECH 4" Slim Lights



PLATE26-4

New Construction Plate for
ORTECH 4" Slim Lights



DMD-ELV

Single-pole
3 way dimmer

Reference	QTY.	Remarks	Project:
			Location:
			Architect:
			Engineer:
			Contractor:
			Submitted by:
			Date:

ORTECH reserves the right to modify at any time, without notice, any or all of our product's features, designs, components and specifications to meet market changes.