

CWP04 Wall Pack

80W | Colour Tunable | 120-347V



Ideal for entryway and exterior security lighting

Easy installation and maintenance with colour temperature and voltage options

Built-in Photocell
(can be bypassed with switch)

120-347V Driver
with 6kV surge protection

**Instant Start, Soft,
Uniform Light**

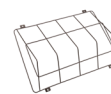


Colour Tunable
3000K/4000K/5000K

**Durable Die-Cast
Aluminum Housing**

**Borosilicate
Glass Lens**

Optional Accessories (sold separately):
Wireguard, Visor, Motion Sensor, Remote



CWP04-WG



CWP04-VISOR



HB01DMS-C



HB01R

TECHNICAL DATA



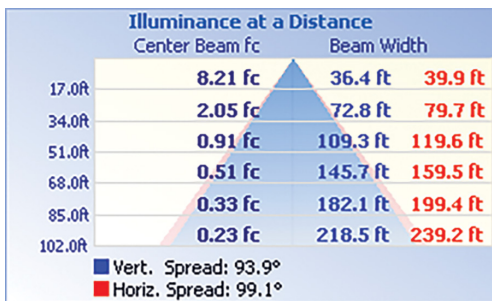
LIGHT SPECIFICATIONS

Lumens	11,071 lm
Efficacy	137.5 lm/W
CCT	Tunable 30K/40K/50K
CRI	82
Dimmable	0-10V
L70 Life	50,000 hrs
Warranty	10-year

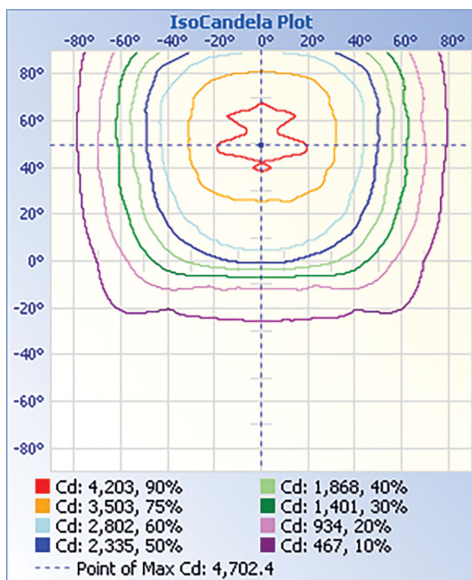
APPROVALS AND LISTINGS

cUL	E482965
DLC	PL1UW2U7XNOH

ILLUMINANCE AT A DISTANCE



ISOCANDELA PLOT



ELECTRICAL

Wattage	80W
Voltage	120-347V
Power Factor	0.9
THD	15%
Operating Temp	-40 to 50°C

CONSTRUCTION

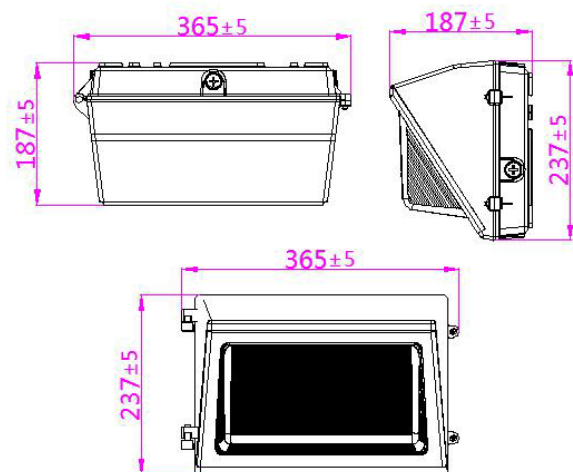
Housing	Die-Cast Aluminum
Cover	Borosilicate Glass
Finish	Bronze
IP Rating	IP65
Net Weight	3.5 kg
Gross Weight	4.5 kg
Carton Qty	1
Carton Dimensions	397 x 297 x 250 mm

ACCESSORIES (Ordered Separately)

Visor	CWP04-VISOR
Motion Sensor	HB01DMS-C
Remote	HB01R
Wireguard	CWP04-WG

Note: HB01R (remote) is **required** for HB01DMS-C (motion sensor)

DIMENSIONS



HEAD OFFICE: 8 - 540 Jamieson Pkwy, Cambridge, ON, N3C 0G5 | orders@csc-led.com | (519) 880 - 9833