

TradeSelect

15 A, 125 VAC, 2-Pole, 3-Wire Grounding

Receptacles, Residential Grade, Weather and Tamper Resistant Duplex

Features

- Smooth indented face appearance
- Multiple-drive Slot/Phillips/Robertson head screws
- Tough thermoplastic ultrasonically welded cover and base

Ordering Information

Color	UPC	Catalog Number
Black	883778303012	RR15SBKWRTR

Specifications

NEMA Rating	5-15R
Wire Size	#14 AWG to #12 AWG
Wattage	1875
Environmental Conditions	Weather Resistant
Special Features	Weather and Tamper Resistant- Self Grounding
Phase	Single Phase

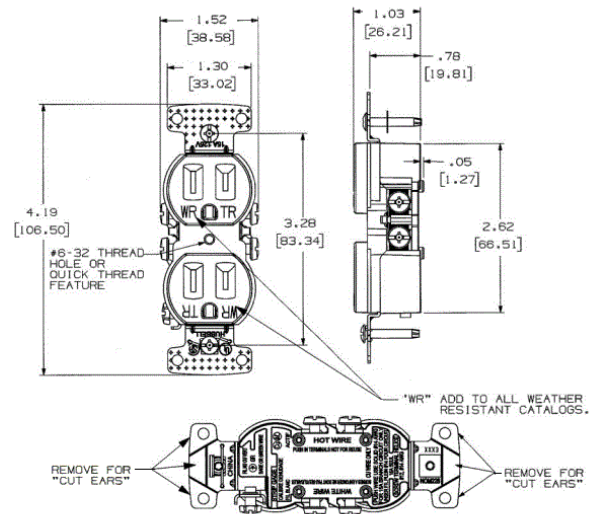
Performance

Environmental	
Operating temperature	20°C to 60°C

Mechanical

Terminal	Terminal screws accepts up to #12 AWG, Push wire designed for #14 AWG solid copper wire only
----------	--

HUBBELL



Online Resources

Customer Sales Drawings
eCatalog
Installation Instructions

Dimensions in Inches (mm)

Hubbell Wiring Device-Kellems • Hubbell Incorporated (Delaware) • 40 Waterview Drive • Shelton, CT 06484

Phone (800) 288-6000 • Fax (800) 255-1031 • Specifications subject to change without notice.

