

# Lighting Controls

DATE: \_\_\_\_\_ LOCATION: \_\_\_\_\_

TYPE: \_\_\_\_\_ PROJECT: \_\_\_\_\_

CATALOG #: \_\_\_\_\_

## LIGHTHAWK® DIMMING PIR WALL SWITCH SENSOR

WALL SWITCH OCCUPANCY SENSORS

### FEATURES

- Digital passive infrared (PIR) sensor
- IntelliDAPT® self-adaptive technology; no manual adjustment required
- Single circuit on/off switching with 0-10V dimming control
- Occupancy (auto-ON) and Vacancy (manual-ON) operating modes
- 1,000 square-foot, 180° coverage area
- RhinoTuff™ vandal resistant lens
- 120/277VAC and 347VAC models
- Zero Arc Point Switching



### SPECIFICATIONS

#### CONSTRUCTION

- Casing - high - Impact injection - molded plastic (UL-94-5V Impact-resistance lens)
- Color-coded leads are 6" (152.4mm) long
- Wrap around galvanized steel mounting strap
- 2.9 oz. (82.21g)
- White; Ivory; Light Almond; Gray; Black
- Quad-element pyrometer and 12-element cylindrical RhinoTuff lens

#### MOUNTING

- Single-gang NEMA-style switch box (standard switch box - max mounting height: 48")
- Decorator-style wall plate sold separately

#### ELECTRICAL

- 0-10V, Sink up to 30mA
- Natural light override range: 10-500 foot-candles
- 120/277VAC; 50/60Hz
- 347VAC; 50/60Hz
- 120VAC: 800W Incandescent/ Electronic Ballast/ LED Driver, 1,000W Magnetic Ballast, 1/8 HP Motor
- 277VAC: 1,800W Magnetic Ballast/ Electronic Ballast/ LED Driver, 1/8 HP Motor

#### ELECTRICAL (CONTINUED)

- 347VAC: 1,500W Magnetic Ballast/ Electronic Ballast/ LED Driver, 1/8 HP Motor

#### OPERATIONS

- IntelliDAPT
  - Self-adjusting timer
  - Self-adjusting Ultrasonic (US) and passive infrared (PIR) sensitivity
  - Automatic false-on/ false-off corrections
  - No manual adjustments required
- Coverage
  - 1,000 square-foot, 180° coverage area
- Timer Settings
  - Auto mode: 4-20 minutes; self-adjusts based on occupancy
  - Fixed mode: 4, 8, 16, and 20 minutes
  - Test mode: 5 seconds

#### OPERATING ENVIRONMENT

- Indoor use only
- Operating temperature: 32° to 104°F (0° to 40°C)
- Relative humidity (non-condensing): 0% to 95%

#### CERTIFICATIONS

- UL and cUL listed
- This product qualifies as both (i) a "domestic construction material" per FAR §52.225-9 Buy American-Construction Materials and a "(COTS) item" per FAR §2.101 and (ii) a "designated country construction material" per FAR 52.225-11 Buy American-Construction Materials under Trade Agreements effective 5/27/2020.
- This product qualifies as "designated country construction material" per FAR 52.225-11 Buy American-Construction Materials under Trade Agreements effective 5/27/2020.

#### WARRANTY

- 5 year warranty

# Lighting Controls

## LIGHTHAWK® DIMMING PIR WALL SWITCH SENSOR

WALL SWITCH OCCUPANCY SENSORS

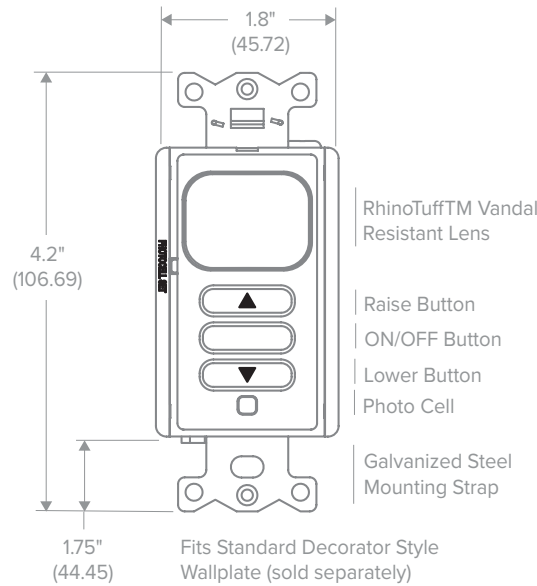
### ORDERING GUIDE

Example: LHRDMIRS3-N-WH-U

CATALOG #

LHRDMIRS	3				
Series	Buttons	Wiring	Color	Mode	BAA/TAA*
LHRDMIRS Light-HAWK Dimming Passive Infrared Single Relay, 0-10V Dimming	3 3	N Neutral (120/277V) N347 Neutral (347V)	WH White IV Ivory LA Light Almond GY Gray BK Black	Blank Switchable Vacancy or Occupancy Mode M Vacancy Mode Only	Blank Standard Product U BAA T TAA

### DIMENSIONS



*Buy American Solutions	
BAA FAR §52.225-9	TAA FAR §52.225-11
LHRDMIRS3-N-WH	

### ADDITIONAL INFORMATION

#### Coverage Pattern

