



## SLH4-LED Series

### High Lumen LED Strip Light



#### Applications:

Parkades, Warehouse Aisles, Commercial Applications, General Area Lighting

#### DESCRIPTION:

The SLH4-LED50 strip light provides a highly efficient lumen output of approx. 7000 lumens ideal for replacing 2 lamp T5 HO fixtures. The frosted linear lens provides uniform light distribution ideal for use in shops, coves and general area lighting.



#### Lumen Adjustable Unit

Fixture can be set to 20W, 30W, 40W or 50W with a switch at the same time of installation

#### FEATURES:

- 2 versions - Colour selectable fixture (3000K/4000K/5000K) or fixed 3500K colour temperature.
- Lumen Adjustable Units with 4 settings – 50W/40W/30W/20W
- Steel sheet metal housing with polycarbonate lens.
- Knockouts on the back and end of housing.
- Fixture has 0-10V dimming driver.
- Wide voltage range of 120-347V.
- Connection plate included for connecting multiple fixtures in continuous runs. Connect up to 15 units in one run.
- Factory Installed Options - Dimming High Frequency Motion Sensor and Battery back up.
- Field Installed Options - Linear Ceiling Pendant Mount Kit, Reflector Wings Kit, Wire Cage, Remote Control.

#### Colour Selectable Model Available:

Order the "SLH4-LED50A20-H-VK-DIM" to choose between 3000K, 4000K or 5000K at the time of installation.

<p>SLH4-LED50A20-H-VK-DIM:</p> 	<p><b>COLOUR SELECTABLE</b></p> <p>3000K 4000K 5000K</p> 
<p>SLH4-LED50A20-H-3.5K-DIM:</p> 	<p><b>3500K Warm White</b></p> 

#### Included In Every Box:



Junction Box Cover Plate



Mounting Bracket Clips



Connection Plate to Link Series

## SPECIFICATIONS:

	SLH4-LED50A20-H-3.5K-DIM	SLH4-LED50A20-H-VK-DIM
Watts	Max 51W adjustable to minimum 20W	Max 53 adjustable to minimum 20W
Voltage	120-347	120-347
Lumens	6777 (at 51W setting)	6976 (at 53W setting)
Efficacy	131.4	132.2
Replaces Up To	2 Lamp T5HO	
Colour Temperature	3500K	VK (3000K, 4000K, 5000K)
Colour Rendering Index (CRI)	80	
Operating Temperature	-30°C to 40°C (-22°F to 104°F)	
Housing Material	Steel Sheet Metal	
Lens Material	Polycarbonate	
Finish	White	
Accessories Included	Junction Box Cover Plate, Mounting Bracket Clips, Connect Plate (to Link Series)	
Accessories Sold Separately	Wire Guard, Reflector Wings, Linear Ceiling Pendant Mounting Kit, Remote Control for Sensor	
Factory Installed Options	Dimming High Frequency Sensor, Battery Back Up	
THD (%)	3.95	4.35
PF	0.970	0.997
LED Life	50,000 hours	

Standard Fixtures	Weight (lbs)
SLH4	5

AMPERAGE DRAW & SURGE PROTECTION						
	Current (A)					Surge Protection (kV)
	120V	208V	240V	277V	347V	120-347V
SLH4	0.44A	0.26A	0.22A	0.19A	0.16A	2kV

LUMEN MAINTENANCE			
	50,000 Hours	75,000 Hours	100,000 Hours
SLH4	88%	82%	77%

LUMEN ADJUSTABLE SETTINGS				
SLH4-LED50A20-H-3.5K-DIM				
WATTS	20	30	40	50
LUMENS	2658	3986	5315	6777
SLH4-LED50A20-H-VK-DIM				
WATTS	20	30	40	50
LUMENS	2632	3949	5265	6976

## LINEAR CEILING PENDANT MOUNTING KIT:

### Linear Ceiling Pendant Mounting Kit

Contains 2 x 5 foot aircraft cables with ceiling mounting plates, fixture mounting rod and nut, 6 drywall anchors, and 6 screws.



## MOTION SENSOR:

### Motion Sensor

Dimming microwave sensor for low bay areas from 8 to 20 feet height at 48' diameter. Adjustable settings with remote control.



## REFLECTOR WINGS KIT:

### Reflector Wings Kit

Wings attach by inserting tabs into the cutouts on the fixture.



## WIRE CAGE:

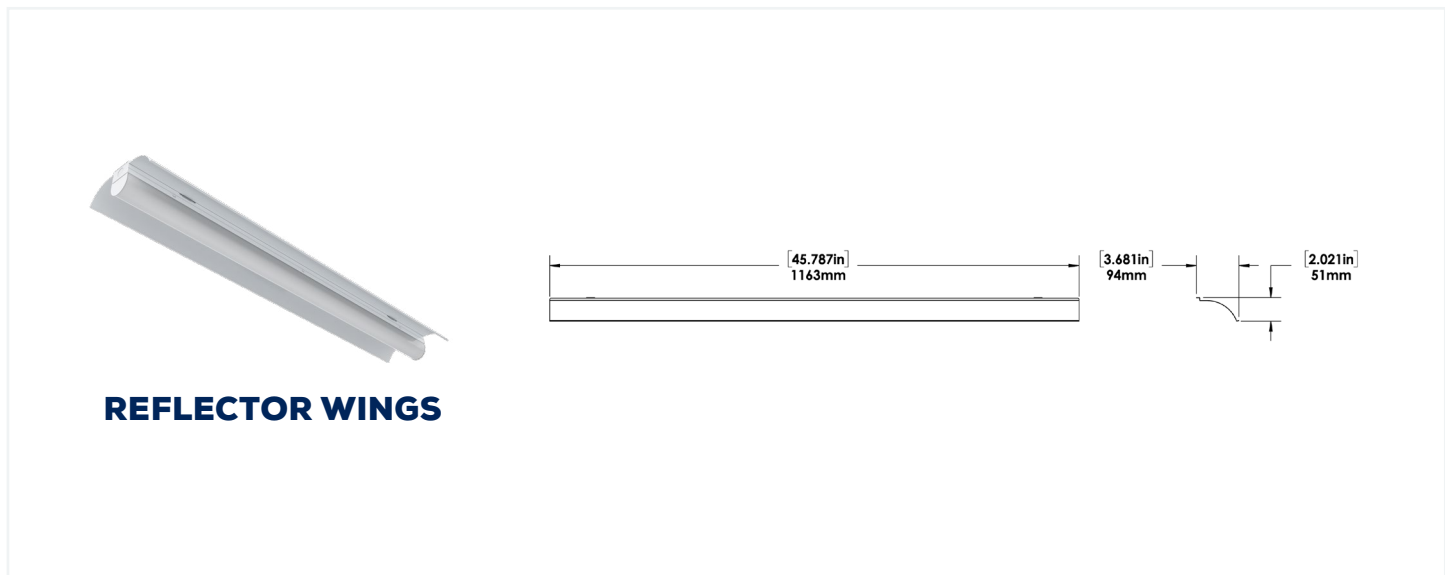
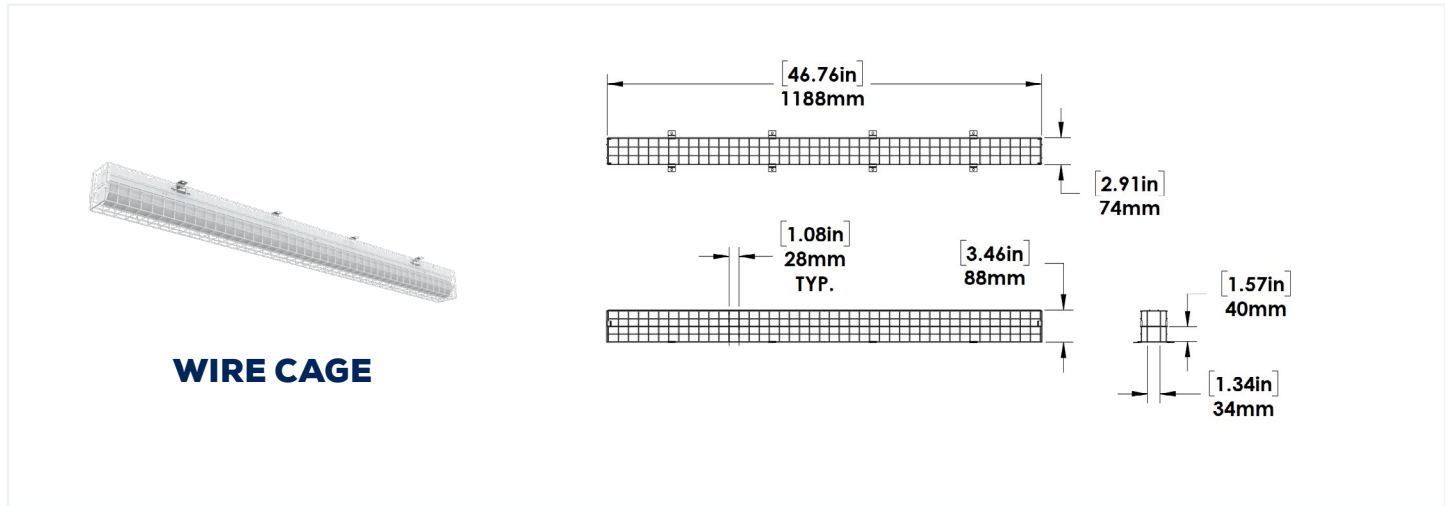
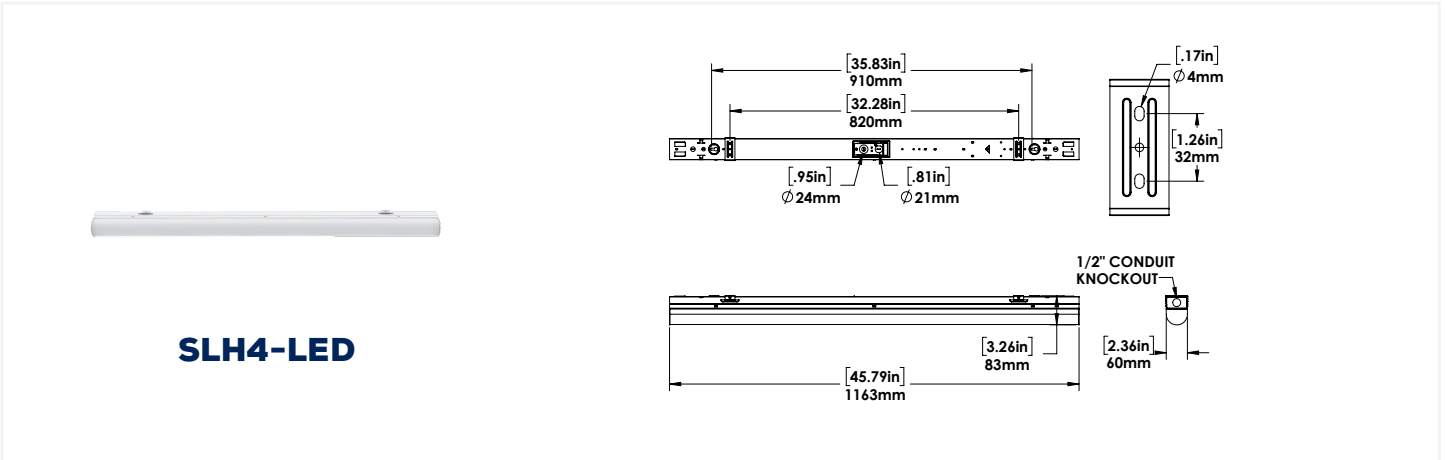
### Wire Cage

To install, place wire cage over the fixture and screw the clips on to the mounting surface.

End caps of the wire cage are removable which allows contractor to connect multiple fixtures with wire cages seamlessly.



**DIMENSIONS:**



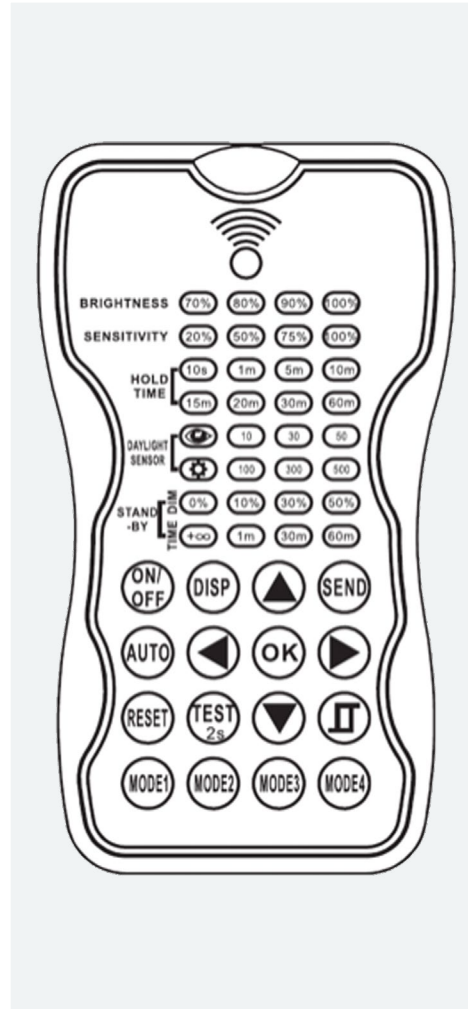
## MOTION SENSOR

Dimming High Frequency Motion Sensor is factory installed.

DEFAULT SENSOR SETTINGS					
BRIGHTNESS	SENSITIVITY	HOLD TIME	DAYLIGHT SENSOR	STAND-BY DIM	STAND-BY TIME
100%	100%	5 minutes	Disabled	DIM: 30%	60 minutes

## RC100 REMOTE

### FEATURES



**BRIGHTNESS:**

Sets the highest light fixture brightness when motion is detected.

**SENSITIVITY:**

Sets the sensitivity to which the sensor will detect motion.

**HOLD TIME:**

The time the light fixture will remain at the brightness setting after it detects motion..

**DAYLIGHT SENSOR:**

The lux setting that the light fixture will turn on/off. If the ambient lux is more than the defined lux setting, the fixture & sensor function will turn off and remain off until the ambient lux is below the setting. To disable the lux sensor, select the SUN icon. To set the lux to match current room conditions, select the EYE icon.

**STAND-BY DIM:**

The Dim level that the light fixture will dim down after the Hold Time has expired.

To disable dimming and only have ON/OFF, select the 0% icon.

**STAND-BY TIME:**

The time the light fixture will remain in the dim down state before it shuts off. To disable the light from shutting off, select the INFINITY icon.

### RC100 REMOTE CONTROL SPECIFICATION

Power Supply	2 x AAA 1.5V Batteries
Communication Protocol	940 nm Infrared Tx & Rx
Communication Range	Up to 15m (50 ft)
Operating Temp.	0 °C to 50°C (32°F to 122°F)
Dimensions	123x70x20.3mm (4.84"x2.76"x0.8")

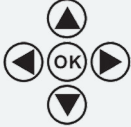
KEY	FUNCTION
-----	----------



Light fixture will be set to permanently stay ON or OFF. Must press AUTO button to go back to sensor mode.



Displays the current remote-control parameters.



Navigate through the remote-control parameters and sets them to the desired settings.

**NOTE:** These settings are not yet set on the light fixture sensor. The remote needs to be pointed at the light fixture sensor, and the **SEND** button needs to be pushed.



Uploads the selected remote-control parameters to the light fixture sensor. The light fixture will turn on and off as confirmation the new settings have been set.



Light fixture sensor is set to sensor mode with the last sent parameters. This must be pressed to exit the ON/OFF setting.



Resets the light fixture sensor parameters. Default Settings

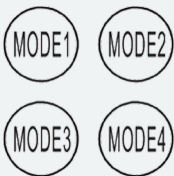
BRIGHTNESS	SENSITIVITY	HOLD TIME	DAYLIGHT SENSOR	STAND-BY DIM	STAND-BY TIME
100%	100%	5 minutes	Disabled	DIM: 30%	60 minutes



For Testing sensitivity only. The Standby period and daylight sensor are disabled in this mode. Must press AUTO button to go back to sensor mode.



Photocell Function: If this function is turned on, it is set to a specific lux setting (10, 30, 50, 100, 300, 500). When the lux level exceeds this setting, the sensor will wait and monitor for 1 minute to confirm the lux level is not temporary. After 1 minute, the lights will turn off even when the space is occupied. When the lux level goes below this setting, the light will turn on and remain on without any detected motion. This feature is disabled by default and is intended for outdoor use only.



Four modes are available with pre-set parameters. Any mode can be customized by following the steps below:

1. Select mode 1, 2, 3, or 4.
2. press the ARROW BUTTONS to choose the new parameters.
3. Select OK to confirm the new settings on that mode.

**NOTE:** These settings are not yet set on the light fixture sensor. The remote needs to be pointed at the light fixture sensor, and the **SEND** button needs to be pushed.

**NOTE:** Modes 2, 3, and 4 all have the same default settings. See instructions to change defaults.

MODE DEFAULT SETTINGS	BRIGHTNESS	SENSITIVITY	HOLD TIME	DAYLIGHT SENSOR	STAND-BY DIM	STAND-BY TIME
MODE1	100%	100%	5 minutes	Disabled	DIM: 30%	Disabled



70%	20%	10 seconds	Disabled	0%	Disabled
-----	-----	------------	----------	----	----------

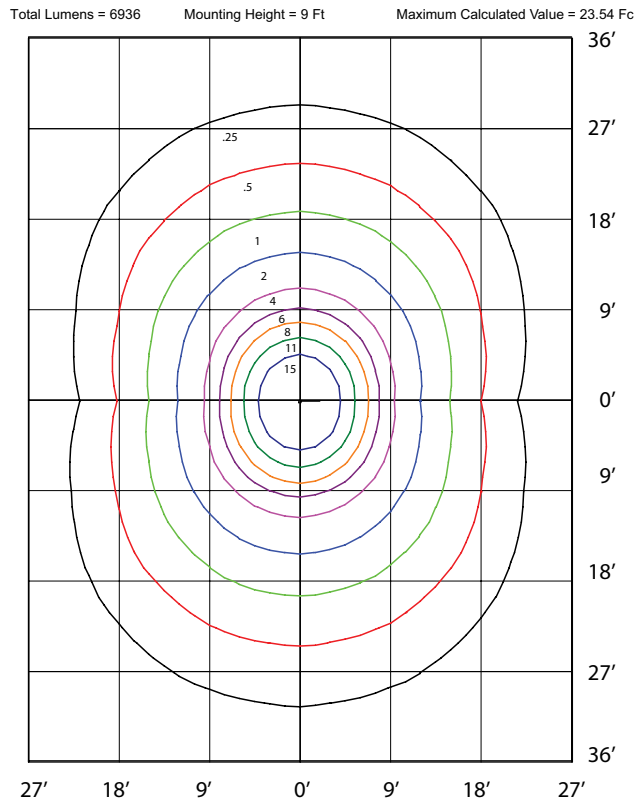


## BATTERY BACK UP DETAILS:

TECHNICAL SPECIFICATIONS	
Rated Input Voltage	100-347VAC
Input Current	20-100mA
Input Power	8W
Power Factor	0.6 @ 100VAC, 0.5 @347 VAC
Output Wire L-out N-out (LED load input)	AC 6A Max
Output Voltage (Emergency Mode)	8W
Recharge Current	0-200mA
Recharge Time	24 Hours
Discharge Time	90 Minutes
Maximum Case Temperature Tc	70°C
Ambient Operating Temperature Ta	10-60°C
Service Life	50,000 Hours
RFI/EMI	FCC

\*Battery Back Up is factory installed inside housing.

SLH4-LED50A20-B-4K-DIM(SLH4-LED50A20-H-VK-DIM)  
MOUNTED AT 9 FEET





## ORDERING GUIDE

<b>SLH4</b>	<b>LED50A20</b>	<b>H</b>		<b>DIM</b>		
WATTS	VOLTAGE	COLOR TEMP.	DIMMING	CONTROLS	OPTIONS	
	H-120-347	3.5K-3500K VK- COLOUR SELECTABLE 3000K/4000K/5000K	DIM-0-10V DIMMING*	DHFS - DIMMING HIGH FREQUENCY SENRROR	BBK8 - 8W BATTERY BACK UP	

\*Standard Configuration

## ACCESSORIES ORDERING GUIDE

### CHECK THE ACCESSORIES YOU WISH TO ORDER:

- 087016 - RC-100 MOTION SENSOR REMOTE CONTROL
- 002298 - SL4-LED/SLH4-LED WIRE CAGE
- 099513 - SL4-LED REFLECTOR WINGS KIT - WHT
- 089814 - LINEAR CEILING PENDANT MOUNT KIT