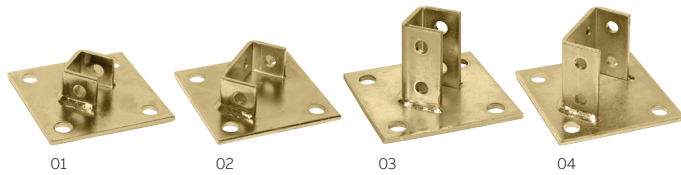


TECHNICAL DATA SHEET - INTERACTIVE PDF

# Post Bases, 4 hole facing post

## Multiple styles

**Superstrut®**



Post bases are used to mount metallic framing channel in a vertical orientation on floors.

**3-Part Specification:**  
**End User Tools**

- 01 Post Base, 4-hole base and 3-hole end connector
- 02 Post Base, 4-hole base and 4-hole end connector
- 03 Post Base, 4-hole base and 6-hole end connector
- 04 Post Base, 4-hole base and 8-hole end connector

### Applications:

- Securing metallic framing channel to the floor or deck in a vertical orientation
- Suitable for vertical supports such as used with shelving or raised support structures
- Used with 12 and 14 gauge, 1 $\frac{3}{8}$ " metallic framing channel

### Material:

- Hot-rolled carbon steel
- 304 or 316 stainless steel (when specified)

### Finishes:

- GoldGalv (standard)
- SilverGalv (Suffix EG)

Product selection				
Part no.	Description	Figure	Material	Finish
AP231	Post Base, 4-hole base and 3-hole facing post	1	HR Carbon Steel	GoldGalv®
AP232	Post Base, 4-hole base and 6-hole facing post	2	HR Carbon Steel	GoldGalv®
AP232EG			HR Carbon Steel	SilverGalv®
AP232HDG			HR Carbon Steel	Hot-dipped Galvanized
AP232 SS316			316 Stainless Steel	—
AP234	Post Base, 4-hole base and 4-hole facing post	3	HR Carbon Steel	GoldGalv®
AP235	Post Base, 4-hole base and 8-hole facing post	4	HR Carbon Steel	GoldGalv®
AP235 EG			HR Carbon Steel	SilverGalv®
AP235HDG			HR Carbon Steel	Hot-dipped Galvanized
AP 235SS			304 Stainless Steel	—

### Part number code:

**AP XXX-XXX**

**Example:** AP 231-EG

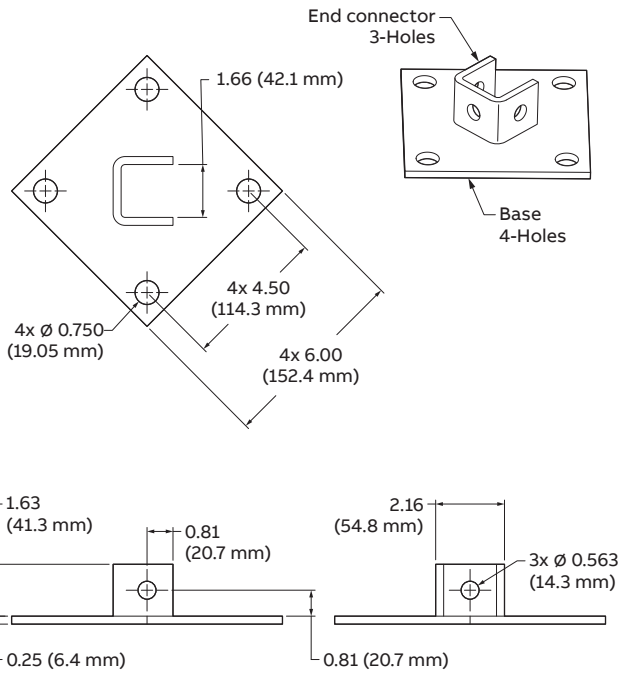
#### End Connectors:

- 231 = 3-hole
- 232 = 6-hole
- 234 = 4-hole
- 235 = 8-hole

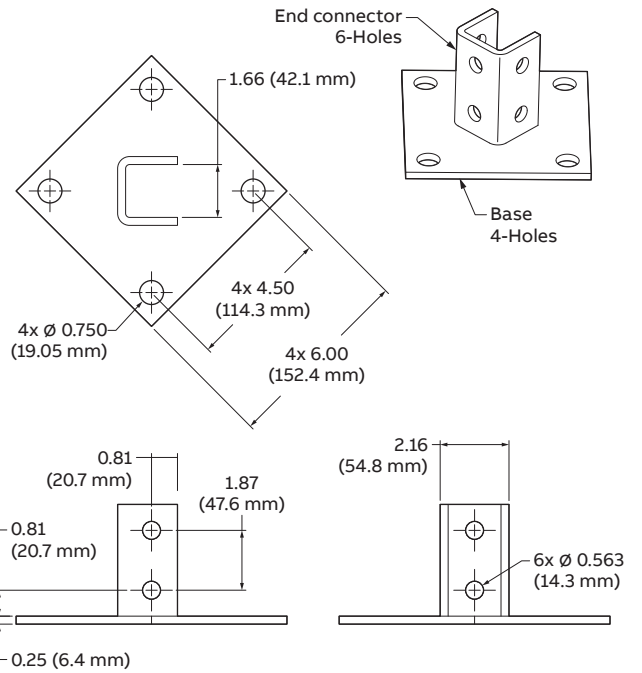
#### Finish/Material:

- BLANK = GoldGalv (finish)
- EG = SilverGalv (finish)
- HDG = Hot dipped galv (finish)
- SS = 304 stainless steel (material)

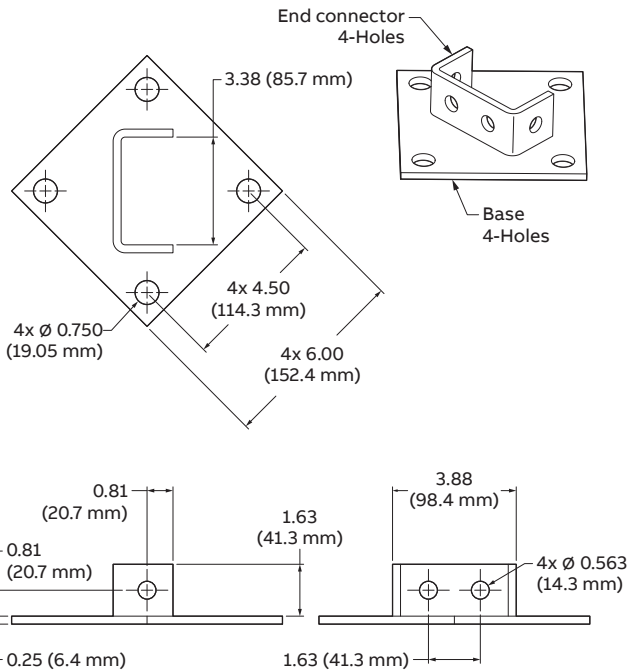
**Post Base, 4-hole base and 3-hole end connector**  
Figure 1



**Post Base, 4-hole base and 6-hole end connector**  
Figure 2



**Post Base, 4-hole base and 4-hole end connector**  
Figure 3



**Post Base, 4-hole base and 8-hole end connector**  
Figure 4

