



# RFL4V-LED

Performance Light LED



Slipfitter



Yoke

(Mounting Sold Separately)

## IDEAL APPLICATIONS

- Building Facades
- Monuments
- Patios
- Sign Lighting

## DESCRIPTION:

Ruggedly designed, high performance, versatile floods with multiple options for mounting (knuckle/yoke), beam distributions (NEMA 6X6/NEMA 4X4), colour temperatures (5000K, 4000K, 3000K), accessories (wire guard/visor), and paint finishes.

## FEATURES:

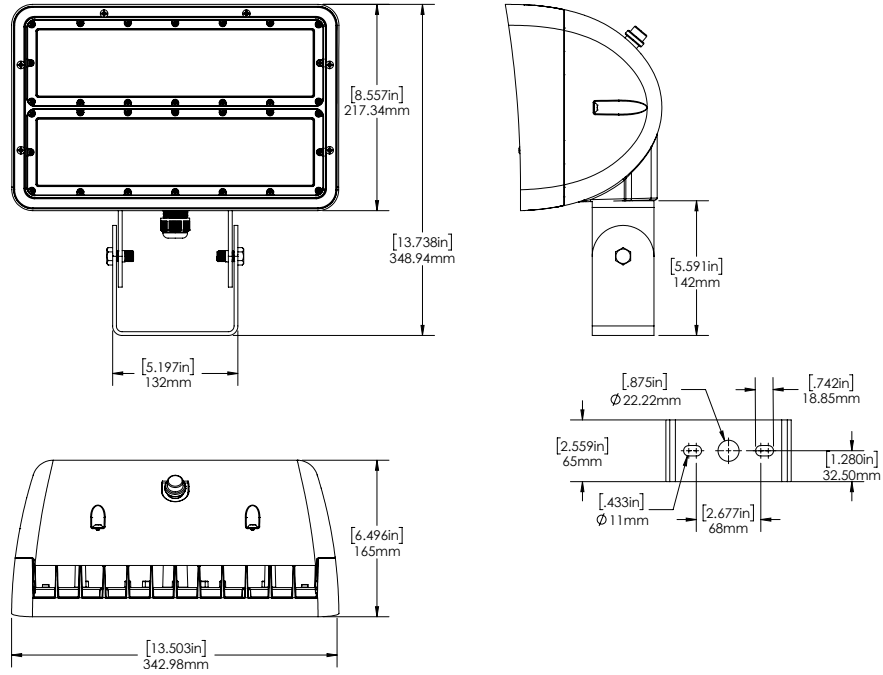
- Die cast aluminum housing with powder coat paint finish and clear polycarbonate lens.
- Available in two beam distributions. Wide beam (NEMA 6X6) for general flood applications requiring a large and uniform light pattern or Narrow beam (NEMA 4X4) for accenting monuments and facades.
- Knuckle Mount (1/2" NPS) or Yoke Mount Options sold separately.
- Wire Guard and Visor accessories are optional.
- Photocell included as a standard option, can be deactivated by covering with the cap provided.
- Bronze finish is standard and custom paint options available.

SPECIFICATIONS	RFL4V-LED120	RFL4V-LED150
Watts	118.7 W	151 W
Lumens	17013 lm	22128 lm
Efficacy	143.33 lm/W	147 lm/W
Voltage	120-277V*, 347V	
CCT	3000K/4000K/5000K*	
CRI	72.4	
Dimming	0-10V Dim to Off	
THD	9.68%	12.27%
PF	0.99	
Beam Distribution	Wide (NEMA 6x6)* and Narrow (NEMA 4x4)	
LED Life (L80)	>72000 hours	
Housing Finish	Bronze**, Custom Colours	
Housing Details	Die Cast Aluminum	
Lens Details	Clear Polycarbonate Lens	
Operating Temp.	-40°C to +40°C (-40°F to 104°F)	
Cable Length	1m Cab Tire Cable (STW 5x18 AWG)	
Mounting	Yoke, Slipfitter	
Factory Installed Options	10kV Surge Suppressor	
Options Sold Separately	Yoke, Slipfitter, Wire Guard, Visor	
Certifications Logos	UL, Wet Locations, IP65, DLC (in progress)	

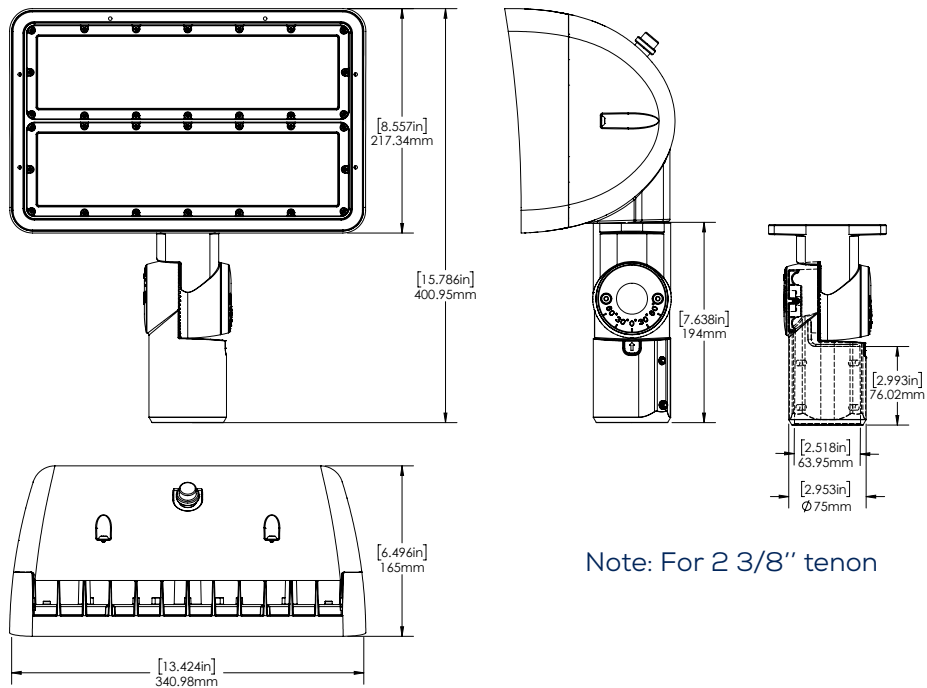
Note: Specs shown are for 120-277V/5000K  
\*Standard Configuration



## DIMENSIONS:



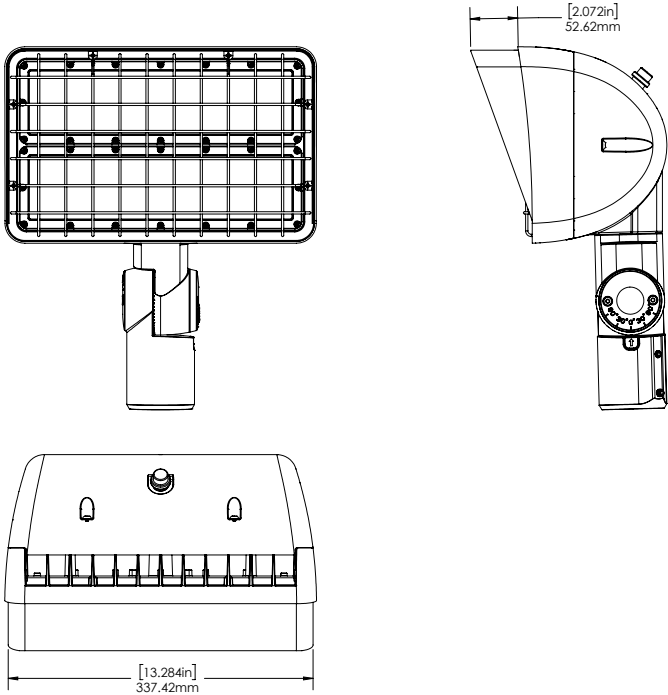
**Yoke Mount**



Note: For 2 3/8" tenon

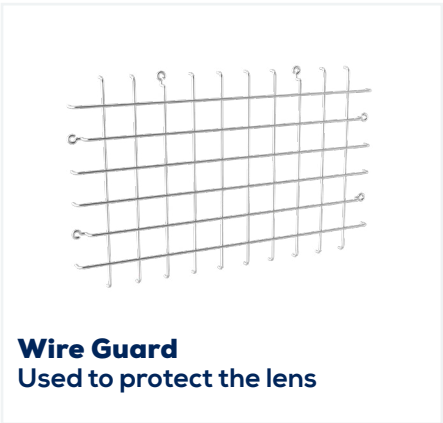
**Slipfitter**

**DIMENSIONS:**



**Slipfitter with Wire Guard & Visor**

**ACCESSORIES:**



Note: Hardware for installation included in package  
Visor and wire guard can be used together

<b>AMPERAGE DRAW &amp; SURGE PROTECTION</b>							
	CURRENT (A)					INTERNAL SURGE PROTECTION (kV)	
	120V	208V	240V	277V	347V	120-277V	347V
RFL4V-LED	1.33A	0.77A	0.67A	0.58A	0.46A	6kV	6kV

<b>TM-21 ESTIMATED LUMEN MAINTENANCE</b>						
	50,000 Hours		75,000 Hours		100,000 Hours	
	RFL4V-LED	87.2%		81.2%		75.6%

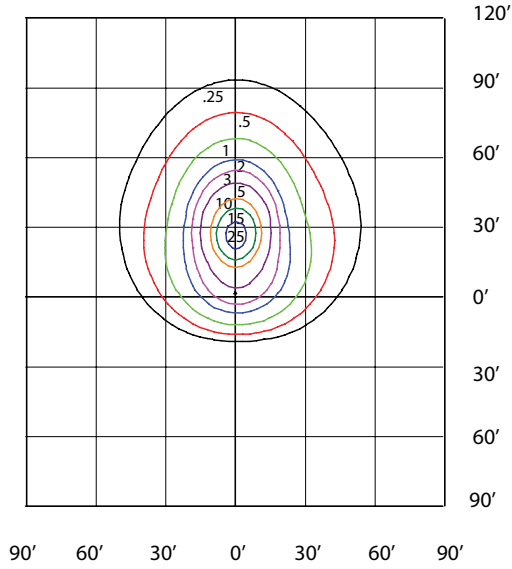
Life hours are derived from IESNA LM-80 testing report and projected per IESNA TM-21 calculations.

<b>EPA (ft<sup>2</sup>)</b>						
	0° Tilt		45° Tilt		90° Tilt	
	RFL4V-LED	0.797		1.065		1.255

<b>WEIGHTS (lbs)</b>	
RFL4V-LED	11.55

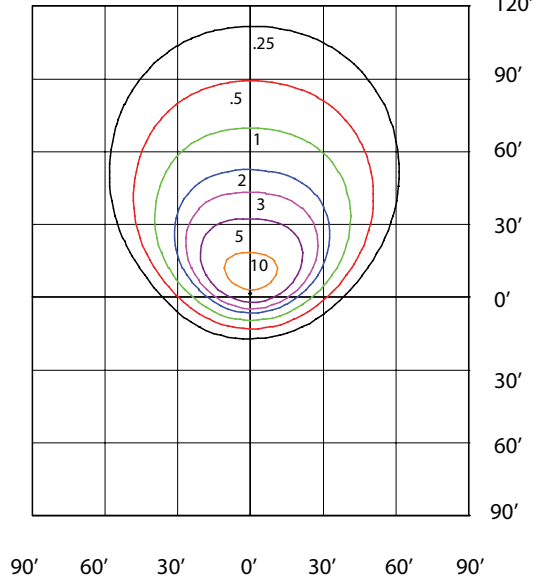
RFL4V-LED120-B-5K-N-BRZ-DIM-PC  
MOUNTED AT 24 FEET

Lumens 16741      Maximum Calculated Value 32.16 Fc



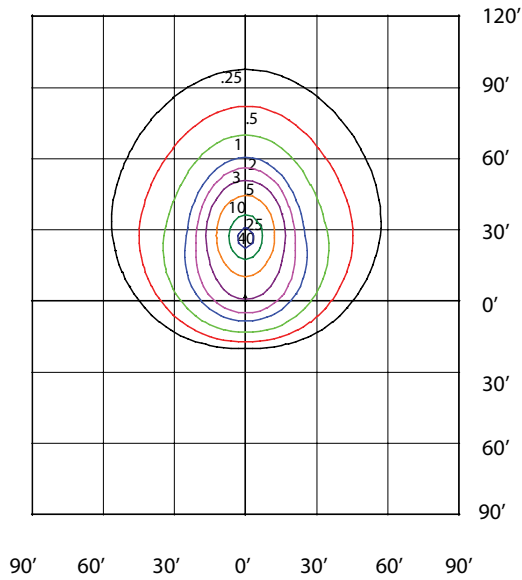
RFL4V-LED120-B-5K-W-BRZ-DIM-PC  
MOUNTED AT 24 FEET

Lumens 17019      Maximum Calculated Value 13.20 Fc



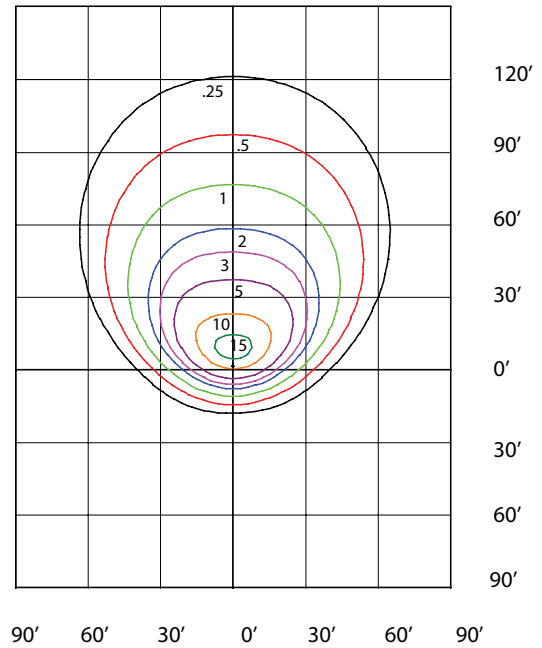
RFL4V-LED150-B-5K-N-BRZ-DIM-PC  
MOUNTED AT 24 FEET

Lumens 21761      Maximum Calculated Value 46.61 Fc



RFL4V-LED150-B-5K-W-BRZ-DIM-PC  
MOUNTED AT 24 FEET

Lumens 22135      Maximum Calculated Value 17.21 Fc



## ORDERING GUIDE:

RFL4V						DIM	PC	
Fixture	Wattage	Voltage	Colour Temp.	Optics	Finish	Dimming	Controls	Surge Protection
	LED120	B - 120-277V*	3K - 3000K	N - 4x4	BRZ - Bronze*	DIM - 0-10V Dimming	PC - Photocell	Blank
	LED150	C - 347V	4K - 4000K 5K - 5000K*	W - 6x6*	CC - Custom Colour		SP10 - 10kV Surge Protection	

\* Standard Configuration

**Note:** Fixture comes with photocontrol covered with cap.  
Remove cap to activate photocell.

### Ordering Guide For Accessories

Check the items that you wish to order:

- 002481 RFL4V YOKE MOUNT BRZ
- 002482 RFL3V/RFL4V SLIP FIT MOUNT BRZ
- 002352 RFL4V WIRE GUARD
- 002356 RFL4V VISOR BRZ