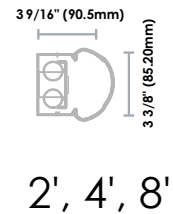
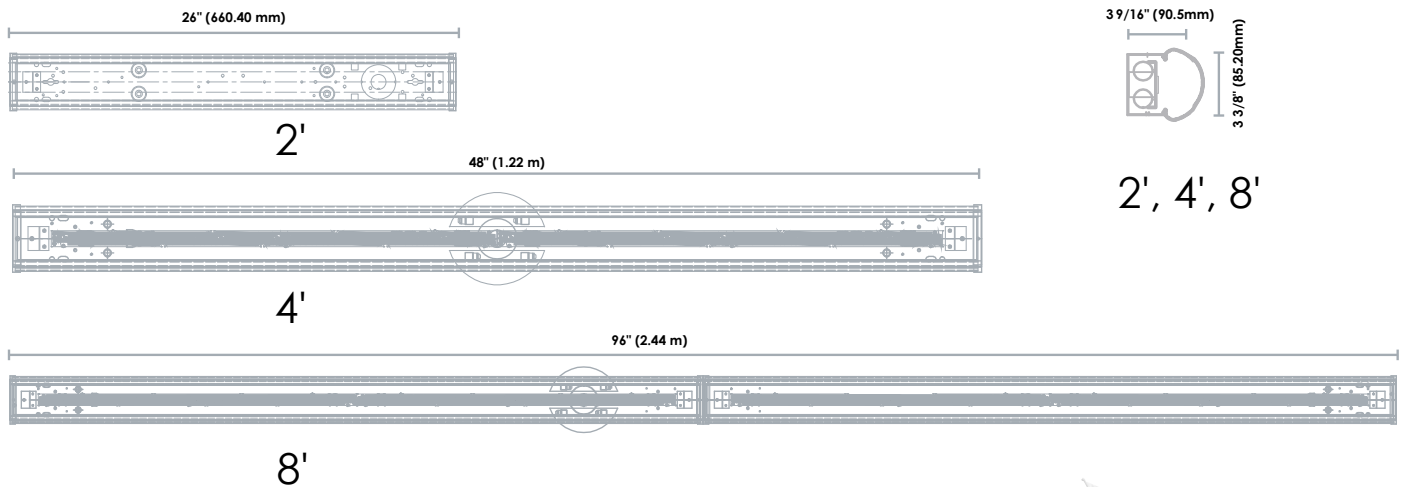


# LED Striplight

These high quality luminaires are equipped with a frosted lens that diffuses the light comfortably. This series is a great option for retrofitting your traditional fluorescent linear luminaires to balance performance, aesthetics, and cost.



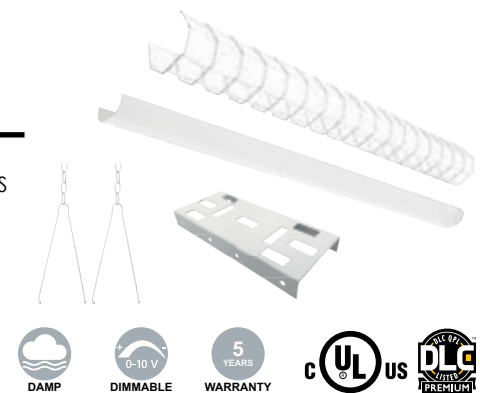
Order code	Description	Watts (W)	Volts (VAC)	Colour temp. (K)	Lumen output (lm)	CRI	Life L70 (hrs)	Case qty (master)
<b>2'</b>								
65034	LSS/2FT/20W/40K/120-277/STD	20	120-277	4 000	2 600	80	100 000	6
<b>4'</b>								
66082	LSS/4FT/32W/40K/120-277/A1/STD	32	120-277	4 000	4 224	80	100 000	6
66870	LSS/4FT/32W/50K/120-277/A1/STD	32	120-277	5 000	4 256	80	100 000	6
66170	LSS/S2/4FT/40W/40K/120-277/A1/STD	40	120-277	4 000	5 200	80	100 000	6
66871	LSS/S2/4FT/40W/50K/120-277/A1/STD	40	120-277	5 000	5 240	80	100 000	6
66172	LSS/4FT/40W/40K/347/A1/STD	40	347	4 000	5 240	80	54 000	6
66872	LSS/4FT/40W/50K/347/A1/STD	40	347	5 000	5 320	80	54 000	6
<b>8'</b>								
66127	LSS/8FT/65W/40K/120-277/A1/STD	65	120-277	4 000	8 580	80	100 000	1
66873	LSS/8FT/65W/50K/120-277/A1/STD	65	120-277	5 000	8 645	80	100 000	1
66171	LSS/S2/8FT/75W/40K/120-277/A1/STD	75	120-277	4 000	9 750	80	100 000	1
66874	LSS/S2/8FT/75W/50K/120-277/A1/STD	75	120-277	5 000	9 825	80	100 000	1
66173	LSS/8FT/75W/40K/347/A1/STD	75	347	4 000	9 825	80	54 000	1
66875	LSS/8FT/75W/50K/347/A1/STD	75	347	5 000	9 975	80	54 000	1



2', 4', 8'

## Accessories

Order code	Description	Type	Compatible with
66084	LSS/ACC/2FT/LENS/STD	Replacement lens for 2'	65034
66085	LSS/ACC/4FT/LENS/STD	Replacement lens for 4'	All 4' and 8' LSS
66086	LSS/ACC/VHOOKCHAIN/STD	Hanger kit	All LSS
66740	LST2/ACC/WG/STD	2' Wireguard	65034
66741	LST4/ACC/WG/STD	4' Wireguard	All 4' LSS
66742	LST8/ACC/WG/STD	8' Wireguard	All 8' LSS
67340	LST/ACC/BACKET/STD	Fixture connector	All LSS



Lumen values are derived from photometric testing. For a complete list of compatible dimmers and DLC qualified products, please visit [www.standardpro.com](http://www.standardpro.com)

# Tri-Level Programmable Striplight

This tri-level programmable striplight has been designed to prevent energy loss in applications or spaces that require continuous lighting.

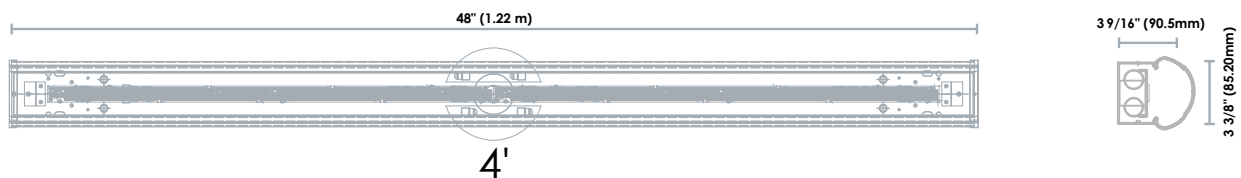
The luminaire increases energy savings while allowing users to wisely manage levels of luminosity in a given space. It features an integrated micro-wave motion sensor that regulates light levels according to occupancy of the space

## Tri-Level programmable means:

- Detection of occupancy
- Detection of light levels in the room
- Dimming control of each individual light

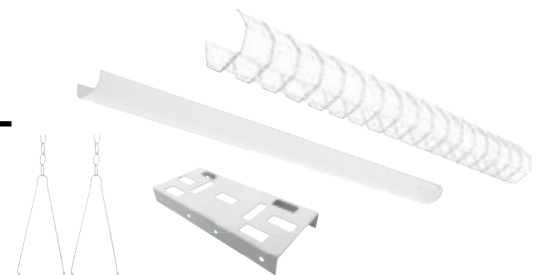


Order code	Description	Watts (W)	Volts (VAC)	Colour temp. (K)	Lumen output (lm)	CRI	Life L70 (hrs)	Sensor type	Case qty (master)
66083	LSS/4FT/TLEV/32W/40K/120-277/A1/STD	32	120-277	4 000	4 160	80	100 000	Microwave	6
66081	LSS/4FT/TLEV/40W/40K/120-277/A1/STD	40	120-277	4 000	5 200	80	100 000	Microwave	6



## Accessories

Order code	Description	Type	Compatible with
66085	LSS/ACC/4FT/LENS/STD	Replacement lens for 4'	66081, 66083
66086	LSS/ACC/VHOOKCHAIN/STD	Hanger kit	66081, 66083
66741	LST4/ACC/WG/STD	4' Wireguard	66081, 66083
67340	LST/ACC/BACKET/STD	Fixture connector	66081, 66083



Lumen values are derived from photometric testing  
For a complete list of compatible dimmers and DLC qualified products, please visit [www.standardpro.com](http://www.standardpro.com)



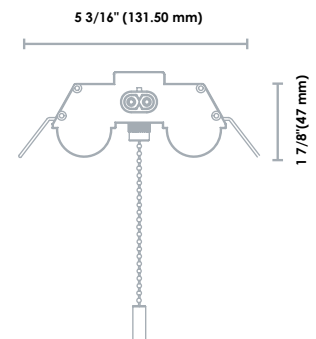
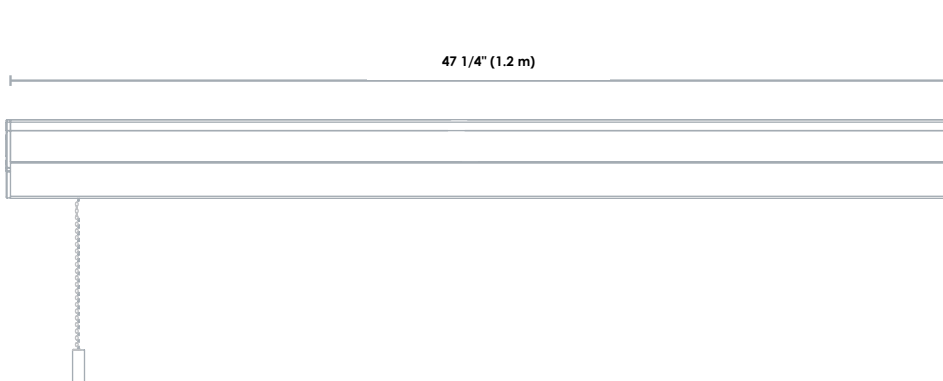
# LED Shoplight



STANDARD's 4 foot LED Shoplight consumes at least 48 % less energy than it's traditional counterpart. It is equipped with a 5 foot cable with a direct plug-in and an ON/OFF pull chain.

07

Order code	Description	Watts (W)	Volts (VAC)	Colour temp. (K)	Lumen output (lm)	CRI	Life L70 (hrs)	Traditional equivalent (W) Fluo	Case qty (master)
65971	LSHOP/S2/40W/40K/120/ND/STD	40	120	4 000	4 000	80	54 000	2x32 W T8	4





# LED Wrap



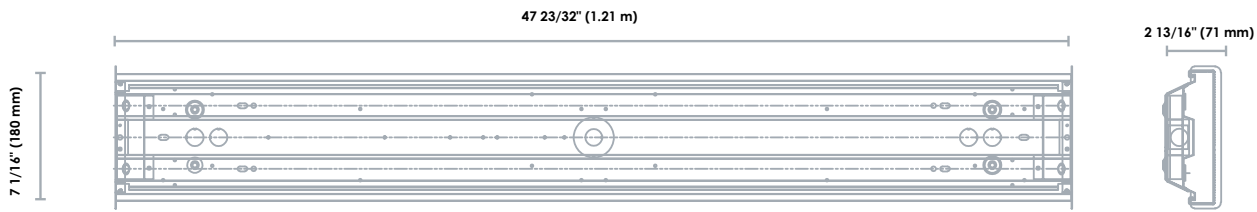
34 W



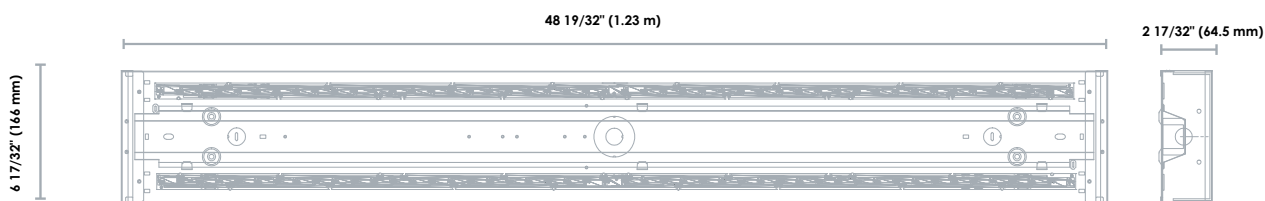
42 W

Order code	Description	Watts (W)	Volts (VAC)	Colour temp. (K)	Lumen output (lm)	CRI	Life L70 (hrs)	Case qty (master)
66174	LSW/4FT/34W/40K/120-277/A1/STD	34	120-277	4 000	4 420	80	100 000	4
66261	LWR4/120-277/42W/40K/FR/A2/STD	42	120-277	4 000	4 288	80	52 000	4

07



34 W



42 W



Lumen values are derived from photometric testing  
 For a complete list of DLC qualified products, please visit [www.standardpro.com](http://www.standardpro.com)

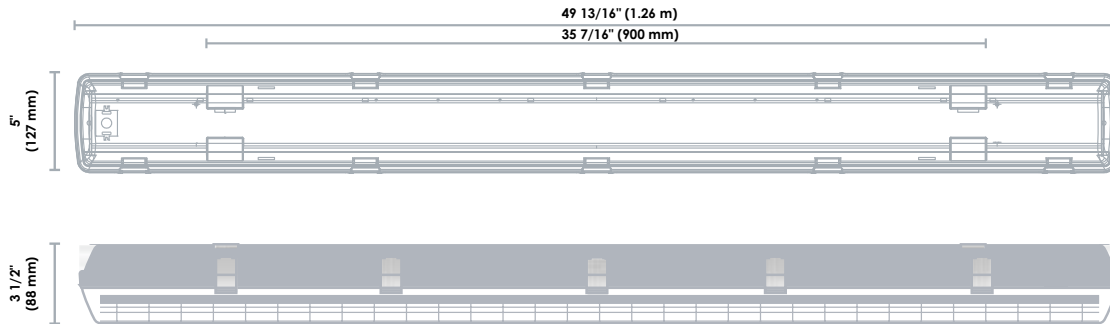
# LED Vapor Tight



The Vapor Tight series is an enclosed luminaire that combines state-of-the-art LED technology with an IP rated vapor tight housing. This luminaire is protected against extreme temperatures, the intrusion of dust and jets of waters projected from any direction. Its durable construction provides protection against harsh environmental conditions and corrosion.

- Impact resistant polycarbonate construction
- Integrated durable gasket that seals the entire enclosure
- UV stabilized lens

Order code	Description	Watts (W)	Volts (VAC)	Colour temp. (K)	Lumen output (lm)	CRI	Life L70 (hrs)	Case qty (master)
66196	LSV/N/35W/40K/120-277/DD1/FP/A1/STD	35	120-277	4 000	4 550	80	100 000	4
66876	LSV/N/35W/50K/120-277/DD1/FP/A1/STD	35	120-277	5 000	4 585	80	100 000	4
66197	LSV/N/40W/40K/120-277/DD1/FP/A1/STD	40	120-277	4 000	5 200	80	100 000	4
66877	LSV/N/40W/50K/120-277/DD1/FP/A1/STD	40	120-277	5 000	5 240	80	100 000	4
67075	LVT4/120-277/65W/40K/FR/A2/STD	65	120-277	4 000	8 450	80	100 000	4
67076	LVT4/120-277/65W/50K/FR/A2/STD	65	120-277	5 000	8 515	80	100 000	4
66198	LSV/N/35W/40K/347/DD1/FP/A1/STD	35	347	4 000	4 550	80	100 000	4
66199	LSV/N/52W/40K/347/DD1/FP/A1/STD	52	347	4 000	6 760	80	100 000	4
67077	LVT4/347/65W/40K/FR/A2/STD	65	347	4 000	8 580	80	100 000	4
67078	LVT4/347/65W/50K/FR/A2/STD	65	347	5 000	8 775	80	100 000	4



## Accessories

Order code	Description	Type	Compatible with
66878	LSV/N/LENS/FP/STD	Replacement Lens	All LSV/N and LVT4
67079	LVT4/ACC/STAINLESS STEEL CLIPS/STD	Stainless Steel Clips	All LSV/N and LVT4
67080 <sup>1</sup>	LVT4/ACC/PLASTIC CLIPS/STD	Plastic Clips	All LSV/N and LVT4
67341	LVT4/ACC/BACKET/STD	Mounting Bracket	All LSV/N and LVT4



Lumen values are derived from photometric testing  
 For a complete list of compatible dimmers and DLC qualified products, please visit [www.standardpro.com](http://www.standardpro.com)  
<sup>1</sup>Non-stocked items, contact STANDARD for lead time and minimum order quantity.





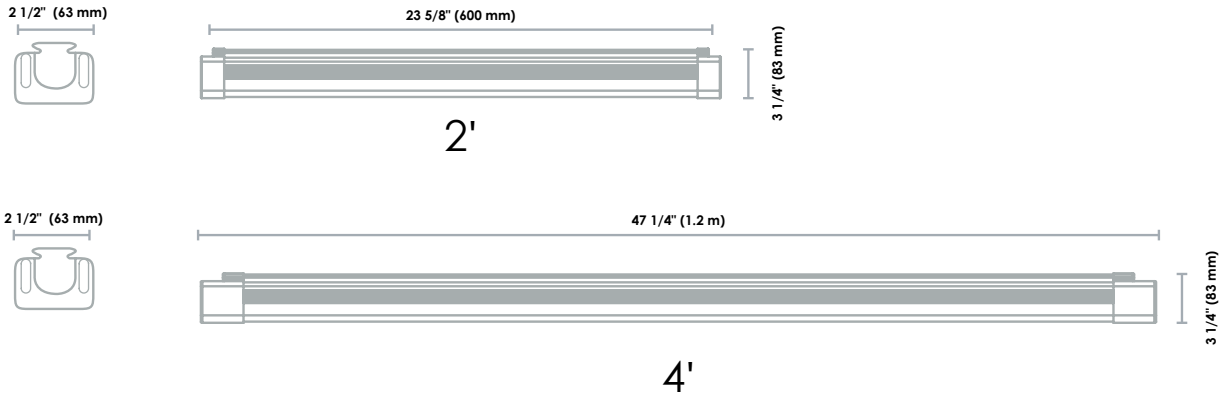
# LED Tri-proof

The LSVS Tri-Proof series is highly resistant to heavy impacts (IK10), water jets (IP66), dust, and temperature variations. This luminaire balances high performance lighting while providing minimum glare.

07



Order code	Description	Watts (W)	Volts (VAC)	Colour temp. (K)	Lumen output (lm)	CRI	Life L70 (hrs)	Case qty (master)
<b>2'</b>								
64922	LSVS/20W/2FT/40K/2/ND/FP/L/STD	20	120-277	4 000	1 900	80	63 000	6
<b>4'</b>								
64923	LSVS/40W/4FT/40K/2/ND/FP/L/STD	40	120-277	4 000	4 909	80	63 000	6
64924	LSVS/40W/4FT/40K/3/ND/FP/L/STD	40	347	4 000	4 909	80	63 000	6



07

## Accessory

Order code	Description	Type
64175	LSVS/ACC/AIRCAB/STD	Steel cables



## Included in the box

Connectors for linkable mounting  
 Mounting clips: one set per luminaire  
 One 6 ft (183 cm) cable, with one set of connectors at each end

