

Individual Spec Sheet

L1RSH-L

ROUND ECONOMIC AND HIGH PERFORMING LUMINAIRE

ORDERING INFORMATION

Order code: 68102
Model number: L1RSH-LS3-W/40K
UPC: 69549014299
Case quantity: 1

PHYSICAL DATA

Dimensions: 12 x 8.8" (305 mm x 223mm)
Lens Type: PC clear
Frame Material: Black Aluminum
Mounting: Hook + 10' cord

PERFORMANCE DATA

Watts (W): 204
Volts (VAC): 120-277
Colour temperature (K)¹: 4 000
Lumen output (lm)²: 32 772
Lumen per Watts (lm/W): 161
CRI: 80+
Life L70 (h)³: 151 000
Life L90 (h)³: 46 000
Beam angle (°): 110
THD (%): 9.38
Power factor: 0.9442
Dim Down Percentage (%): 10
Frequency (Hz): 50/60
Operating temp. range: -40°C to 45°C (-40°F to 113°F)

¹ Typical colour temperature range: +/- 5 %

² Lumen values are derived from photometric testing. Initial lumens range: +/- 10 %

³ Life hours are derived from IESNA LM80-08 testing report and projected per IESNA TM-21-11 extrapolations

COMPATIBLE ACCESSORIES

Order code	Type
68529	Aluminum reflector
68532	Clear PC reflector
68718	High frequency sensor
68536	Trunnion (± 90°)
68538	Safety cable

COMPATIBLE DIMMERS

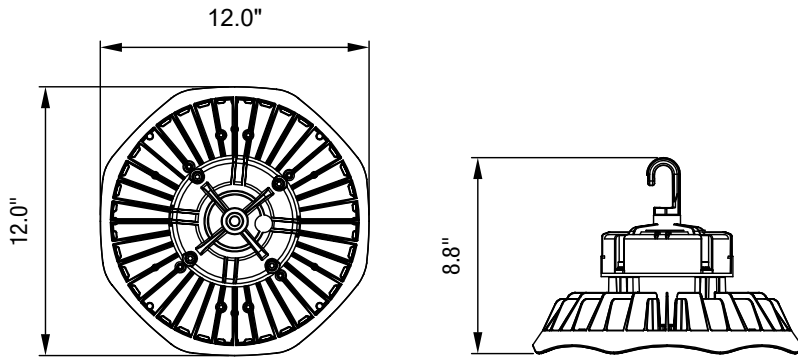
Brand	Model
LUTRON	DVSTV, DVTV
LEVITON	DS710
COOPER	SF10P
HUBBELL	LHD-IRS3-N-WH

NOTE: The above table shows dimmers that have been tested and have demonstrated proper operation under normal conditions. Each installation being unique, various factors such as load, common neutrals or other electrical products on the circuit can, in certain instances, cause variance in system performance. Read and comply to the dimmer installation instructions. Consult dimming system manufacturer for additional support in operation. Standard recommends to use dimmers designed to work with LED products. Older dimmers designed for incandescent products may cause erratic operation. Some dimmers may require more than one product for stable operation. The maximum number of products is determined by the dimmer wattage rating with LEDs. Be careful, these dimmers have different ratings depending on the product type. Again, refer to the dimmer installation instructions.

This lighting equipment complies with Canadian standard ICES-005 for use in residential applications. Data is based upon tests performed in a controlled environment. Actual performance can vary depending on operating conditions. Specifications are subject to change without notice.



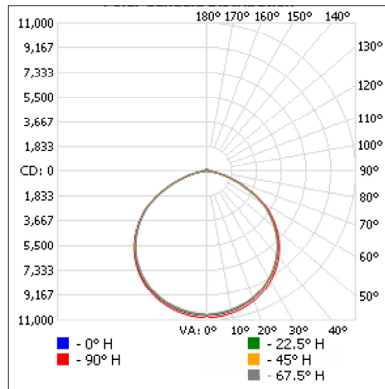
DIMENSIONS



PHOTOMETRIC DATA¹

68102 • L1RSH-LS3-W/40K • 30 614.9 lm

Polar candela distribution



Zonal lumen summary

Zone	Lumens	% Fixture
0-30	8 396.5	27.4%
0-40	13 876.0	45.3%
0-60	24 783.6	81%
60-90	5 432.0	17.7%
70-100	1 869.8	6.1%
90-120	174.2	0.6%
0-90	30 215.6	98.7%
90-180	399.3	1.3%
0-180	30 614.9	100%

Illuminance at a distance

Center beam fc		Beam width	
4.3'	575 fc	13.2'	13.4'
8.7'	140 fc	26.8'	27.2'
13.0'	62.9 fc	40.0'	40.6'
17.3'	35.5 fc	53.2'	54.1'
21.7'	22.6 fc	66.8'	67.8'
26.0'	15.7 fc	80.0'	81.3'

■ Vert. spread: 113.9°
■ Horiz. spread: 114.8°

¹ Complete IES files available on our website.

Qty	Description	Price

I accept the specifications of the luminaire configuration mentioned above.

Name: _____
 Company: _____
 Signature: _____

Date: _____

Data is based upon tests performed in a controlled environment. Actual performance can vary depending on operating conditions. All products are subject to change or may be discontinued any time without notice.