

OnCloud Room Controller

Smart Room Controller, Wi-Fi, 2.4 GHz
Control Devices

*** COMPATIBLE WITH ONCLOUD AND/OR WIZ CONNECTED FIXTURES ONLY.**

Features

Body

Durable polycarbonate body and included snap-on wall plate.

Performance

The Room Controller provides a maximum output of 600W for OnCloud and/or WiZ Connected devices.

Operation

Features an ON/OFF buttons, CCT and brightness control rockers, and previous/next scene buttons.

Radio Frequency

Certified IEEE 802.11, Wi-Fi 2.4Ghz radio.

Easy Installation

The Room Controller installs just like a regular in-wall switch. Replaces single pole / 3-way switches. Neutral wire required. NO HUB REQUIRED.

WiZ App

The Room Controller is added as an accessory in the WiZ app and communicates directly to the WiZ enabled light fixture (works with iOS and Android) from anywhere. Voice control can also be achieved by integrating the app with most smart speakers. Works with Google Assistant, Siri, Alexa and IFTTT.

Operating Temperature

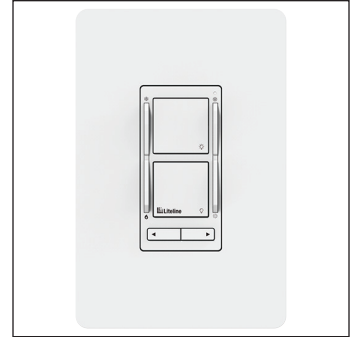
-5°C~45°C (23°F~113°F)

Environment

- Dry locations only.
- Suitable for indoor use only.

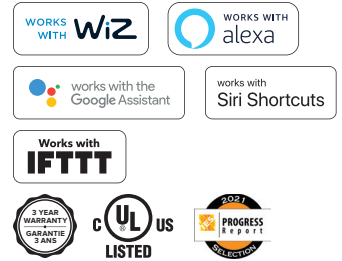
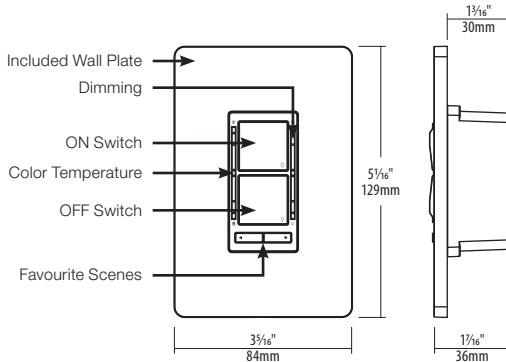
SPECIFICATION	
Approved Location	Dry / Indoor
Input Voltage	120Vac - 60 Hz
Certification	cULus, FCC
Compatible Load(s)	OnCloud and/or WiZ Connected products only
Maximum Power	600W
Output Current	5A
Power Consumption	Relay OFF: 0.07W
	Soft OFF: 0.79W
Wireless Frequency	2.4GHz
Wireless Standard	IEEE 802.11
Warranty	3-Year

Job Information		
Project Name		Type
Location		
Quantity		Date
Contact/Phone		
Notes		



Description

The OnCloud Room Controller works with any OnCloud and/or WiZ Connected light fixture. Always connected and communicates directly with the light fixture. No Hub required. Works even if internet / wireless network / Wi-Fi router is down.



Notes: Accessories are sold separately. For additional options please consult your Liteline representative. Due to our continued efforts to improve our products, product specifications are subject to change without notice.

Ordering Guide

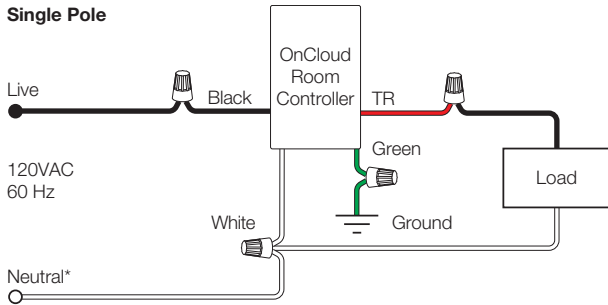


LC-CRTL-SCENE-1

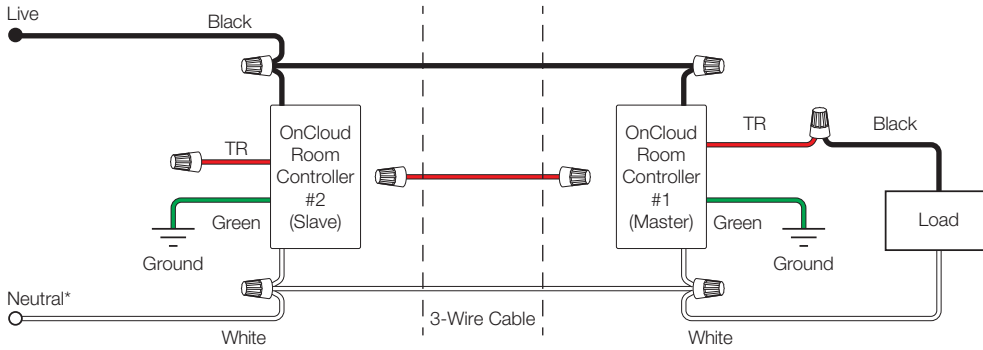
OnCloud Room Controller, 120V.

Wiring Diagram

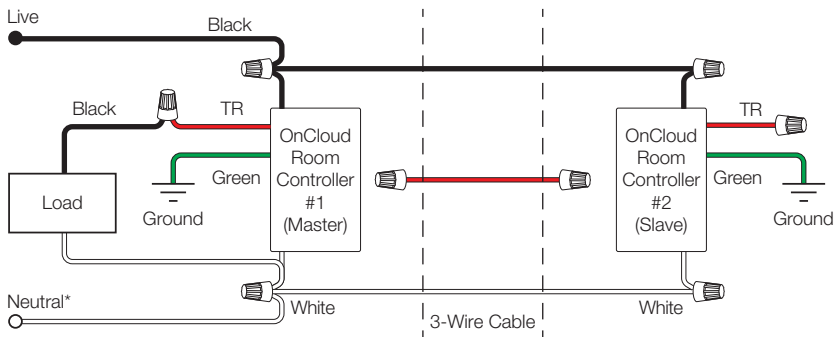
Single Pole



3-Way – Option 1



3-Way – Option 2



* Neutral wire is required.

TR indicates Traveler wires.

NOTE: Only the above 3-way wiring configurations are supported. Excluded wiring configurations include power going straight to the load, and no neutral wire going to device boxes.

NOTE 2: Additional Room Controllers may be added in the same room (physically and in app) for additional control locations. Additional Room Controllers do not need to be wired to the circuit, but must be in the same room and have constant power.

Network Topology

