

TRACK LIGHTING

NOVEMBER 2020





Table of Contents

VERSATILE TRACK FIXTURES

6. FLEX

10. DINE

TRACK HEADS

12. DELTA, APOLLO, SORA

14. FLIGHT SERIES

16. TEARDROP SERIES

19. ATF7630

20. ATF74

22. ATF75

24. FOCUS SERIES

28. WALL WASH

30. TRACK HEADS & ADAPTERS

TRACK

31. TRACK

32. RIGIDITY

33. TRIMLESS

34. TRACK SYSTEMS





VERSATILE LIGHTING

Liteline's robust lineup of track fixtures provides flexible lighting solutions for both residential and commercial applications, including but not limited to art galleries, retail and higher education. With a range of track compatibility including Halo and Juno, a variety of outputs, color temperatures, beam angles and accessories, our track collection can accommodate your project's needs.



LC-CRTL-DIM-1

GO SMART

Make any dimmable fixture smart by connecting the circuit to Liteline's new OnCloud DIMMER. It connects to your Wi-Fi through the WiZ app on your smartphone or tablet.

Manage lighting for multiple venues from the mobile or desktop application.

Create presets to automatically dim the lights to better suit the time of day. Easily go from a bright lunch setting to a dim dinner time setting.



YOUR VOICE IS THE KEY



THERE'S AN APP FOR THAT



SET THE SCENE



NO HUB NEEDED



MULTI-USER



MULTI-LOCATION

COMPATIBLE WITH





FLEX

ONE BODY, FIVE MOUNTING OPTIONS

This A-Line product is the perfect solution for creating a unified look when working with multiple ceiling types. The high output capabilities, beam angles and color temperatures make Flex a great choice for commercial, hospitality, higher education and healthcare applications. The slim body design of Flex having five mounting options and seven accessories, creates endless possibilities for your commercial project.



MOUNTING OPTIONS



ACCESSORIES



FLX15



DELIVERED
Up to 1350 lm

RATINGS
ETL
Intertek

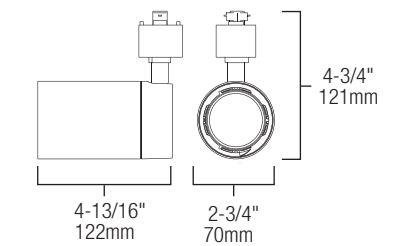
FINISH
WHITE (WH) BLACK (BK) SILVER (SL)

CCT
27 K 30 K 35 K 40 K

BEAM ANGLES



CRI
95



Ordering Guide

| Connector Type | Color Temperature | Beam Angle | Mounting | Finish |
|---|--|--|---|--|
| Blank | FLX15- | | | |
| A : A-Line Blank : For all other mounting options except track H : H-style L : L-style LL : Liteline P2 : 2-circuit Powergear P3 : 3-circuit Powergear | 27 : 2700 K 30 : 3000 K 35 : 3500 K 40 : 4000 K | 40 : 40° 15 : 15° 25 : 25° 60 : 60° | T - Track TP - Track Pendant P - Pendant F - Surface M - Monopoint | WH : White BK : Black SL : Silver |

FLX15-3040 : FLEX fixture, 15W, 3000 K, 40° beam spread.

| Polar Candela Distribution | | Beam Details | | Zonal Lumen Summary | | |
|----------------------------|--|--------------|--|---------------------|---------|-----------|
| | | | | Zone | Lumens% | Luminaire |
| | | | | 0-30 | 463.03 | 7.70% |
| | | | | 0-40 | 673.05 | 4.80% |
| | | | | 0-60 | 956.07 | 7.85% |
| | | | | 60-90 | 47.0 | 11.97% |
| | | | | 90-100 | 93.4 | 7.61% |
| | | | | 90-120 | 53.1 | 4.32% |
| | | | | 0-90 | 1103.0 | 89.82% |
| | | | | 90-180 | 81.7 | 6.65% |
| | | | | 0-180 | 228.01 | 00.00% |

FLX22



DELIVERED
Up to 2300 lm

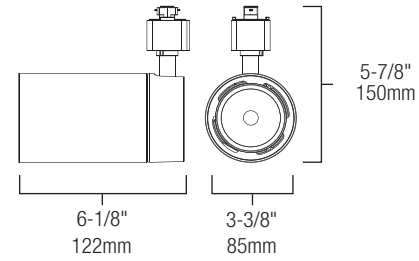
RATINGS
 Intertek

FINISH
WHITE (WH) BLACK (BK) SILVER (SL)

CCT
27 K 30 K 35 K 40 K

BEAM ANGLES
15° 25° 40° 60°

CRI
90



Ordering Guide

| Connector Type | Color Temperature | Beam Angle | Mounting | Finish |
|----------------|--|--|--|---|
| - FLX22 - | 27 : 2700 K 30 : 3000 K 35 : 3500 K 40 : 4000 K | 40 : 40° 15 : 15° 25 : 25° 60 : 60° | T - Track TP - Track Pendant P - Pendant F - Surface M - Monopoint | WH : White BK : Black SL : Silver |

QUICKSHIP (2-3 DAY)
Highlighted option denotes quick ship.

Highlighted option denotes quick ship.
P2 : 2-circuit Powergear
P3 : 3-circuit Powergear

FLX22-3040 : FLEX FIXTURE, 22W, 3000 K, 40° BEAM SPREAD

| Polar Candela Distribution | | Beam Details | | | | | Zonal Lumen Summary | | | | | | | | | | | | | | | | | | | | | | | | | | | | | | | | |
|----------------------------|--------|--------------|-------|-------|--|--|--|--|--|------|--------|-------------|------|-------|--------|------|--------|--------|------|--------|--------|-------|-------|--------|--------|-------|-------|--------|------|-------|------|--------|--------|--------|-------|-------|-------|--------|---------|
| | | | | | | | <table border="1"> <thead> <tr> <th>Zone</th> <th>Lumens</th> <th>% Luminaire</th> </tr> </thead> <tbody> <tr><td>0-30</td><td>834.0</td><td>35.93%</td></tr> <tr><td>0-40</td><td>1271.0</td><td>54.76%</td></tr> <tr><td>0-60</td><td>1866.0</td><td>80.40%</td></tr> <tr><td>60-90</td><td>258.0</td><td>11.12%</td></tr> <tr><td>70-100</td><td>143.0</td><td>6.16%</td></tr> <tr><td>90-120</td><td>69.3</td><td>2.99%</td></tr> <tr><td>0-90</td><td>2125.0</td><td>91.56%</td></tr> <tr><td>90-180</td><td>119.0</td><td>5.13%</td></tr> <tr><td>0-180</td><td>2321.0</td><td>100.00%</td></tr> </tbody> </table> | | | Zone | Lumens | % Luminaire | 0-30 | 834.0 | 35.93% | 0-40 | 1271.0 | 54.76% | 0-60 | 1866.0 | 80.40% | 60-90 | 258.0 | 11.12% | 70-100 | 143.0 | 6.16% | 90-120 | 69.3 | 2.99% | 0-90 | 2125.0 | 91.56% | 90-180 | 119.0 | 5.13% | 0-180 | 2321.0 | 100.00% |
| Zone | Lumens | % Luminaire | | | | | | | | | | | | | | | | | | | | | | | | | | | | | | | | | | | | | |
| 0-30 | 834.0 | 35.93% | | | | | | | | | | | | | | | | | | | | | | | | | | | | | | | | | | | | | |
| 0-40 | 1271.0 | 54.76% | | | | | | | | | | | | | | | | | | | | | | | | | | | | | | | | | | | | | |
| 0-60 | 1866.0 | 80.40% | | | | | | | | | | | | | | | | | | | | | | | | | | | | | | | | | | | | | |
| 60-90 | 258.0 | 11.12% | | | | | | | | | | | | | | | | | | | | | | | | | | | | | | | | | | | | | |
| 70-100 | 143.0 | 6.16% | | | | | | | | | | | | | | | | | | | | | | | | | | | | | | | | | | | | | |
| 90-120 | 69.3 | 2.99% | | | | | | | | | | | | | | | | | | | | | | | | | | | | | | | | | | | | | |
| 0-90 | 2125.0 | 91.56% | | | | | | | | | | | | | | | | | | | | | | | | | | | | | | | | | | | | | |
| 90-180 | 119.0 | 5.13% | | | | | | | | | | | | | | | | | | | | | | | | | | | | | | | | | | | | | |
| 0-180 | 2321.0 | 100.00% | | | | | | | | | | | | | | | | | | | | | | | | | | | | | | | | | | | | | |
| D | Lux | FC | L | W | | | | | | | | | | | | | | | | | | | | | | | | | | | | | | | | | | | |
| 4' | 3115 | 289 | 2.8' | 2.8' | | | | | | | | | | | | | | | | | | | | | | | | | | | | | | | | | | | |
| 8' | 779 | 72 | 5.6' | 5.6' | | | | | | | | | | | | | | | | | | | | | | | | | | | | | | | | | | | |
| 12' | 346 | 32 | 8.4' | 8.4' | | | | | | | | | | | | | | | | | | | | | | | | | | | | | | | | | | | |
| 16' | 195 | 18 | 11.2' | 11.2' | | | | | | | | | | | | | | | | | | | | | | | | | | | | | | | | | | | |
| 20' | 125 | 12 | 14' | 14' | | | | | | | | | | | | | | | | | | | | | | | | | | | | | | | | | | | |

FLX38



DELIVERED
Up to 4200 lm

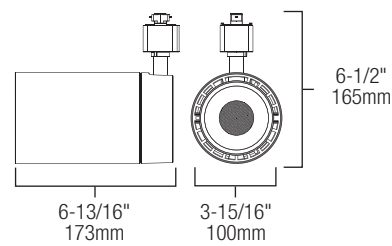
RATINGS
 Intertek

FINISH
WHITE (WH) BLACK (BK) SILVER (SL)

CCT
27 K 30 K 35 K 40 K

BEAM ANGLES
15° 25° 40° 60°

CRI
90



Ordering Guide

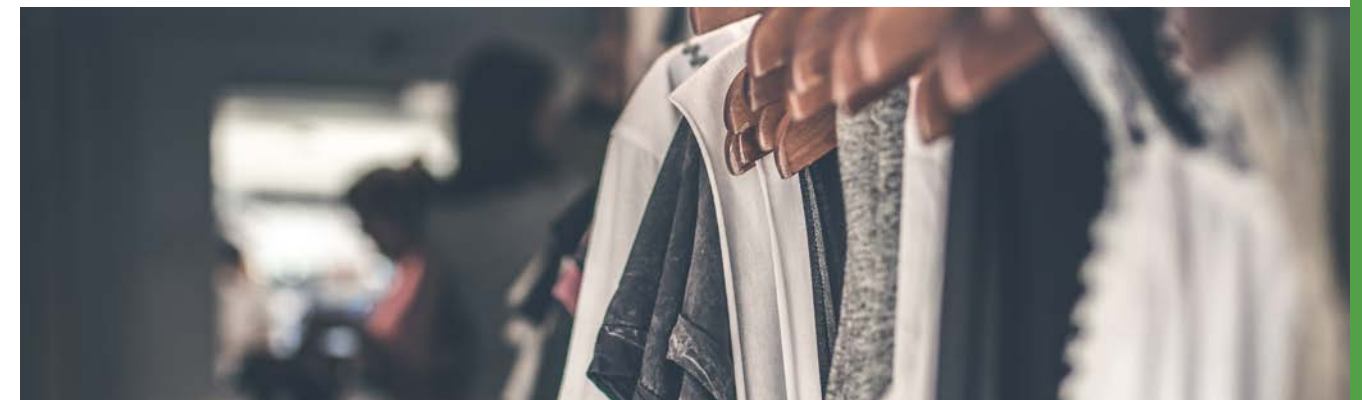
| Connector Type | Color Temperature | Beam Angle | Mounting | Finish |
|----------------|--|--|--|---|
| - FLX38 - | 27 : 2700 K 30 : 3000 K 35 : 3500 K 40 : 4000 K | 40 : 40° 15 : 15° 25 : 25° 60 : 60° | T - Track TP - Track Pendant P - Pendant F - Surface M - Monopoint | WH : White BK : Black SL : Silver |

QUICKSHIP (2-3 DAY)
Highlighted option denotes quick ship.

Highlighted option denotes quick ship.
P2 : 2-circuit Powergear
P3 : 3-circuit Powergear

FLX38-3040 : FLEX FIXTURE, 38W, 3000 K, 40° BEAM SPREAD

| Polar Candela Distribution | | Beam Details | | | | | Zonal Lumen Summary | | | | | | | | | | | | | | | | | | | | | | | | | | | | | | | | |
|----------------------------|---------|--------------|--------|------|--|--|--|--|--|------|---------|-----------|------|--------|--------|------|--------|--------|------|--------|--------|-------|------|-------|--------|--------|------|--------|-------|-------|------|--------|--------|--------|-------|-------|-------|--------|--------|
| | | | | | | | <table border="1"> <thead> <tr> <th>Zone</th> <th>Lumens%</th> <th>Luminaire</th> </tr> </thead> <tbody> <tr><td>0-30</td><td>1696.0</td><td>39.48%</td></tr> <tr><td>0-40</td><td>2534.0</td><td>58.99%</td></tr> <tr><td>0-60</td><td>3527.0</td><td>82.10%</td></tr> <tr><td>60-90</td><td>61.0</td><td>8.40%</td></tr> <tr><td>70-100</td><td>259.06</td><td>.03%</td></tr> <tr><td>90-120</td><td>186.0</td><td>4.33%</td></tr> <tr><td>0-90</td><td>3887.0</td><td>90.48%</td></tr> <tr><td>90-180</td><td>300.0</td><td>6.98%</td></tr> <tr><td>0-180</td><td>296.01</td><td>00.00%</td></tr> </tbody> </table> | | | Zone | Lumens% | Luminaire | 0-30 | 1696.0 | 39.48% | 0-40 | 2534.0 | 58.99% | 0-60 | 3527.0 | 82.10% | 60-90 | 61.0 | 8.40% | 70-100 | 259.06 | .03% | 90-120 | 186.0 | 4.33% | 0-90 | 3887.0 | 90.48% | 90-180 | 300.0 | 6.98% | 0-180 | 296.01 | 00.00% |
| Zone | Lumens% | Luminaire | | | | | | | | | | | | | | | | | | | | | | | | | | | | | | | | | | | | | |
| 0-30 | 1696.0 | 39.48% | | | | | | | | | | | | | | | | | | | | | | | | | | | | | | | | | | | | | |
| 0-40 | 2534.0 | 58.99% | | | | | | | | | | | | | | | | | | | | | | | | | | | | | | | | | | | | | |
| 0-60 | 3527.0 | 82.10% | | | | | | | | | | | | | | | | | | | | | | | | | | | | | | | | | | | | | |
| 60-90 | 61.0 | 8.40% | | | | | | | | | | | | | | | | | | | | | | | | | | | | | | | | | | | | | |
| 70-100 | 259.06 | .03% | | | | | | | | | | | | | | | | | | | | | | | | | | | | | | | | | | | | | |
| 90-120 | 186.0 | 4.33% | | | | | | | | | | | | | | | | | | | | | | | | | | | | | | | | | | | | | |
| 0-90 | 3887.0 | 90.48% | | | | | | | | | | | | | | | | | | | | | | | | | | | | | | | | | | | | | |
| 90-180 | 300.0 | 6.98% | | | | | | | | | | | | | | | | | | | | | | | | | | | | | | | | | | | | | |
| 0-180 | 296.01 | 00.00% | | | | | | | | | | | | | | | | | | | | | | | | | | | | | | | | | | | | | |
| D | Lux | FC | L | W | | | | | | | | | | | | | | | | | | | | | | | | | | | | | | | | | | | |
| 4' | 6761 | 6282 | .6'2 | .6' | | | | | | | | | | | | | | | | | | | | | | | | | | | | | | | | | | | |
| 8' | 1690 | 1575 | .15 | .1' | | | | | | | | | | | | | | | | | | | | | | | | | | | | | | | | | | | |
| 12'7 | 51 | 70 | 7.7' | 7.7' | | | | | | | | | | | | | | | | | | | | | | | | | | | | | | | | | | | |
| 16'4 | 23 | 39 | 10.2'1 | 0.2' | | | | | | | | | | | | | | | | | | | | | | | | | | | | | | | | | | | |
| 20'2 | 70 | 25 | 12.8'1 | 2.8' | | | | | | | | | | | | | | | | | | | | | | | | | | | | | | | | | | | |





DINE

SERIES

Looking to create a cozy and inviting experience? The DINE Series offers Dim-to-Warm capabilities, a range of beam angles and a designer inspired finish to set the mood for your hospitality application, providing a warm and precise cone of light over dining tables. DINE also gives you on-site flexibility of light cut-off with an adjustable screw, allowing for zero glare.



Chotto Matte. Toronto, ON
Architect: Andy Martin Architecture
Models Shown: T-A-LEDDNG-SN4-BK

MOUNTING OPTIONS



MONOPOINT

SURFACE

TRACK

PENDANT

TRACK PENDANT

ACCESSORIES



1" SNOOT



2" SNOOT



4" SNOOT

T-LEDDNG



DELIVERED
Up to 900 lm

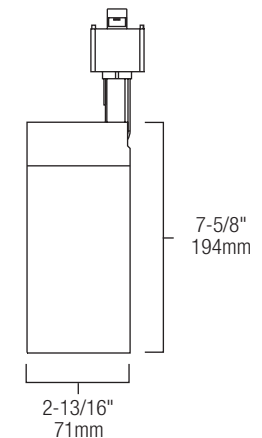
RATINGS
ETL Intertek

FINISH
WHITE (WH) BLACK (BK)

CCT
30K-20K
DIM TO WARM

BEAM ANGLES
25° at 4" Snoot 35° at 2" Snoot 40° at 1" Snoot

CRI
95



Ordering Guide

| Mounting | Track Connector | Snoot Size | Finish |
|--|---|---|--|
| <input type="checkbox"/> | <input type="checkbox"/> | - LEDDNG - | <input type="checkbox"/> |
| T : Track TP : Track Pendant SP : Pendant RP : Recessed Pendant SF : Surface RF : Recessed Surface MP : Monopoint | Blank : For all other mounting options except track A : A-Line C : C-style H : H-style L : L-style LL : Liteline P2 : Powergear 2-circuit P3 : Powergear 3-circuit | SN1 : 1" Snoot SN2 : 2" Snoot SN4 : 4" Snoot | WH : White BK : Black |



Bar Burrito, Pickering, ON
Models Shown: DA2010-3038-80BK

APOLLO, DELTA, & SORA

The APOLLO and SORA fixtures feature updated integrated LED technology in a traditional track style. The newest member of this fixture family, DELTA, has a slender profile and the addition of a 40 K color temperature option. Their competitive price point, compact size, 358-degree rotation and 90-degree tilt make them ideal for residential and light commercial applications.



APOLLO: AO1008



DELIVERED
Up to 605 lm

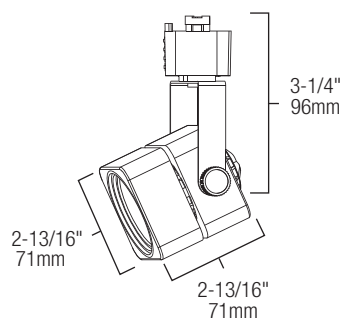
RATINGS
Energy Star
ETL
Intertek

FINISH
WHITE (WH) BLACK (BK) SILVER (SL)

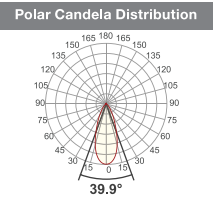
CCT
27 K 30 K

BEAM ANGLES
38°

CRI
90



AO1008-3038-WH: 8W APOLLO TRACK FIXTURE, 3000 K, 38° BEAM SPREAD, WHITE



| D | Lux | FC | L | W |
|-----|-----|----|-------|-------|
| 4' | 619 | 57 | 2.9' | 2.9' |
| 8' | 155 | 14 | 5.8' | 5.8' |
| 12' | 69 | 6 | 8.7' | 8.7' |
| 16' | 39 | 4 | 11.6' | 11.6' |
| 20' | 25 | 2 | 14.5' | 14.5' |

| Zone | Lumens | % Lum |
|--------|--------|--------|
| 0-30 | 398.8 | 6 |
| 0-40 | 479.2 | 96.3% |
| 0-60 | 544.9 | 79.7% |
| 60-90 | 24.7 | 0.7% |
| 70-100 | 18.4 | 4.1% |
| 90-120 | 12.9 | 2.1% |
| 0-90 | 569.6 | 93.1% |
| 90-180 | 31.4 | 2.1% |
| 0-180 | 601.0 | 104.8% |
| | | 5.2% |
| | | 0.0% |

Ordering Guide

Connector Type: - **AO1008** -

Color Temp.: 27 : 2700 K 30 : 3000 K

Beam Angle: 38 : 38°

Finish: WH : White BK : Black SL : Silver

Blank : A-Line
LL : L-style
L : L-style
H : H-style

Highlighted option denotes quick ship.

DELTA: DA2010



DELIVERED
Up to 1000 lm
For 80 CRI

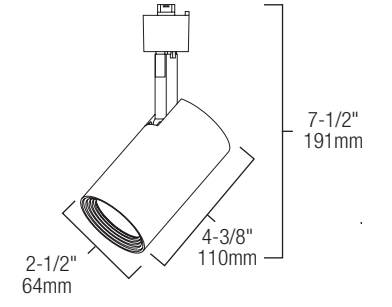
RATINGS
Energy Star
ETL
Intertek
Energy Star for 90 CRI

FINISH
WHITE (WH) BLACK (BK) SILVER (SL)

CCT
27 K 30 K 35 K 40 K

BEAM ANGLES
38°

CRI
80, 90



Ordering Guide

Connector Type: - **DA2010** -

Color Temp.: 27 : 2700 K 30 : 3000 K 40 : 4000 K

Beam Angle: 38 : 38°

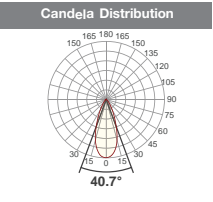
CRI: 80 : 80 CRI 90 : 90 CRI

Finish: WH : White BK : Black SL : Silver

Blank : A-Line
LL : L-style
H : H-style
L : L-style

Highlighted option denotes quick ship.

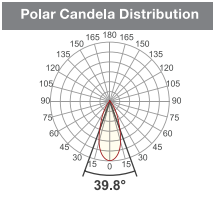
DA2010-3038-80WH: 10W DELTA TRACK FIXTURE, 3000 K, 38° BEAM SPREAD, 80 CRI, WHITE



| D | Lux | FC | L | W |
|-----|------|----|-------|-------|
| 4' | 1046 | 97 | 3' | 3' |
| 8' | 261 | 24 | 5.9' | 5.9' |
| 12' | 116 | 11 | 8.9' | 8.9' |
| 16' | 65 | 6 | 11.9' | 11.9' |
| 20' | 42 | 4 | 14.8' | 14.8' |

| Zone | Lumens | % Luminaire |
|--------|--------|-------------|
| 0-30 | 3163 | 1.79% |
| 0-40 | 4914 | 9.40% |
| 0-60 | 7537 | 5.75% |
| 60-90 | 83 | 18.41% |
| 70-100 | 1321 | 3.28% |
| 90-120 | 69.6 | 7.00% |
| 0-90 | 9369 | 4.16% |
| 90-180 | 109 | 10.97% |
| 0-180 | 94 | 100.00% |

DA2010-3038-WH: 9W DELTA TRACK FIXTURE, 3000 K, 38° BEAM SPREAD, 90 CRI, WHITE



| D | Lux | FC | L | W |
|-----|-----|----|-------|-------|
| 4' | 738 | 69 | 2.9' | 2.9' |
| 8' | 184 | 17 | 5.8' | 5.8' |
| 12' | 82 | 8 | 8.7' | 8.7' |
| 16' | 46 | 4 | 11.6' | 11.6' |
| 20' | 30 | 3 | 14.5' | 14.5' |

| Zone | Lumens | % Luminaire |
|--------|--------|-------------|
| 0-30 | 475.7 | 69.1% |
| 0-40 | 567.4 | 82.5% |
| 0-60 | 633.0 | 92.0% |
| 60-90 | 23.3 | 3.4% |
| 70-100 | 16.8 | 2.4% |
| 90-120 | 12.5 | 1.8% |
| 0-90 | 656.3 | 95.4% |
| 90-180 | 31.8 | 4.6% |
| 0-180 | 688.1 | 100.0% |

SORA: SO1008



DELIVERED
Up to 611 lm

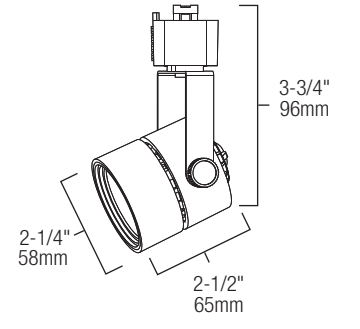
RATINGS
Energy Star
ETL
Intertek

FINISH
WHITE (WH) BLACK (BK) SILVER (SL)

CCT
27 K 30 K

BEAM ANGLES
38°

CRI
90



Ordering Guide

Connector Type: - **SO1008** -

Color Temp.: 27 : 2700 K 30 : 3000 K

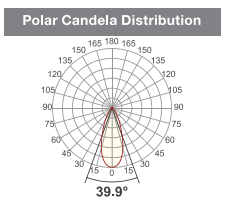
Beam Angle: 38 : 38°

Finish: WH : White BK : Black SL : Silver

Blank : A-Line
LL : L-style
H : H-style
L : L-style

Highlighted option denotes quick ship.

SO1008-3038-WH: 8W SORA TRACK FIXTURE, 3000 K, 38° BEAM SPREAD, WHITE



| D | Lux | FC | L | W |
|-----|-----|----|-------|-------|
| 4' | 619 | 57 | 2.9' | 2.9' |
| 8' | 155 | 14 | 5.8' | 5.8' |
| 12' | 69 | 6 | 8.7' | 8.7' |
| 16' | 39 | 4 | 11.6' | 11.6' |
| 20' | 25 | 2 | 14.5' | 14.5' |

| Zone | Lumens | % Luminaire |
|--------|--------|-------------|
| 0-30 | 398.8 | 66.3% |
| 0-40 | 479.2 | 73.7% |
| 0-60 | 544.9 | 90.7% |
| 60-90 | 24.7 | 4.1% |
| 70-100 | 18.4 | 3.1% |
| 90-120 | 12.9 | 2.1% |
| 0-90 | 569.6 | 94.8% |
| 90-180 | 31.4 | 5.2% |
| 0-180 | 601.0 | 100.0% |

FLIGHT SERIES



Point perfect! With beam angles as tight as 6°, the Flight Series is the ideal choice for emphasizing focused light from a distance. Its small body profile, three finish choices and wide range of beam angles make Flight the recommended fixture for your residential projects.

ATF7610



DELIVERED
Up to 640 lm

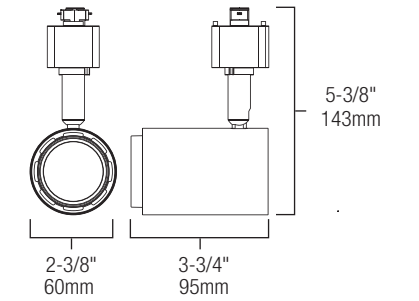
RATINGS
Intertek

FINISH
WHITE (WH) BLACK (BK) SILVER (SL)

CCT
30 K

BEAM ANGLES
25° 40° 60°

CRI
90+

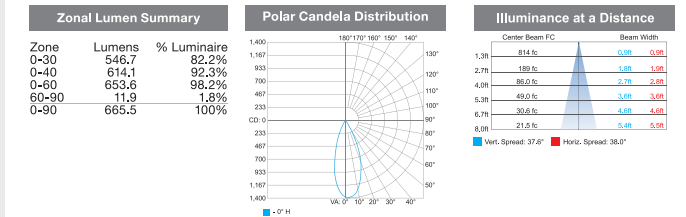


Ordering Guide

| Connector Type | Color Temp. | Beam Spread | CRI | Finish |
|------------------------------------|--------------------------------------|---|-------------------------------------|--|
| <input type="checkbox"/> - ATF7610 | <input type="checkbox"/> 30 : 3000 K | <input type="checkbox"/> 40 : 40° <input type="checkbox"/> 25 : 25° <input type="checkbox"/> 60 : 60° | <input type="checkbox"/> 90 : 90CRI | <input type="checkbox"/> WH : White <input type="checkbox"/> BK : Black <input type="checkbox"/> SL : Silver |

QUICKSHIP 7-DAY
Blank : A-Line
LL : Lifeline
H : H-Style
L : L-Style
P2 : 2-circuit Powergear
P3 : 3-circuit Powergear

ATF7610-3040 : LED TRACK HEAD, 10W, 3000 K, 40° BEAM SPREAD



ATF7610-DTW



DELIVERED
Up to 610 lm

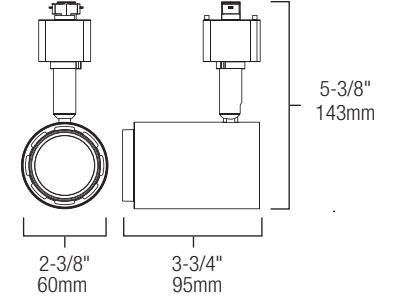
RATINGS
Intertek

FINISH
WHITE (WH) BLACK (BK) SILVER (SL)

CCT
Dim to Warm

BEAM ANGLES
25° 40° 60°

CRI
95

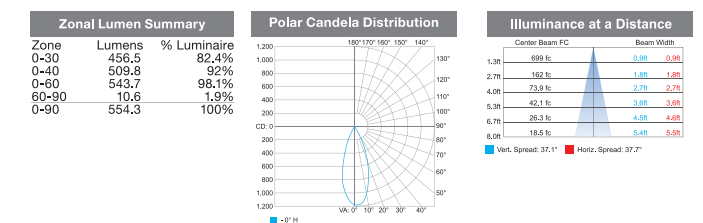


Ordering Guide

| Connector Type | Beam Spread | Finish |
|--|---|--|
| <input type="checkbox"/> - ATF7610-DTW | <input type="checkbox"/> 40 : 40° <input type="checkbox"/> 25 : 25° <input type="checkbox"/> 60 : 60° | <input type="checkbox"/> WH : White <input type="checkbox"/> BK : Black <input type="checkbox"/> SL : Silver |

QUICKSHIP 7-DAY
Blank : A-Line
LL : Lifeline
H : H-Style
L : L-Style
P2 : 2-circuit Powergear
P3 : 3-circuit Powergear

ATF7610-DTW40 : LED TRACK HEAD, 10W, 3000 K, 40° BEAM SPREAD



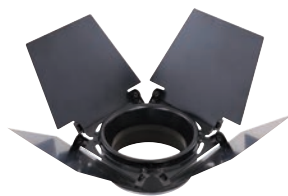
TEARDROP SERIES

The Teardrop track series is one of our most powerful lineups, with delivered lumens of up to 3000. The unique body shape, wide range of color temperature options, and accessories allow for greater control to set the mood for your commercial space.



Detox Market, New York, New York, USA
Architect: Suulin Architects
Models Shown: ATF8514-3040-90WH

ACCESSORIES



BARN DOORS



HONEYCOMB



SNOOT



OVAL SNOOT

ATF8514



DELIVERED
Up to 1115 lm

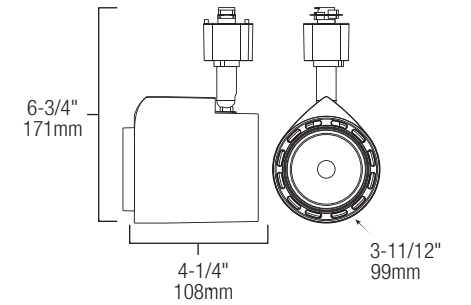
RATINGS
ETL
Intertek

FINISH
WHITE (WH) BLACK (BK) SILVER (SL)

CCT
27 K 30 K 35 K 40 K 50 K DIM TO WARM

BEAM ANGLES
15° 40° 60°

CRI
90+

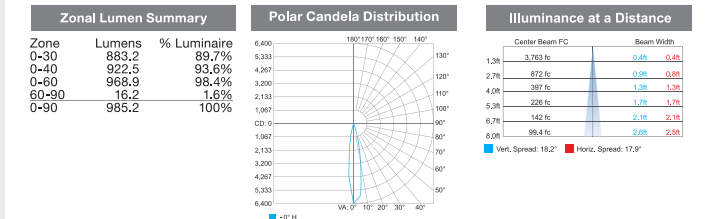


Ordering Guide

| Connector Type | Color Temp. | Beam Spread | CRI | Finish |
|----------------|-------------|-------------|--------------|-------------|
| Blank | 27 : 2700 K | 40 : 40° | 90 : 90+ CRI | WH : White |
| LL | 30 : 3000 K | 15 : 15° | | BK : Black |
| H | 35 : 3500 K | | | SL : Silver |
| L | 50 : 5000 K | | | |
| P2 | | | | |
| P3 | | | | |

QUICKSHIP 7-DAY

ATF8514-3025-90: LED TRACK HEAD, 14W, 3000 K, 25° BEAM SPREAD, 90 CRI



ATF8522



DELIVERED
Up to 1700 lm

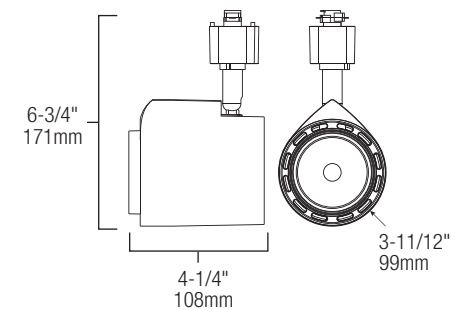
RATINGS
ETL
Intertek

FINISH
WHITE (WH) BLACK (BK) SILVER (SL)

CCT
27 K 30 K 35 K 40 K 50 K

BEAM ANGLES
15° 25° 40° 60°

CRI
90+

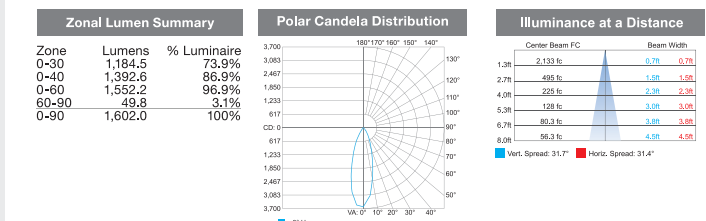


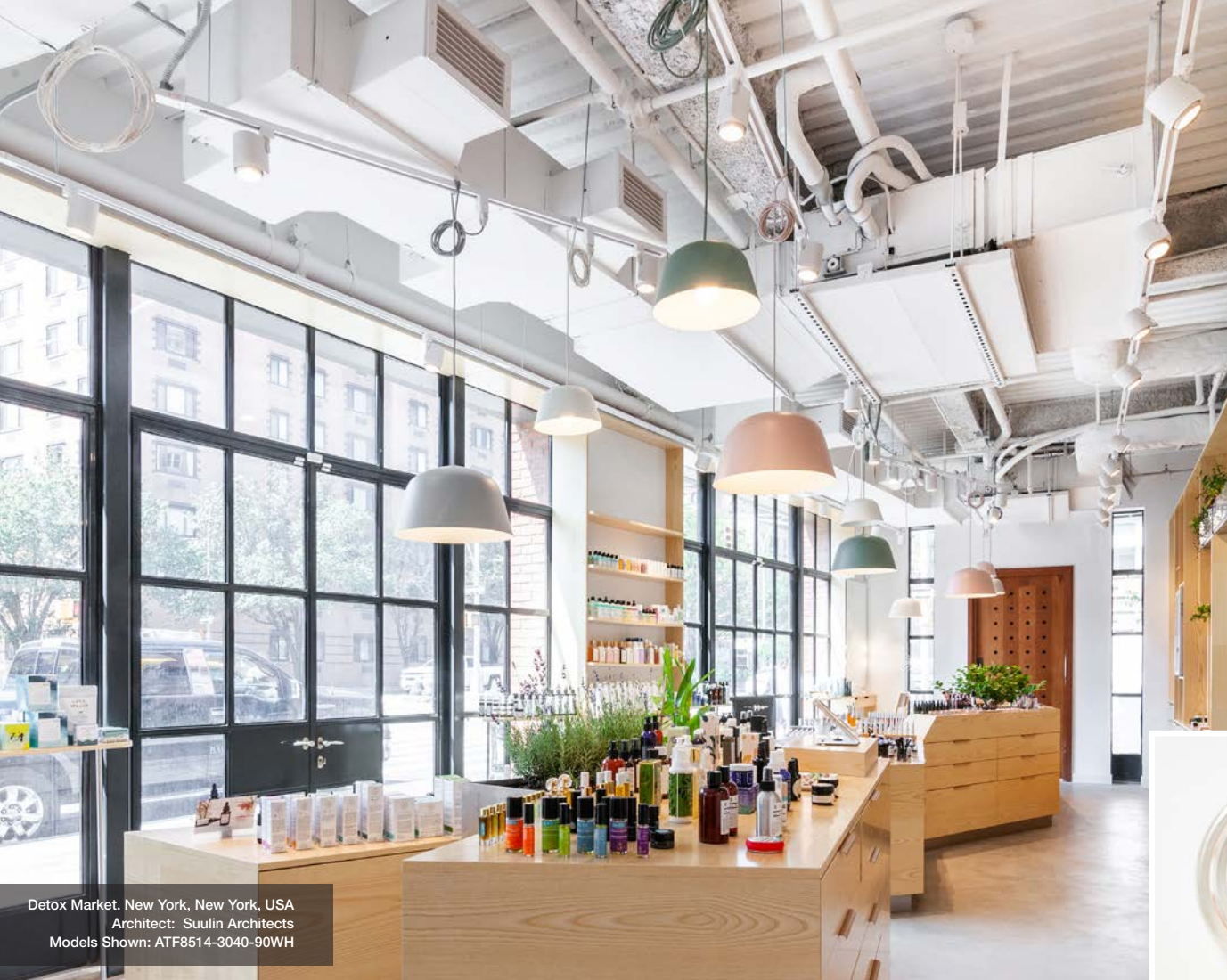
Ordering Guide

| Connector Type | Color Temp. | Beam Spread | CRI | Finish |
|----------------|-------------|-------------|--------------|-------------|
| Blank | 27 : 2700 K | 40 : 40° | 90 : 90+ CRI | WH : White |
| LL | 30 : 3000 K | 15 : 15° | | BK : Black |
| H | 35 : 3500 K | 60 : 60° | | SL : Silver |
| L | 50 : 5000 K | | | |
| P2 | | | | |
| P3 | | | | |

QUICKSHIP 7-DAY

ATF8522-3025-90: LED TRACK HEAD, 22W, 3000 K, 25° BEAM SPREAD, 90 CRI





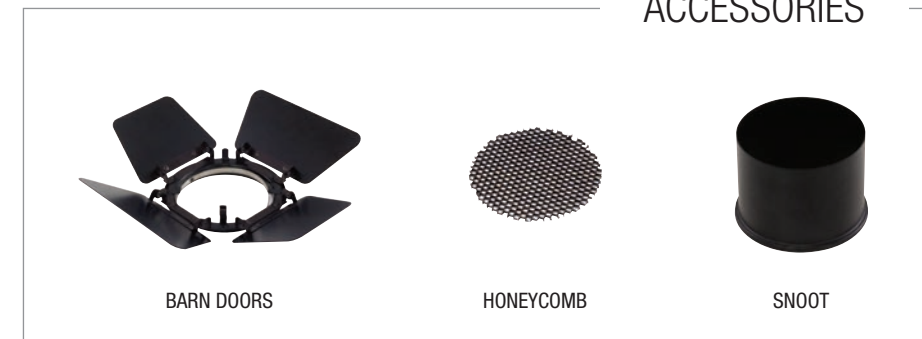
Detox Market, New York, New York, USA
Architect: Suulin Architects
Models Shown: ATF8514-3040-90WH



ATF7630

The ATF7630 is a 30W LED track fixture that offers a powerful lumen package of up to 2200 lumens. Pair it with a variety of accessories including barn doors for tailored beam angles.

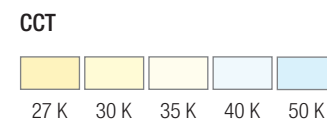
ACCESSORIES



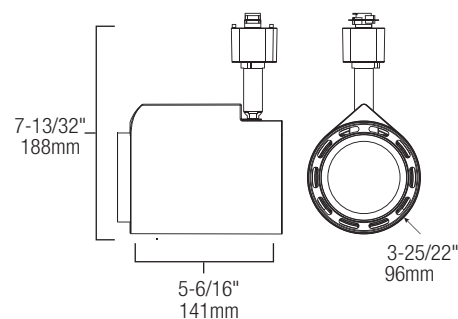
ATF8536



DELIVERED
Up to 3180 lm



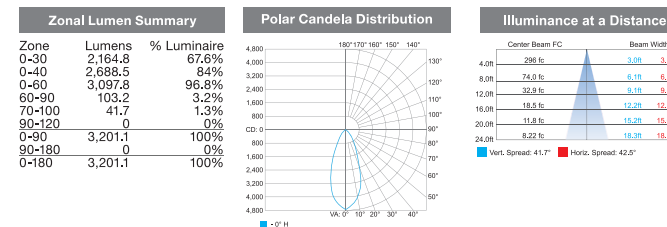
CRI
90+



Ordering Guide

| Connector Type | Color Temp. | Beam Spread | CRI | Finish |
|---------------------------------|--------------------|-----------------|---------------------|--------------------|
| Blank : A-Line | 27 : 2700 K | 40 : 40° | 90 : 90+ CRI | WH : White |
| LL : LiteLine | 35 : 3500 K | 25 : 25° | | BK : Black |
| H : H-Style | 30 : 3000 K | 60 : 60° | | SL : Silver |
| L : L-Style | 40 : 4000 K | | | |
| P2 : 2-circuit Powergear | 50 : 5000 K | | | |
| P3 : 3-circuit Powergear | | | | |

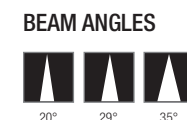
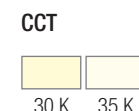
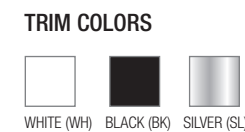
ATF8536-3040-90: LED TRACK HEAD, 36W, 3000 K, 40° BEAM SPREAD, 90 CRI



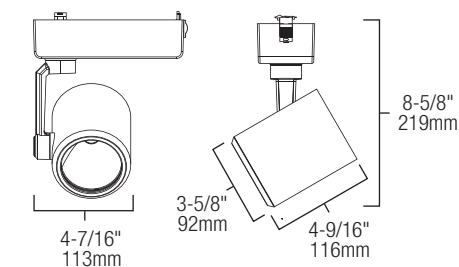
ATF7630



DELIVERED
Up to 2200 lm



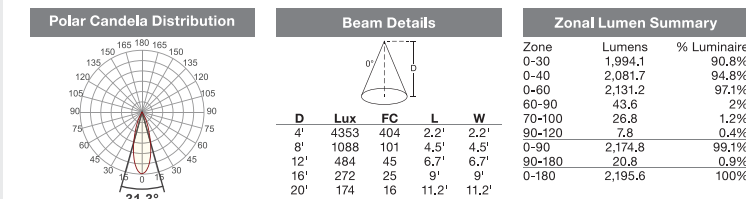
CRI
90+



Ordering Guide

| Connector Type | Color Temp. | Beam Spread | Finish |
|---------------------------------|--------------------|-----------------|--------------------|
| Blank : A-Line | 30 : 3000 K | 29 : 29° | WH : White |
| H : H-Style | 35 : 3500 K | 20 : 20° | BK : Black |
| L : LiteLine | | 35 : 35° | SL : Silver |
| P2 : 2-circuit Powergear | | | |
| P3 : 3-circuit Powergear | | | |

ATF7630-3029: LED TRACK HEAD, 30W, 3000 K, 29° BEAM SPREAD



ATF74 SERIES

This track series is a versatile solution for your commercial applications. It is available in both 15W and 25W, a wide range of beam angles, a commanding 2250 lumens delivered and Dim-to-Warm capabilities on select models.



Whole Foods Grocery Store, Mississauga, ON
Models Shown: AATF7415-3038

ACCESSORIES



HONEYCOMB (HC)



SNOOT (SN)

ATF7415



DELIVERED
Up to 1220 lm

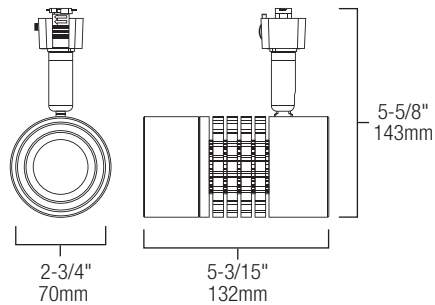
RATINGS
Energy Star
cUL US LISTED

FINISH
WHITE (WH) BLACK (BK)

CCT
30 K 35 K 40 K

BEAM ANGLES
15° 20° 38° 60°

CRI
90



Ordering Guide

| Connector Type | Color Temp. | Beam Spread | CRI / Finish |
|----------------|-------------|-------------|----------------------|
| Blank | 30 : 3000 K | 38 : 38° | 90WH : 90 CRI, White |
| LL | 35 : 3500 K | 15 : 15° | 90BK : 90 CRI, Black |
| H | 40 : 4000 K | 20 : 20° | |
| P2 | | 60 : 60° | |

Highlighted option denotes quick ship.

ATF7415-3038-90BK : LED Track Head, 15W, 3000 K, 38° Beam Spread, 90 CRI

| Zonal Lumen Summary | | | Polar Candela Distribution | | Beam Details | | |
|---------------------|--------|-------------|----------------------------|--|--------------|------|-----|
| Zone | Lumens | % Luminaire | Candela Distribution Graph | | D | Lux | FC |
| 0-30 | 989 | 80.87% | | | 4' | 1881 | 175 |
| 0-40 | 1091 | 89.21% | | | 8' | 470 | 44 |
| 0-60 | 1155 | 94.44% | | | 12' | 209 | 19 |
| 60-90 | 36.4 | 2.98% | | | 16' | 118 | 11 |
| 70-100 | 27.0 | 2.21% | | | 20' | 75 | 7 |
| 90-120 | 15.0 | 1.23% | | | | | |
| 0-90 | 1192 | 97.47% | | | | | |
| 90-180 | 31.1 | 2.54% | | | | | |
| 0-180 | 1223 | 100% | | | | | |

ATF7415



DELIVERED
Up to 1120 lm

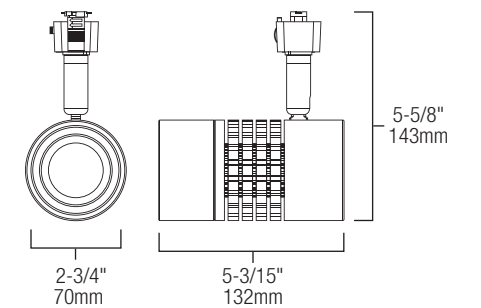
RATINGS
Energy Star
cUL US LISTED

FINISH
WHITE (WH) BLACK (BK)

CCT
Dim to Warm

BEAM ANGLES
15° 20° 38° 60°

CRI
90+



Ordering Guide

| Connector Type | Beam Spread | Finish |
|----------------|-------------|------------|
| Blank | 38 : 38° | WH : White |
| H | | BK : Black |
| P2 | | |
| P3 | | |

Blank : A-Line
H : H-Style
L : L-Style
P2 : 2-circuit Powergear
P3 : 3-circuit Powergear

ATF7415-DTW-38: 15W, Dim-to-Warm LED Track, 2750 K, 38° BEAM ANGLE

| Zonal Lumen Summary | | | Polar Candela Distribution | | Illuminance at a Distance | |
|---------------------|---------|-------------|----------------------------|--|---------------------------|------------|
| Zone | Lumens | % Luminaire | Candela Distribution Graph | | Center Beam FC | Beam Width |
| 0-30 | 877.4 | 85.5% | | | 637.3 ft. | 1.2 ft. |
| 0-40 | 962.5 | 93.8% | | | 456.3 ft. | 2.0 ft. |
| 0-60 | 1,011.0 | 98.5% | | | 378.8 ft. | 3.2 ft. |
| 60-90 | 15.0 | 1.5% | | | 25.5 ft. | 6.2 ft. |
| 0-90 | 1,026.1 | 100% | | | | |

ATF7425



DELIVERED
Up to 2375 lm

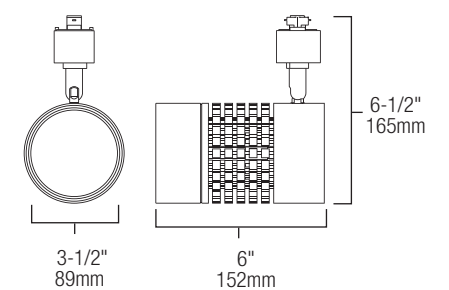
RATINGS
Energy Star
cUL US LISTED

FINISH
WHITE (WH) BLACK (BK) SILVER (SL)

CCT
30 K 35 K 40 K

BEAM ANGLES
15° 25° 38°

CRI
80



Ordering Guide

| Connector Type | Color Temp. | Beam Spread | Finish |
|----------------|-------------|-------------|-------------|
| Blank | 30 : 3000 K | 38 : 38° | WH : White |
| LL | 35 : 3500 K | 15 : 15° | BK : Black |
| H | 40 : 4000 K | 25 : 25° | SL : Silver |
| P2 | | | |
| P3 | | | |

Blank : A-Line
LL : L-Line
H : H-Style
P2 : 2-circuit Powergear
P3 : 3-circuit Powergear

ATF7425-3038-WH: LED TRACK HEAD, 25W, 3000 K, 38° BEAM SPREAD

| Zonal Lumen Summary | | | Polar Candela Distribution | | Illuminance at a Distance | |
|---------------------|---------|-------------|----------------------------|--|---------------------------|------------|
| Zone | Lumens | % Luminaire | Candela Distribution Graph | | Center Beam FC | Beam Width |
| 0-30 | 1,844.4 | 73.6% | | | 959.2 ft. | 1.0 ft. |
| 0-40 | 2,182.7 | 86.3% | | | 739.8 ft. | 2.0 ft. |
| 0-60 | 2,408.9 | 96.1% | | | 606.8 ft. | 4.4 ft. |
| 60-90 | 90.6 | 3.6% | | | 59.9 ft. | 5.0 ft. |
| 70-100 | 33.1 | 1.3% | | | 38.4 ft. | 7.3 ft. |
| 90-120 | 0.9 | 0% | | | | |
| 0-90 | 2,499.4 | 99.7% | | | | |
| 90-180 | 8.0 | 0.3% | | | | |
| 0-180 | 2,507.4 | 100% | | | | |

ATF75 SERIES

Designed for residential, gallery task and accent lighting, the ATF75 series is available in 8.5W with up to 680 delivered lumens and 45W with up to 2250 delivered lumens. Dim-to-Warm color temperature capabilities are available on select models.



Private Residence, Canada.
Interior: Audacious Interiors Ltd.
Models Shown: ATF7509-3038-90WH

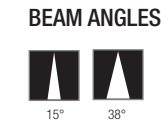
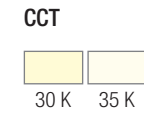
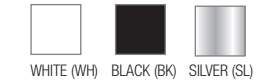
ATF7545



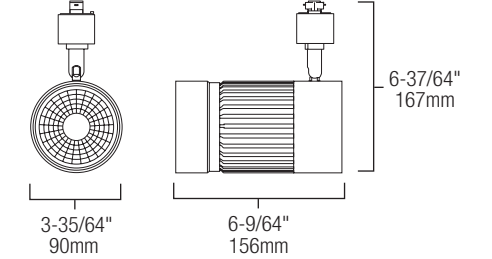
DELIVERED
Up to 4428 lm



FINISH



CRI
80+

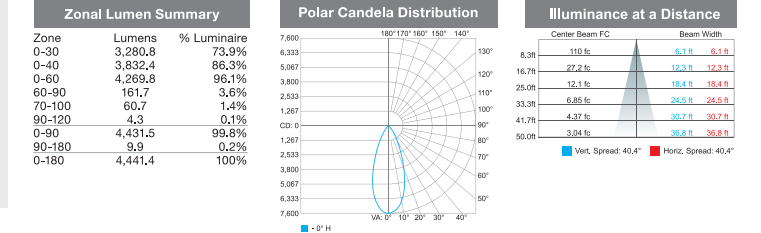


Ordering Guide

| Connector Type | Color Temp. | Beam Spread | Finish |
|--------------------------------|--------------------------------------|-----------------------------------|--------------------------------------|
| <input type="checkbox"/> Blank | <input type="checkbox"/> 30 : 3000 K | <input type="checkbox"/> 15 : 15° | <input type="checkbox"/> WH : White |
| <input type="checkbox"/> LL | <input type="checkbox"/> 35 : 3500 K | <input type="checkbox"/> 38 : 38° | <input type="checkbox"/> BK : Black |
| <input type="checkbox"/> H | | | <input type="checkbox"/> SL : Silver |
| <input type="checkbox"/> P2 | | | |
| <input type="checkbox"/> P3 | | | |

Blank : A-Line
LL : Liltline
H : H-Style
P2 : 2-circuit Powergear
P3 : 3-circuit Powergear

ATF7545 -3038: 45W, LED TRACK, 3000 K, 38° BEAM ANGLE



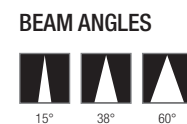
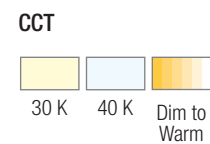
ATF7509



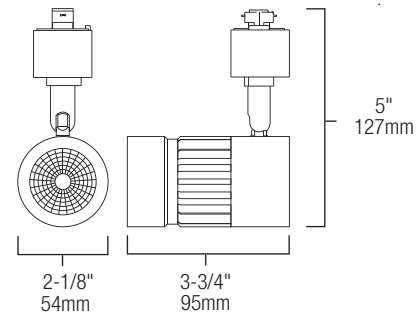
DELIVERED
Up to 680 lm



FINISH



CRI
90

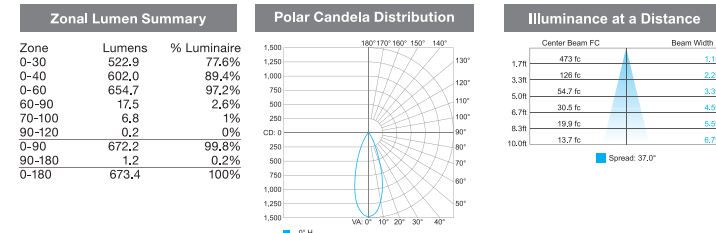


Ordering Guide

| Connector Type | Color Temp. | Beam Spread | Finish |
|--------------------------------|--|-----------------------------------|---|
| <input type="checkbox"/> Blank | <input type="checkbox"/> 30 : 3000 K | <input type="checkbox"/> 38 : 38° | <input type="checkbox"/> WH : White |
| <input type="checkbox"/> LL | <input type="checkbox"/> 40 : 4000 K | <input type="checkbox"/> 15 : 15° | <input type="checkbox"/> BK : Black |
| <input type="checkbox"/> H | <input type="checkbox"/> DTW : Dim to Warm | <input type="checkbox"/> 60 : 60° | <input type="checkbox"/> SL : Silver ¹ |
| <input type="checkbox"/> P2 | | | |
| <input type="checkbox"/> P3 | | | |

Blank : A-Line
LL : Liltline
H : H-Style
P2 : 2-circuit Powergear
P3 : 3-circuit Powergear

ATF7509-3038: 8.5W, LED TRACK, 3000 K, 38° BEAM ANGLE



Notes:
¹ Dim to Warm not available in Silver finish.

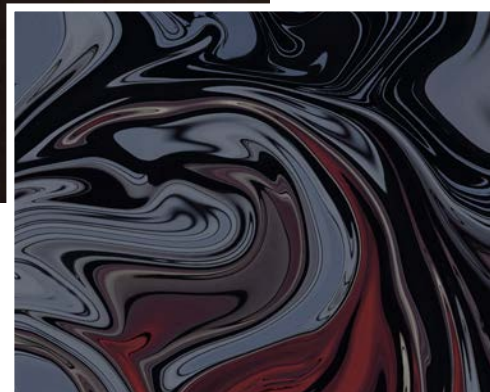


Private Residence, Canada.
Interior: Audacious Interiors Ltd.
Models Shown: ATF7509-3038-90WH



FOCUS SERIES

The Focus Series is the perfect solution for galleries and other spaces where displays are regularly updated. An integrated dial allows users to select specific beam angles and change them by simply twisting the front dial of the fixture. Focus also includes a wide range of outputs from 500 - 3000 delivered lumens.



ATF8010



DELIVERED
Up to 550 lm

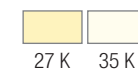
RATINGS



FINISH



CCT

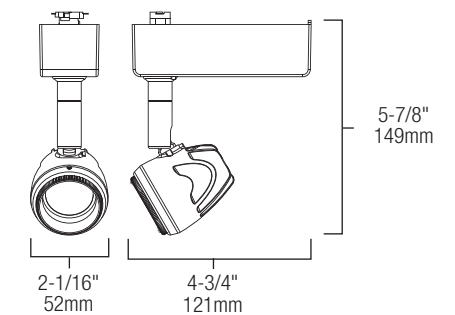


BEAM ANGLES



CRI

90

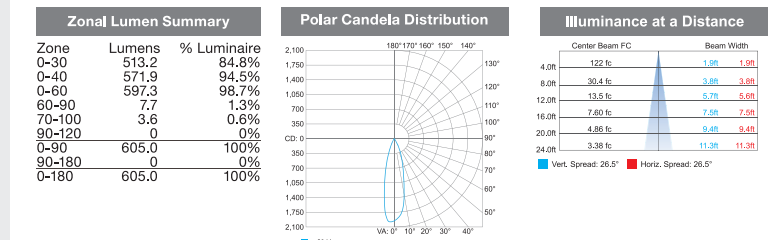


Ordering Guide

| Connector Type | Color Temp. | CRI | Finish |
|--------------------------------------|--------------------|-------------------|--------------------|
| <input type="checkbox"/> - ATF8010 - | | | |
| Blank : A-Line | 27 : 2700 K | 90 : 90CRI | WH : White |
| LL : L-Line | 35 : 3500 K | | BK : Black |
| H : H-Style | | | SL : Silver |
| L : L-Style | | | |
| P2 : 2-circuit Powergear | | | |
| P3 : 3-circuit Powergear | | | |

QUICKSHIP 7-DAY
Highlighted option denotes quick ship.

ATF8010 -27-90: LED TRACK HEAD, 10W, 2700 K, 90 CRI, 36° BEAM SPREAD



ATF8020



DELIVERED
Up to 1400 lm

RATINGS



FINISH



CCT

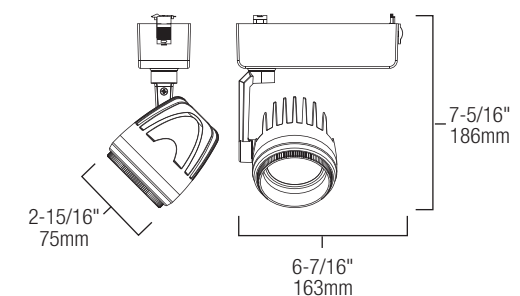


BEAM ANGLES



CRI

90

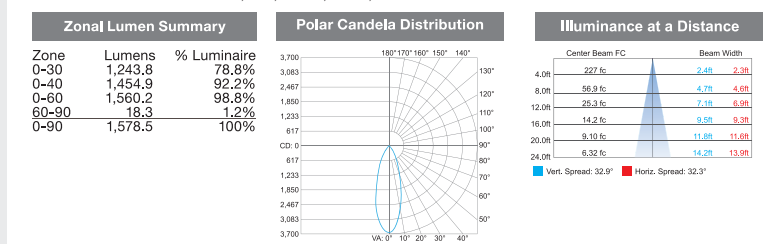


Ordering Guide

| Connector Type | Color Temp. | CRI | Finish |
|--------------------------------------|--------------------|-------------------|--------------------|
| <input type="checkbox"/> - ATF8020 - | | | |
| Blank : A-Line | 27 : 2700 K | 90 : 90CRI | WH : White |
| LL : L-Line | 35 : 3500 K | | BK : Black |
| H : H-Style | | | SL : Silver |
| L : L-Style | | | |
| P2 : 2-circuit Powergear | | | |
| P3 : 3-circuit Powergear | | | |

QUICKSHIP 7-DAY
Highlighted option denotes quick ship.

ATF8020 -27-90: LED TRACK HEAD, 20W, 2700 K, 90 CRI, 32° BEAM SPREAD



ATF8030



DELIVERED

Up to 2000 lm

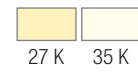
RATINGS



FINISH



CCT

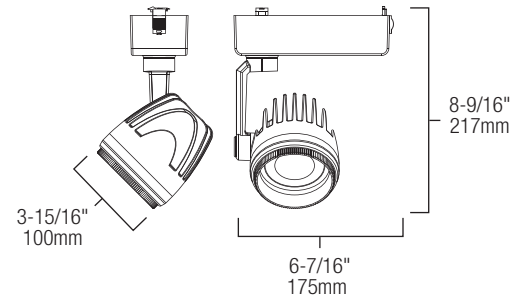


BEAM ANGLES



CRI

90



Ordering Guide

Connector Type: - **ATF8030** -

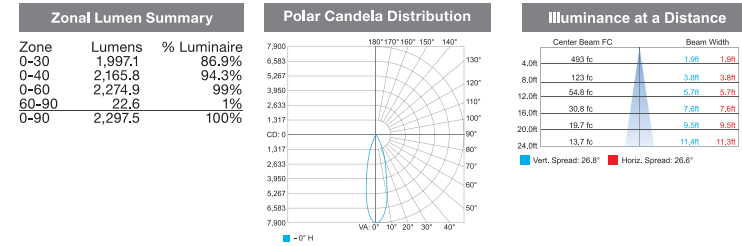
Color Temp.: 27 : 2700 K 35 : 3500 K

CRI: 90 : 90CRI

Finish: WH : White BK : Black SL : Silver

Blank : A-Line
 LL : L:line
 H : H-Style
 L : L-Style
QUICKSHIP 7-DAY
 P2 : 2-circuit Powergear
 P3 : 3-circuit Powergear
 Highlighted option denotes quick ship.

ATF8020 -27-90: LED TRACK HEAD, 30W, 2700 K, 90 CRI, 27° BEAM SPREAD



ATF8040



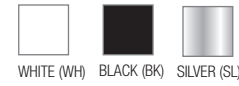
DELIVERED

Up to 3000 lm

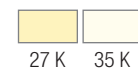
RATINGS



FINISH



CCT

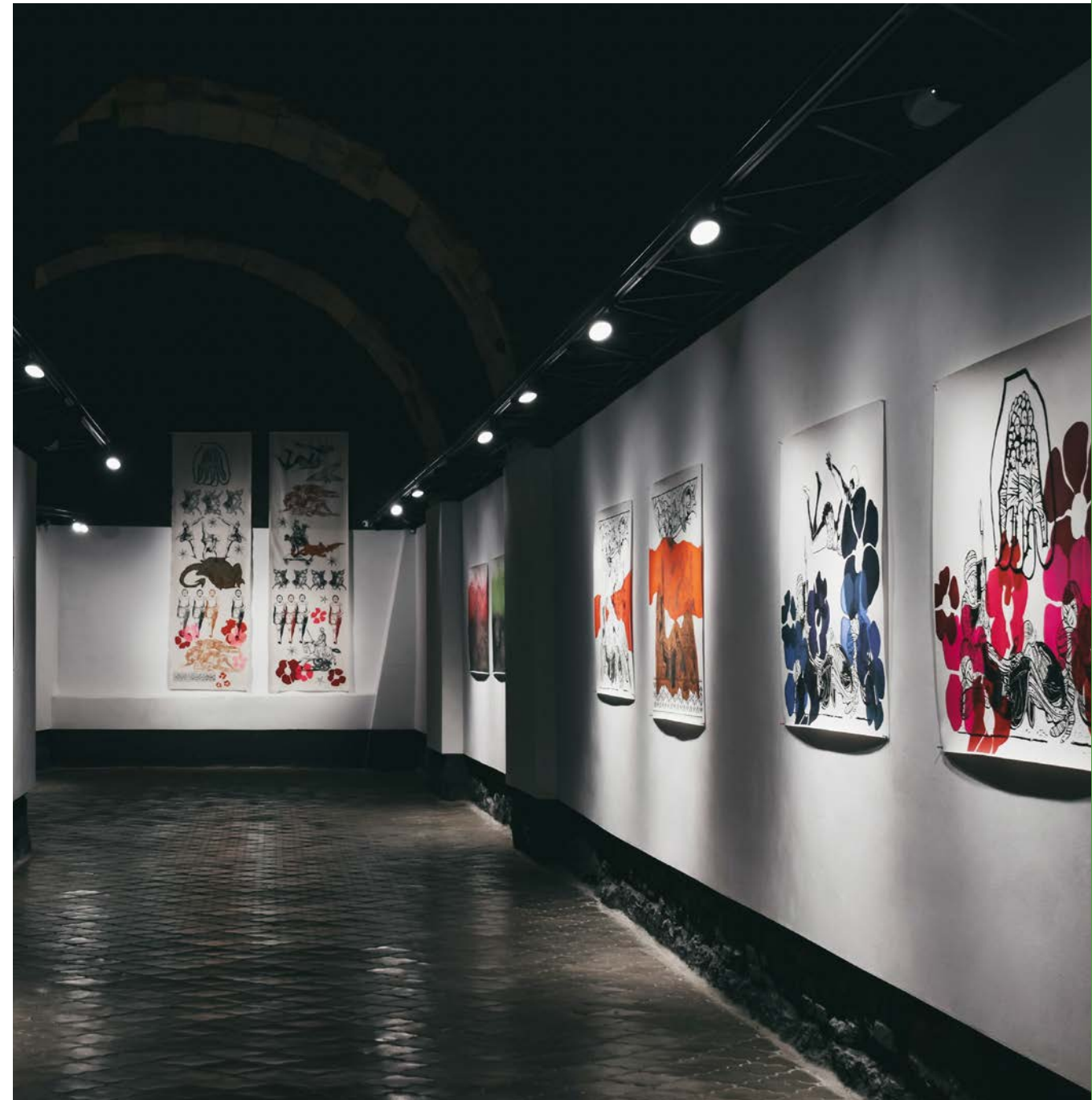
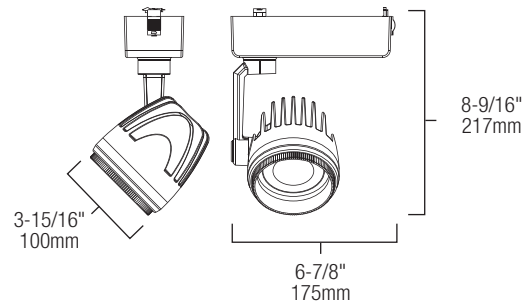


BEAM ANGLES



CRI

90



Ordering Guide

Connector Type: - **ATF8040** -

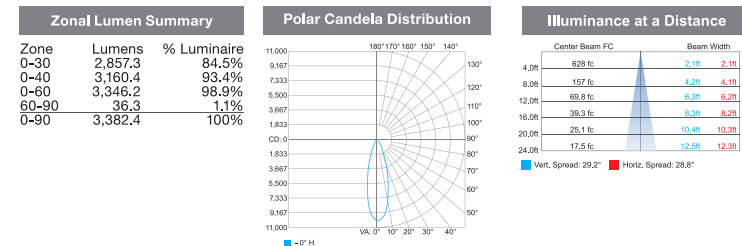
Color Temp.: 27 : 2700 K 35 : 3500 K

CRI: 90 : 90CRI

Finish: WH : White BK : Black SL : Silver

Blank : A-Line
 LL : L:line
 H : H-Style
 L : L-Style
QUICKSHIP 7-DAY
 P2 : 2-circuit Powergear
 P3 : 3-circuit Powergear
 Highlighted option denotes quick ship.

ATF8040 -27-90: LED TRACK HEAD, 40W, 2700 K, 90 CRI, 30° BEAM SPREAD



WALL WASH

Perfect for your commercial, institutional or high education applications, wall wash and flood lights provide a layered light look to your space. Powerful outputs range from 2400 - 4800 delivered lumens.



ATF7233-30

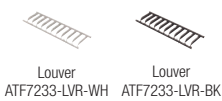


DELIVERED
Up to 2400 lm

FINISH
WHITE (WH) BLACK (BK)

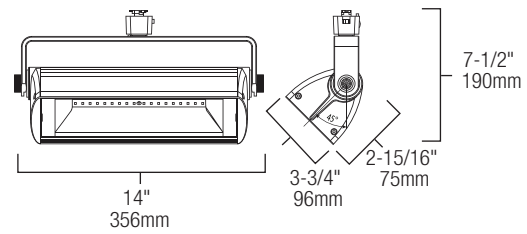
CCT
30 K

ACCESSORIES



Louver ATF7233-LVR-WH Louver ATF7233-LVR-BK

CRI
80



Ordering Guide

Connector Type **ATF7233-30** Finish

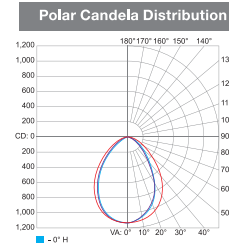
Blank: A-Line
H: H-Style
L: L-Style
P2: 2-circuit Powergear
P3: 3-circuit Powergear

WH: White
BK: Black

Highlighted option denotes quick ship.

ATF7233 -30: WALL WASH LED TRACK HEAD, 33W

| Zone | Lumens | % Luminaire |
|--------|---------|-------------|
| 0-30 | 827.6 | 39.1% |
| 0-40 | 1,269.2 | 59.4% |
| 0-60 | 1,856.3 | 87.6% |
| 60-90 | 259.4 | 12.2% |
| 70-100 | 103.8 | 4.9% |
| 90-120 | 1.2 | 0.1% |
| 0-90 | 2,115.7 | 99.9% |
| 90-180 | 3.1 | 0.1% |
| 0-180 | 2,118.8 | 100% |



| Center Beam FC | Beam Width |
|----------------|---------------|
| 2.0ft | 2.0ft 3.8ft |
| 4.0ft | 5.0ft 7.7ft |
| 6.0ft | 8.0ft 11.5ft |
| 8.0ft | 11.0ft 15.4ft |
| 10.0ft | 14.7ft 19.2ft |
| 12.0ft | 17.7ft 23.1ft |

Vert. Spread: 72.8° Horiz. Spread: 87.7°

ATF7266-30



DELIVERED
Up to 4800 lm

FINISH
WHITE (WH) BLACK (BK)

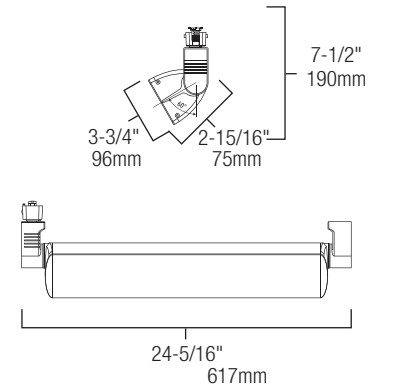
CCT
30 K

ACCESSORIES



Louver ATF7266-LVR-WH Louver ATF7266-LVR-BK

CRI
80



Ordering Guide

Connector Type **ATF7266-30** Finish

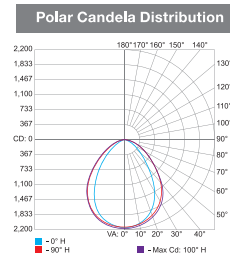
Blank: A-Line
H: H-Style
L: L-Style
P2: 2-circuit Powergear
P3: 3-circuit Powergear

BK: Black
WH: White

Highlighted option denotes quick ship.

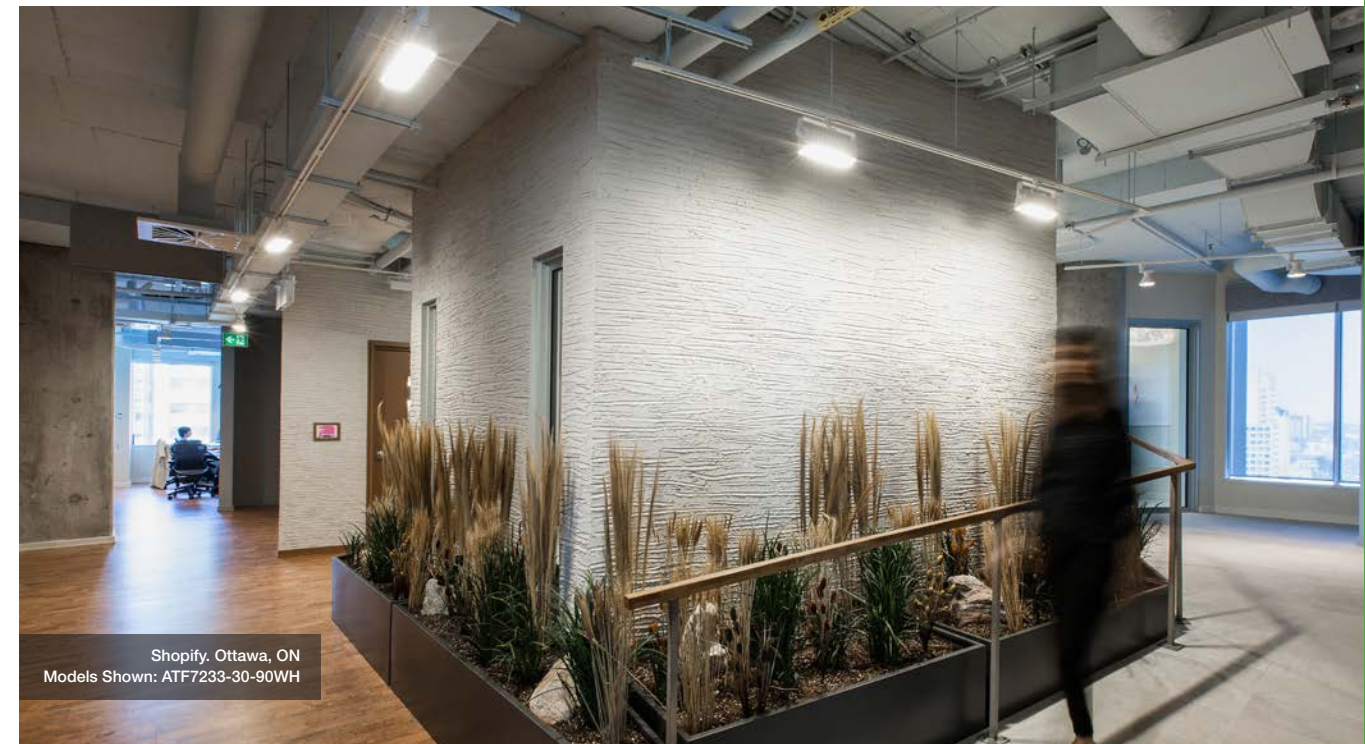
ATF7266 -30: WALL WASH LED TRACK HEAD, 66W

| Zone | Lumens | % Lamp | % Luminaire |
|--------|---------|--------|-------------|
| 0-30 | 1,599.1 | 37.9% | 38% |
| 0-40 | 2,462.1 | 58.3% | 58.4% |
| 0-60 | 3,678.0 | 87.1% | 87.3% |
| 60-90 | 530.4 | 12.6% | 12.6% |
| 70-100 | 214.8 | 5.1% | 5.1% |
| 90-120 | 1.3 | 0% | 0% |
| 0-90 | 4,208.4 | 99.7% | 99.9% |
| 90-180 | 5.0 | 0.1% | 0.1% |
| 0-180 | 4,213.4 | 99.8% | 100% |



| Center Beam FC | Beam Width |
|----------------|---------------|
| 2.0ft | 3.0ft 4.2ft |
| 4.0ft | 6.0ft 8.3ft |
| 6.0ft | 9.1ft 12.5ft |
| 8.0ft | 12.1ft 16.6ft |
| 10.0ft | 15.1ft 20.8ft |
| 12.0ft | 18.1ft 24.9ft |

Vert. Spread: 74.1° Horiz. Spread: 92.2°



Shopify, Ottawa, ON
Models Shown: ATF7233-30-90WH

TRACK HEADS & ADAPTERS

| | Product Number | Finish | CCT | Delivered Lumens | CRI | Wattage | Beam Spread | Accessories | Page Number |
|-------------------------|--------------------------------|------------------------------|-------------------------------|------------------|---------|--------------------|------------------------|--|-------------|
| A-LINE TRACK FIXTURES | ATF7134 | Black, White | 30 K | Up to 2295 lm | 80+, 90 | 34W | 19, 23, 38 | | - |
| | ATF7233-30 | Black, White | 30 K | Up to 2400 lm | 80 | 30W | | Louver | 28 |
| | ATF7266-30 | Black, White | 30 K | Up to 4800 lm | 80+ | 60W | | Louver | 29 |
| | ATF7415 | Black, White | 30 K, 35 K, 40 K, Dim-to-Warm | Up to 1400 lm | 80+, 90 | 15W | 15, 20, 38, 60 | Snoot, Honeycomb Louver | 20 |
| | ATF7425 | Black, White, Silver | 30 K, 35 K, 40 K | Up to 2375 lm | 80+ | 25W | 15, 25, 38 | Snoot, Honeycomb Louver | 21 |
| | ATF7509 | Black, White, Silver | 30 K, 40 K, Dim-to-Warm | Up to 680 lm | 80+ | 8.5W | 15, 38, 60 | | 22 |
| | ATF7545 | Black, White | 30 K, 35 K | Up to 4428 lm | 80+ | 45W | 15, 38 | | 23 |
| | Flight Series™ ATF7610 | Black, White, Silver | 30 K, Dim-to-Warm | Up to 640 lm | 90 | 10W | 6, 25, 40, 60 | | 14 |
| | ATF7630 | Black, White, Silver | 30 K, 35 K | Up to 2200 lm | 90 | 30W | 20, 29, 35 | | 19 |
| | FOCUS Series™ AFT8010/20/30/40 | Black, White, Silver | 27 K, 35 K | Up to 3000 lm | 90 | 10W/ 20W/ 30W/ 40W | 18-50° adjustable dial | | 24 |
| | TEARDROP Series™ ATF8514/22/36 | Black, White, Silver | 27 K, 30 K, 35 K, 40 K, 50 K | Up to 3180lm | 90+ | 14W/ 22W/ 36W | 15, 25, 40, 60 | Barn Door, Honeycomb Louver, Snoot, Oval Snoot | 16 |
| | Dines Series LED SP-DNG | Black, White | Dim-to-Warm, 30 K | Up to 900 lm | 90+ | 16W | 25, 35, 40 | 1", 2", & 4" Snoot | 10 |
| | Flex Series 15/22/38 | Black, White, Silver | 27 K, 30 K, 35 K, 40 K | Up to 4200 lm | 90+ | 15W/ 22W/ 38W | 15, 25, 40, 60 | Barn Door, Honeycomb Louver, Snoot, Oval Snoot, Extender, Linear Spread Lens, Softening Lens | 6 |
| LITELINE TRACK FIXTURES | APOLLO AO1008 | Black, White, Silver | 27 K, 30 K | Up to 605 lm | 90 | 8W | 38 | | 12 |
| | DELTA DA2010 | Black, White, Silver | 27 K, 30 K, 40 K | Up to 1000 lm | 80+, 90 | 10W | 38 | | 13 |
| | SORA SO1008 | Black, White, Silver | 27 K, 30 K | Up to 611 lm | 90 | 8W | 38 | | 13 |
| | VEGA VA6510 | Black, White, Brushed Nickel | 30 K | Up to 680 lm | 80+ | 10W | 25 | | - |

CUSTOMIZE CONNECTOR STYLES



A-Line

Compatible with A-Line, Juno or Contech



Liteline

Compatible with Liteline



H style

Compatible with Halo, WAC or Hampton Bay



L style

Compatible with Lightolier



C style

Compatible with Capri



P2

2-Circuit compatible with Powergear and Global Trac



P3

3-Circuit compatible with Powergear and Global Trac

For other track compatibility, please contact your local rep.

TRACK



LITELINE

Light Residential

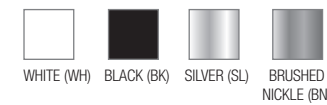
Single Circuit 120V

TRACK LENGTHS

Field Cuttable

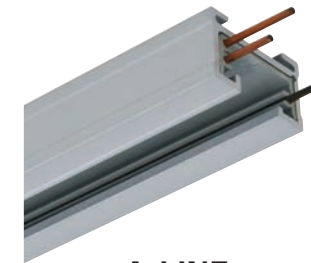


FINISH



Ordering Guide

| Length | Finish |
|-----------|---------------------|
| TK60 | |
| 02 : 2' | WH : White |
| 04 : 4' | BK : Black |
| 06 : 6' | SL : Silver |
| 08 : 8' | BN : Brushed Nickel |
| 12 : 12'' | |



A-LINE

Residential / Commercial

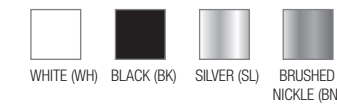
Single / 2 Circuit 120V

TRACK LENGTHS

Field Cuttable



FINISH



Ordering Guide

| Length | Circuits | Finish |
|-----------|-------------------|----------------------------------|
| ATK | | |
| 02 : 2' | Blank : 1 Circuit | WH : White |
| 04 : 4' | 2C : 2 Circuit | BK : Black |
| 06 : 6' | | SL : Silver ² |
| 08 : 8' | | BN : Brushed Nickel ³ |
| 12 : 12'' | | |

Notes:

¹ 2 Circuit track not available in 12'. ² Silver finish only available with 2 Circuit track. ³ Brushed Nickel finish only available with 1 Circuit track.



POWERGEAR

Commercial

2 Circuit / 2 Neutral
3 Circuit / 1 Neutral

TRACK LENGTHS

Field Cuttable



FINISH



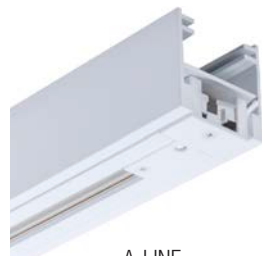
Ordering Guide

| Length | Finish |
|----------|------------|
| PRO-04- | |
| 04 : 4' | WH : White |
| 06 : 6' | BK : Black |
| 08 : 8' | |
| 12 : 12' | |

POWERGEARTRACK.COM
INFO@POWERGEARTRACK.COM

ADD RIGIDITY

Provide strength to track with A-Beam and H-Channel. Ideal for commercial applications including retail and hospitality, these rigid lighting channels require fewer suspension points allowing for a cleaner ceiling space.



A-LINE
A-BEAM

COMMERCIAL

Single / 2 Circuit 120V

FEATURES

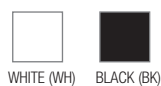
- Ability to add up-lighting for design flexibility

TRACK LENGTHS

Not Field Cuttable

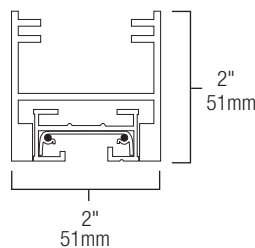


FINISH



Ordering Guide

| A-BEAM122 | Length | Finish |
|---|--------------|------------|
| <small>Highlighted option denotes quick ship.</small> | 2 : 2-feet | WH : White |
| | 4 : 4-feet | BK : Black |
| | 6 : 6-feet | |
| | 8 : 8-feet | |
| | 12 : 12-feet | |



POWERGEAR
H-CHANNEL

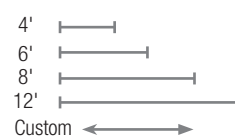
COMMERCIAL

FEATURES

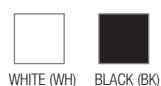
- 12 ft spacing between suspension points
- Integrate track into store fixtures in retail environment

TRACK LENGTHS

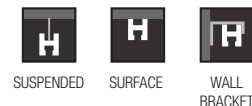
Field Cuttable



FINISH

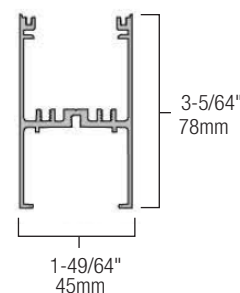


MOUNTING



Ordering Guide

| PRO-H00 | Length | Finish |
|---|----------|------------|
| <small>Highlighted option denotes quick ship.</small> | 04 : 4' | WH : White |
| | 06 : 6' | BK : Black |
| | 08 : 8' | |
| | 12 : 12' | |



PRECISIONPRO TRIMLESS MADE EASY

A-Line and Powergear track can be trimless with the use of PrecisionPro pre-formed recessed drywall channel. PrecisionPro installs like any other drywall and then the track simply surface mounts into the channel and corner pieces, avoiding the headaches of traditional recessed track systems. PrecisionPro comes standard with a wood backing, or upgrade to a steel backing for added support. Upon order 2 pieces are packed together to ensure the drywall ships safely to the job site.

- ✓ Reduce intensive labor & costs
- ✓ Sleek finish with minimal effort
- ✓ Level 5 finish

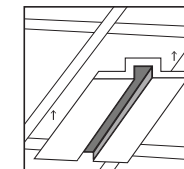
LENGTHS



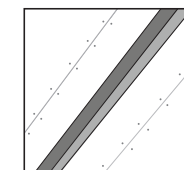
THICKNESS



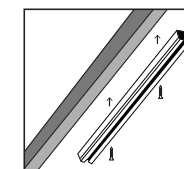
Double 5/8"
Fire Rated



1. Install Recessed Track Kit into building's frame



2. Tape and mud edges to complete



3. Install track as surface mount



A-Line's PrecisionPro drywall program is the only solution to have trimless, **fire-rated** track!

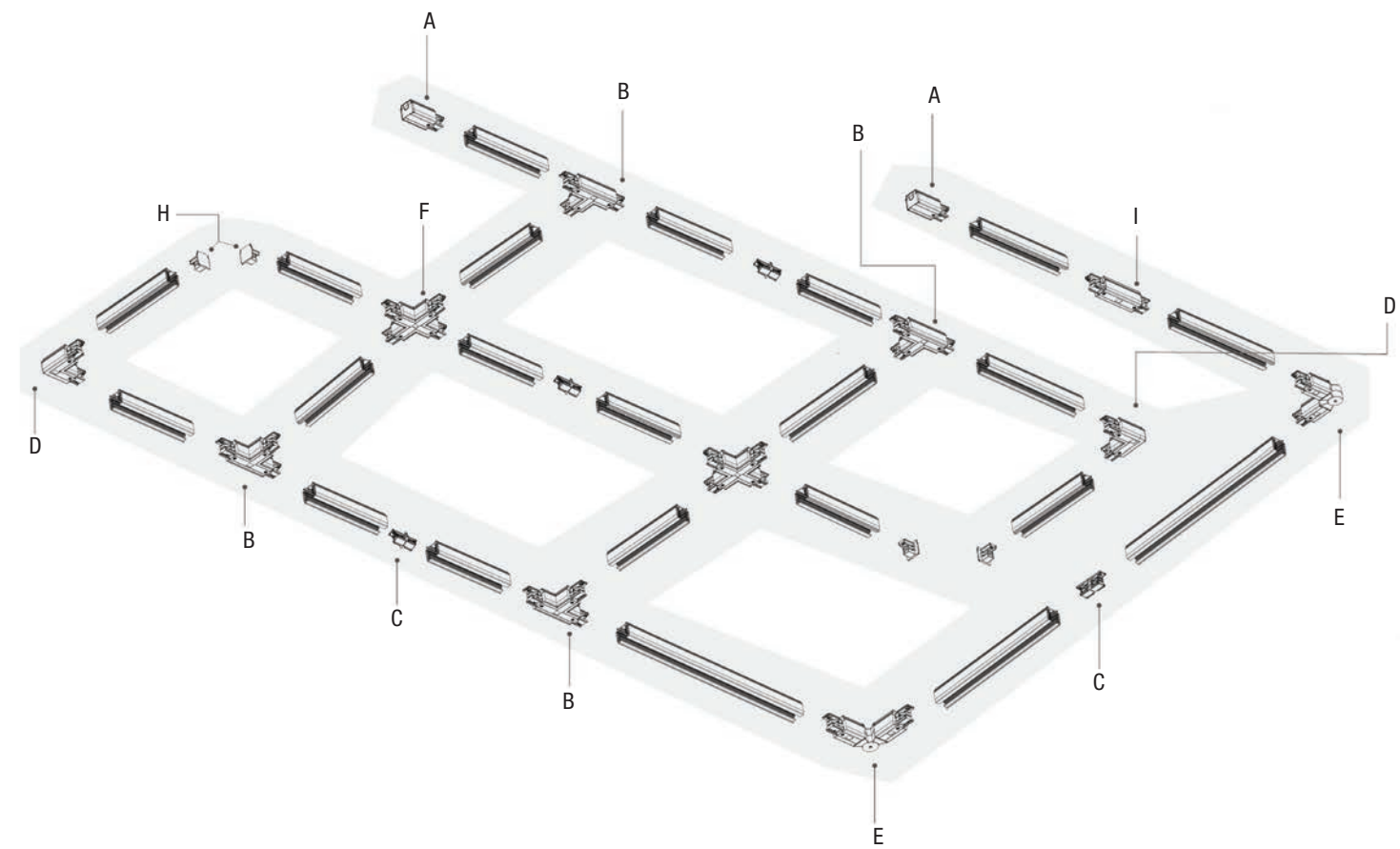
TRACK SYSTEMS

GUIDE

- A-line 1-Circuit ● Powergear 2-Circuit / 2 Neutral
- A-line 2-Circuit ● Powergear 3-Circuit / 1 Neutral

| | Description | Liteline | A-Line | Powergear |
|---|--------------------------------|------------|----------------------------------|--|
| A | Live-end Connector | LE6110 | ATKP09 ATKP09-2C | PRO-2431(L/R)* PRO-0431(L/R)* |
| | Live End Conduit Feed | CA6106 | ATKP06 ATKP06-2C | |
| B | "T" Connector | TC6103 | ATKP03 ATKC03-2C | PRO-2436(L/R)(1/2)* PRO-0436(L/R)(1/2)* |
| C | Middle Connector | IC6101 | ATKC01 ATKC01-2C | PRO-2433 PRO-0433 PRO-0433(A)* PRO-0433(A)* |
| D | "L" Connector | LC6102 | ATKP02 ATKC02-2C | PRO-2435(L/R)* PRO-0435(L/R)* PRO-M435 PRO-M435 |
| E | Flexible "L" Connector | FC6105 | ATKC05 | PRO-2439 PRO-0439 |
| F | "X" Connector | XC6104 | ATKP04-2C | PRO-2437 PRO-0437 |
| H | End Cap | TK6000-END | ATK0-ENDCAP-1C ATK0-ENDCAP-2C | PRO-2432 PRO-0432 |
| I | Center Feed | FC6108 | ATKP08 ATKP02 ATKC02-2C | PRO-2434 PRO-0434 |
| | Wired End | WE6110 | ATKP10 | |
| | Live End With Canopy | LE611 | ATKP11 ATKP11-2C | |
| | Live End With Canopy For T-Bar | | ATKP12-2C | |
| | Monopoint | | ATKP109 | |
| | Hollow Stem Suspension Rod | LL-ATKXW | ATKXW | |
| | Stem Rod Kit With Hollow Rod | TDR62 | A-TDR62 | |
| | Track Hook / Track Receptacle | | ATKA320/ ATKA321 | |

TRACK SYSTEM DIAGRAM



A-LINE CURRENT LIMITERS

- 
ATKPCL-06-1C
 Single circuit live end narrow current limiter
- 
ATKPCL-09-1C
ATKPCL-09-2C
 Single/two circuit dual live end canopy with current limiter
- 
ATKPCL-11-1C
ATKPCL-11-2C
 Single/two circuit live end canopy current limiter
- 
ATKP11T-2C
 Two circuit live end power feed with canopy cover for t-bar



Bar Burrito, Pickering, ON
Model Shown: DA2010-3038-80BK

