

**IMPORTANT:** Read all instructions before installing fixtures. Retain for future reference. Suitable for continuous row mounting.

**SAFETY:** For your safety, this fixture must be wired in accordance to local electrical codes and ordinances. All work should be done by a qualified electrician.

**WARNING:** Make certain power is OFF from the electrical panel before starting installation or attempting any maintenance. Indoor installation only.

**INSTALLATION INSTRUCTIONS FOR LAY-IN:**

1. Make sure that the power from the main panel is switched off before starting any installation or maintenance of electrical fixtures.
2. Hold the LED panel 45° in relation to the T-bar direction.
3. Push panel through the T-bar opening (Fig. 1).
4. Adjust the LED panel so that the light surface is sitting flush in the T-bars.
5. Bend the support clips 90° upwards, then bend 90° outwards until the tips of the support clips are positioned above the T-bars (Fig. 2).
6. Use support cables (supplied by others) to secure the fixture to the structure (use the hole at the top of the support clips) (Fig. 3).

**INSTALLATION INSTRUCTIONS FOR RECESSED:**

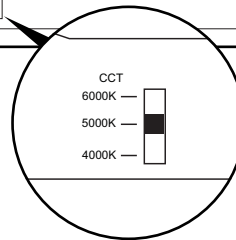
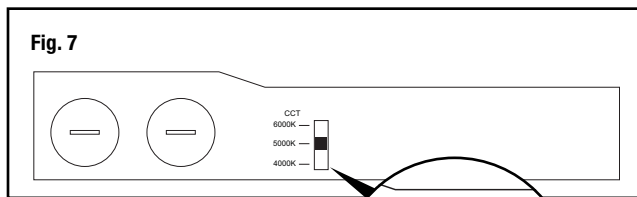
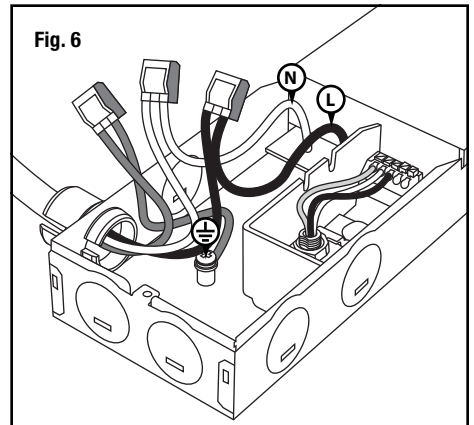
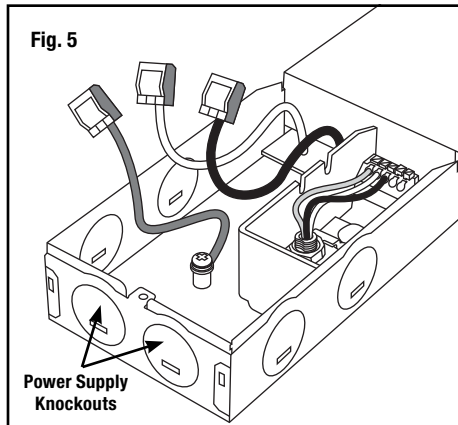
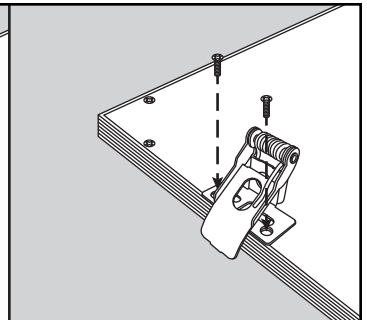
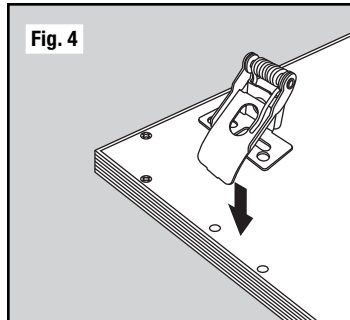
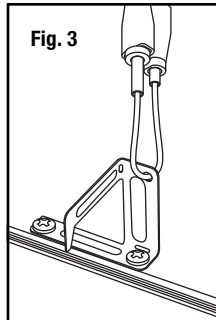
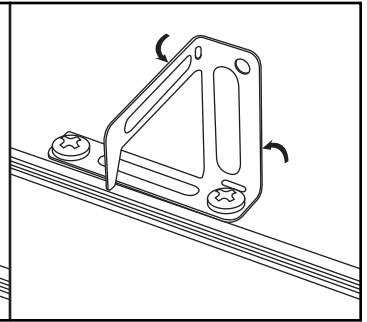
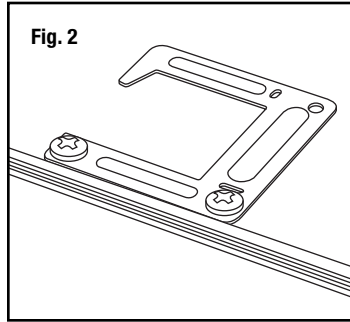
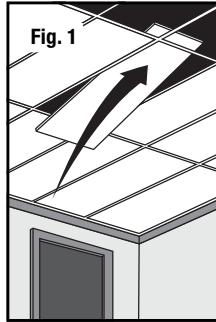
1. Make sure that the power from the main panel is switched off before starting any installation or maintenance of electrical fixtures.
2. Use cutout template (Refer to Hole cutout drawings on page 2) to cut holes in drywall for clips and driver.
3. Attach two LEDP-CLIPS to LEDPH-11 panel, or four to LEDPH-12 panel (Fig. 4).
4. Follow steps from "Electrical Connections".
5. Push spring loaded clips on the fixture upwards and insert into the mounting holes. Release the clips and fixture will be pulled flush to the ceiling.

**ELECTRICAL CONNECTIONS:**

**MAXIMUM OF FOUR 12 AWG THROUGH BRANCH CIRCUIT CONDUCTOR SUITABLE FOR 90°C PERMITTED IN BOX (2 WIRES IN AND 2 WIRES OUT).**

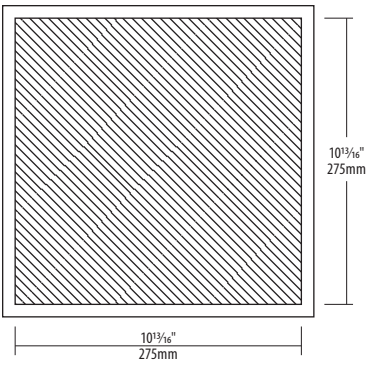
**MAXIMUM OF SIX 14 AWG THROUGH BRANCH CIRCUIT CONDUCTOR SUITABLE FOR 90°C PERMITTED IN BOX (3 WIRES IN AND 3 WIRES OUT).**

1. Remove the cover on the junction box.
2. Bring in a power supply line through one of the knockouts located closest to the input module (Fig. 5). Wire connector required (supplied by others).
3. Connect the green (or bare copper) wire to the ground screw (located in the middle of the junction box (Fig. 6).
4. Connect the white wire to the Neutral (N) port of the input module (Fig. 6).
5. Connect the black wire to the Live (L) port of the input module (Fig. 6).
6. Replace the junction box cover back in place.
7. Use the selector tab on the side of the driver/junction box to select color temperature [preset at 5000 K] (Fig. 7).
8. Turn the power back on from the main panel.



**HOLE CUTOUT DRAWINGS:**

**LEDPH-11**



**LEDPH-12**

