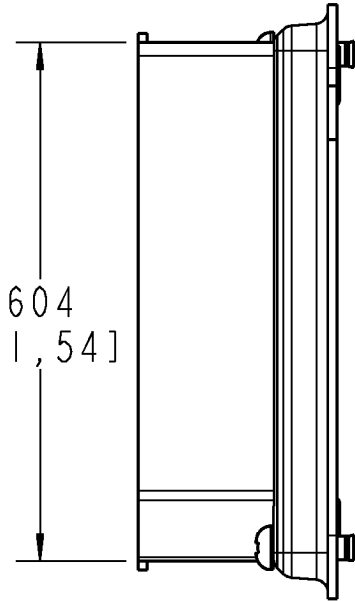
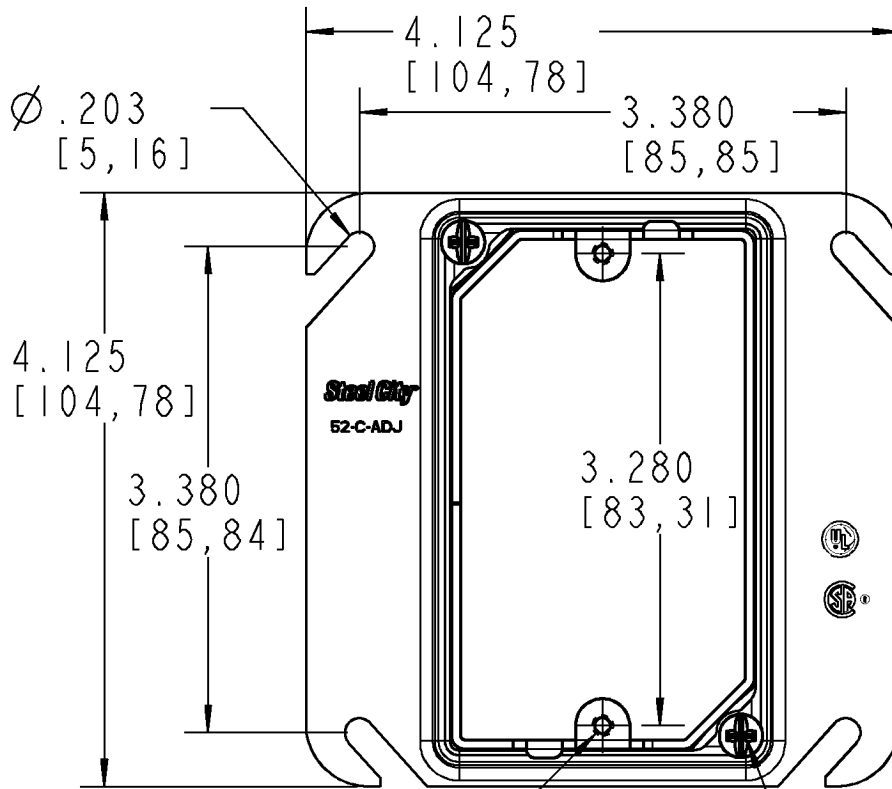
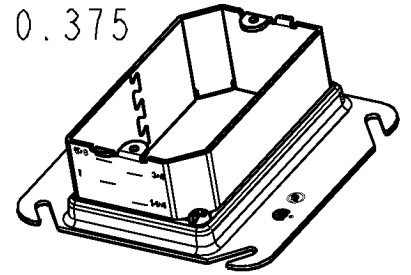




Steel City

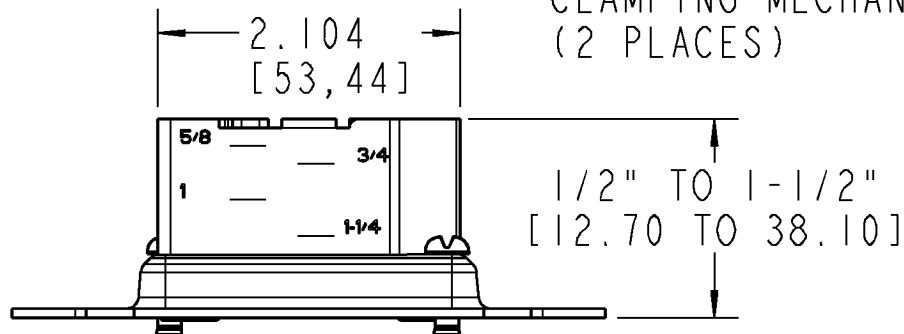


SCALE 0.375



#6-32 (2 PLACES)

CLAMPING MECHANISM (2 PLACES)



CAT.NO.: 52-C-ADJ

MATERIAL: .063 PRE-GALVANIZED STEEL OR STEEL ELECTRO GALV.ZINC

GENERAL NOTES

1. ALL DIMENSIONS ARE FOR REFERENCE ONLY.
2. DIMENSIONS IN BRACKETS [] ARE IN METRIC UNITS.

REVISIONS

*** SEE ERN (****) FOR APPROVAL SIGNATURES & RELEASE DATE. PROJECT NO: ****

Thomas & Betts

www.tnb.com

DESCRIPTION: **SINGLE GANG ADJUSTABLE MUD RING**
1/2" TO 1-1/2"

ORIGINAL PROJECT NO / (ERN NO)

ND55869 / (2010773)

SHEET NO:

1 OF 1

REV. NO:

0

DRAWING NO:

WSD-000297