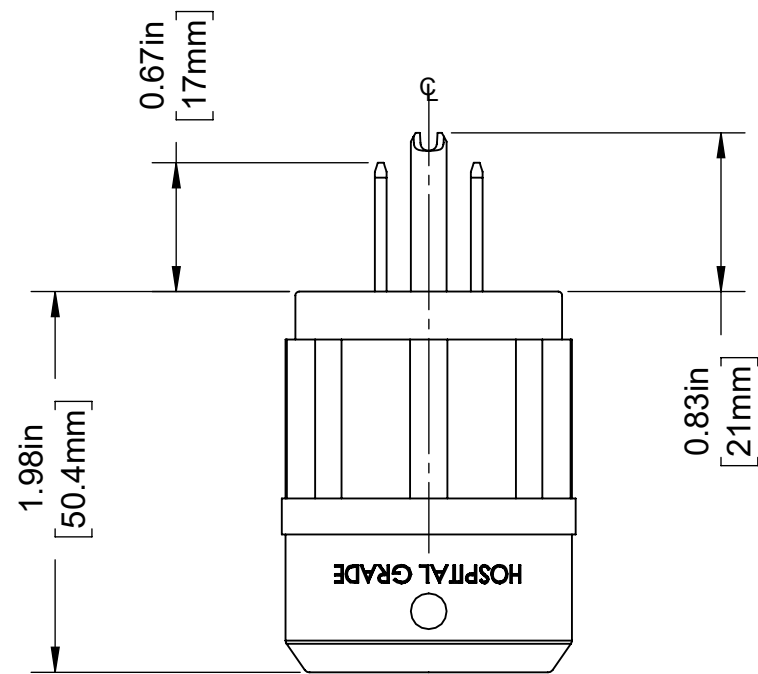
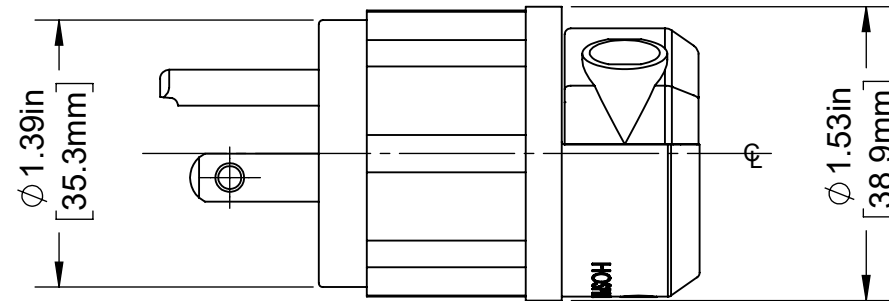
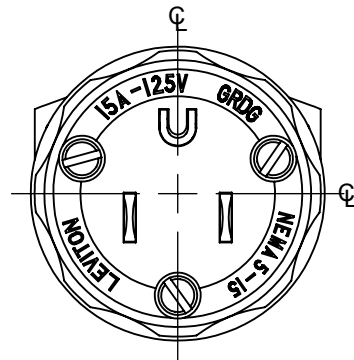


4

3

2

1



CATALOG # 8215-C

15A, 125 VOLT, GROUNDING,
 NEMA 5-15P, 2 POLE, 3 WIRE,
 STRAIGHT BLADE PLUG,
 HOSPITAL GRADE WITH GREEN DOT

UNLESS OTHERWISE SPECIFIED:
 DO NOT SCALE DRAWING.
 ALL DIMENSIONS ARE IN INCHES.
 ALL ANGLES ARE IN DEGREES.

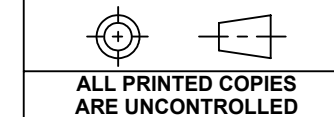


TOLERANCES	
INCH	METRIC
.XX ± .01	.X ± .2 mm
.XXX ± .005	.XX ± .1 mm

TITLE:
**8215-C 15A PLUG NEMA 5-15
 HOSPITAL GRADE - CATALOG**

ANGLES: ± 1/2°
 THIRD ANGLE PROJECTION

DWG NO.
CATSTD-08215-00C-D01



SIZE B	SCALE: 1:1	SHEET 1 OF 1	REV 1
------------------	------------	--------------	-----------------

ALL PRINTED COPIES
 ARE UNCONTROLLED

Copyright 2019. Unpublished. All Rights Reserved.

4

3

2

1