

QuickPort® Field-Configurable Patch Block

APPLICATION

The Leviton QuickPort Field-Configurable Patch Block is ideal for wall-mount applications requiring a compact cross-connect block with a small number of field-configurable ports. The QuickPort Patch Block holds up to twelve connectors, and is useful where low-cost, add-as-you-go flexibility is desired.



SPECIFICATION

The patch block shall provide 12 ports that can be configured and/or changed individually, and accept QuickPort connectors. The patch block material shall be 14-gauge steel with a black powder coat. All plastic parts shall be high-impact fire-retardant plastic rated UL94V-0. The patch block shall include white label positioning blocks and be wall mountable on an industry-standard 89-D bracket. Colors and configurations to be specified per schedule on plan.

FEATURES

- Compact block is ideal for wall-mount applications
- Innovative design supports add-as-you-go flexibility

DESIGN CONSIDERATIONS

- Verify cable pathway in closet
- Recommend that blocks be arranged to allow for future growth
- Port ID can be achieved by using machine-printed, adhesive labels or using different connector colors to color-code the ports
- 89-D mounting bracket (40089-00D) and QuickPort snap-in connectors are sold separately
- Four blanks are included (color: black)

STANDARDS & REGULATIONS

- ANSI/TIA-568-D
- cULus Listed

MECHANICAL SPECIFICATIONS

Dimensions: See page two
Capacity: 12 ports
Materials: Panels are 14-gauge steel, painted black
Plastic connector housings are black fire-retardant plastic rated UL 94V-0, with white label positioning blocks.

COUNTRY OF ORIGIN

49255-Q89, 47689-0QP	USA
40089-00D	Mexico

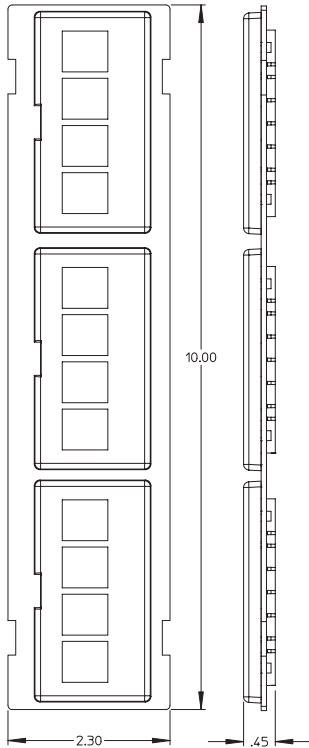
WARRANTY INFORMATION

For Leviton product warranties, go to leviton.com/warranty

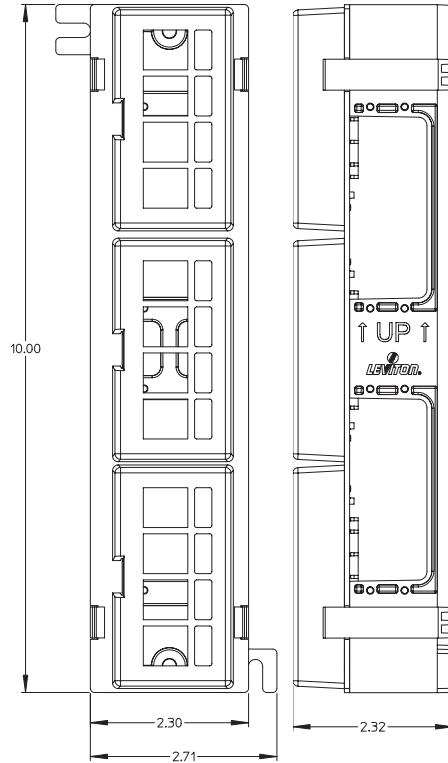
PRODUCT SPECIFICATIONS
49255-Q89, 40089-00D, 47689-0QP



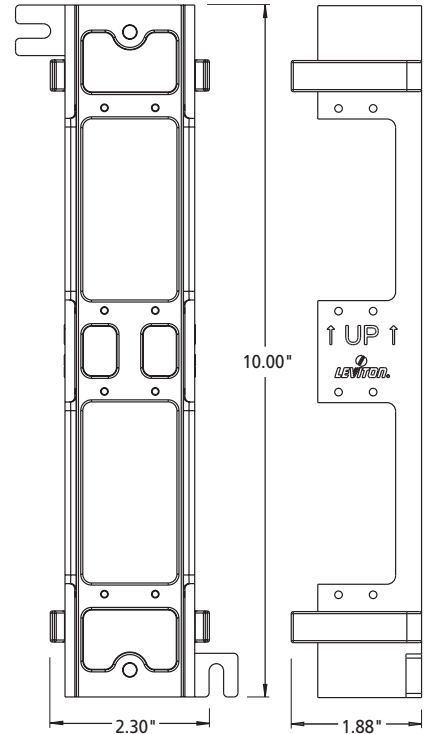
49255-Q89, 40089-00D, 47689-0QP



49255-Q89



47689-0QP



40089-00D (Available separately)

PART NUMBERS

Description	Part No.
QuickPort® Field-Configurable Patch Block, 12 ports	49255-Q89
QuickPort Patch Block 89D Mounting Bracket (mounting bracket sold separately)	40089-00D
QuickPort Field-Configurable Patch Block, 12-Ports, Extra Deep, Mounting Bracket Included	47689-0QP

For further support information, visit leviton.com/ns/support



NETWORK SOLUTIONS GLOBAL HEADQUARTERS
 Bothell, WA, USA | leviton.com/ns
 (800) 824 3005 / +1 (425) 486 2222 | appeng@leviton.com

NETWORK SOLUTIONS EUROPEAN HEADQUARTERS
 Glenrothes, UK | leviton.com/ns/emea
 +44 (0) 1592 772124 | customerserviceeu@leviton.com

Leviton is dedicated to designing, developing and manufacturing sustainable high-performance structured cabling and speciality cabling solutions. Network Solutions products are available worldwide in over 100 countries. Visit us online to learn more.