

LED FIXTURE

RIGID Series



LED Surface Discus RGD-HS

Slim design, Multi-Kelvin (CCT)



5-year limited warranty

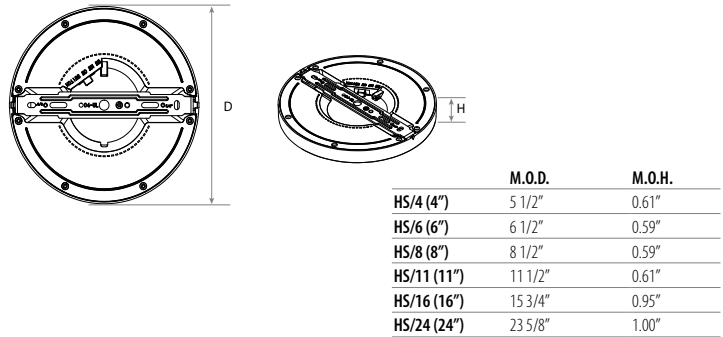
Operating temperature range -20 °C ~ +40 °C



Features & Benefits

- cETLus listed, Energy Star
- Mounts directly to J-box or retrofit 4", 5", 6" downlight
- TRIAC dimmable down to 10%
- Beam angle 120°
- Finish color white (interchangeable trim ring for matte black or satin nickel finish)
- L70 @ 50,000 Hrs, CRI ≥80
- Damp location rated

Dimensional Drawing



Ordering Information Example: RGD-HS/4/6W/MULTI-K/WH/D

Family Name	Fixture Type	Size	Wattage	CCT	Finish	Dimmable	Options
RGD (Rigid)	HS (Surface discus)	4 (4"), 6 (6"), 8 (8"), 11 (11"), 16 (16"), 24 (24")	6W, 12W, 18W, 24W, 30W, 48W	MULTI-K (Multi-Kelvin) 30K (3000K)	WH (White)	D (Dimmable)	Matte black trim ring Satin nickel trim ring (Sold separately)

Product Specification

Ordering Code	Energy Star	Model Number	Wattage (W)	Input Voltage (V)	Hour Rating	Initial Lumens (lumen)	CCT (K)	CRI	Beam Angle	Damp Location	Dimmable	Dimension D×H (inch)	Case QTY.
3662144	Yes	RGD-HS/4/6W/MULTI-K/WH/D	6	120	50,000	420	30/40/50	≥80	120°	Yes	Y	5 1/2" × 0.61"	60
3662161	-	RGD-HS/4/6W/30K/WH/D	6	120	50,000	420	3000	≥80	120°	Yes	Y	5 1/2" × 0.61"	60
3662145	Yes	RGD-HS/6/12W/MULTI-K/WH/D	12	120	50,000	840	30/40/50	≥80	120°	Yes	Y	6 1/2" × 0.59"	40
3662162	-	RGD-HS/6/12W/30K/WH/D	12	120	50,000	840	3000	≥80	120°	Yes	Y	6 1/2" × 0.59"	40
3663130	-	RGD-HS/8/18W/30K/WH/D	18	120	50,000	1260	3000	≥80	120°	Yes	Y	8 1/2" × 0.59"	20
3663127	Yes	RGD-HS/8/18W/MULTI-K/WH/D	18	120	50,000	1260	30/40/50	≥80	120°	Yes	Y	8 1/2" × 0.59"	20
3664134	Yes	RGD-HS/11/24W/MULTI-K/WH/D	24	120	50,000	1920	30/40/50	≥80	120°	Yes	Y	11 1/2" × 0.61"	10
3664151	Yes	RGD-HS/11/24W/30K/WH/D	24	120	50,000	1920	3000	≥80	120°	Yes	Y	11 1/2" × 0.61"	10
3664159	-	RGD-HS/16/30W/30K/WH/D*	30	120	50,000	2400	3000	≥80	120°	Yes	Y	15 3/4" × 0.95"	10
3665174	-	RGD-HS/24/48W/30K/WH/D*	48	120	50,000	3800	3000	≥80	120°	Yes	Y	23 5/8" × 1.00"	5

Fixture types 4", 6", 8" & 11" come with embedded magnets to allow for optional trim selection mounting.
* Types 16" & 24" optional trim selection not available.

LED Surface Discus RGD-HS

Ordering Code	Energy Star	Model Number	Wattage (W)	Input Voltage (V)	Hour Rating	Initial Lumens (lumen)	CCT (K)	CRI	Beam Angle	Damp Location	Dimmable	Dimension D×H (inch)	Case QTY.
3660112	-	RGD-HS/4/SN											
3660113	-	RGD-HS/4/MB											
3660114	-	RGD-HS/6/SN											
3660115	-	RGD-HS/6/MB											
3660116	-	RGD-HS/8/SN											
3660117	-	RGD-HS/8/MB											
3660118	-	RGD-HS/11/SN											
3660119	-	RGD-HS/11/MB											
3660120	-	RGD-HS/4/TC/KIT											
3660121	-	RGD-HS/5/6/TC/KIT											

