

MECHANICAL / ELECTRICAL HANGING SOLUTIONS

VENTILATION - Z-HANGERS FIXED ON STRUCTURAL STEEL USING BEAM CLAMPS

Eyebolt Combo



① Threaded beam clamp 2.0 mm wire

Description	Item No.
Beam clamp BC-EG 1/4"	258002
Threaded rod 1/4" X 6' zincd	257963
Threaded rod connector 1/4" zincd	411746
Hexagon nut 1/4" zincd	411751
MW-EB 1/4 CL 2.0 6ft/2m	2331643
MW-EB 1/4 CL 2.0 10ft/3m	2331644
MW-EB 1/4 CL 2.0 20ft/6m	2331645

② Z-Hanger and Connection

MVA-Z Z-hanger suitable for 2mm	386532
Hexagon nut 3/8" zincd	411752
Washer zinc 3/8"	411757

Self-tapping Screws

Zip Screw 10-12 x 3/4" HHWH HVAC 1k	423252
-------------------------------------	--------

Threaded beam clamp 3.0 mm wire

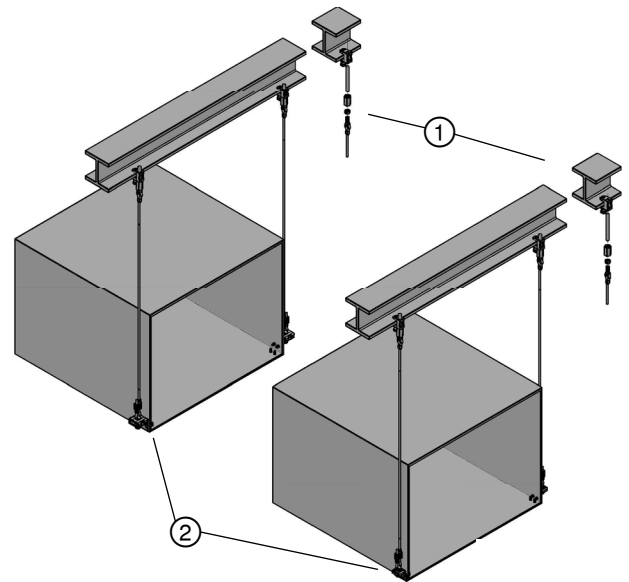
Description	Item No.
Beam clamp BC 3/8"	257366
Threaded rod 3/8" x 6'	257969
Threaded rod connector 3/8" zincd	411747
Hexagon nut 3/8" zincd	411752
MW-EB 3/8 CL 3.0 6ft/2m	2331649
MW-EB 3/8 CL 3.0 10ft/3m	2331650
MW-EB 3/8 CL 3.0 20ft/6m	2331651

Z-Hanger and Connection

MVA-ZP Z-Hanger suitable for 2mm and 3mm wire	411499
Hexagon nut 3/8" zincd	411752
Washer zinc 3/8"	411757

Self-tapping Screws

Zip Screw 10-12 x 3/4" HHWH HVAC 1k	423252
-------------------------------------	--------



Application	Description	Base material
	Wire system - Ventilation - Z-hangers on structural steel	Steel
Comments	<ul style="list-style-type: none"> Loading must always be compared with the capacity of the beam clamp and structural steel and all connecting parts Only for vertically suspended loads. Not suitable for bracing 	Product lines
		Wire system Beam clamps Z-hangers

The published data is a typical application the suitability for a specific project, design, or jobsite must be assessed by the Engineer of Record for the project. All product's must be used according to the manufacturer's instructions for use and within the application limits as published.