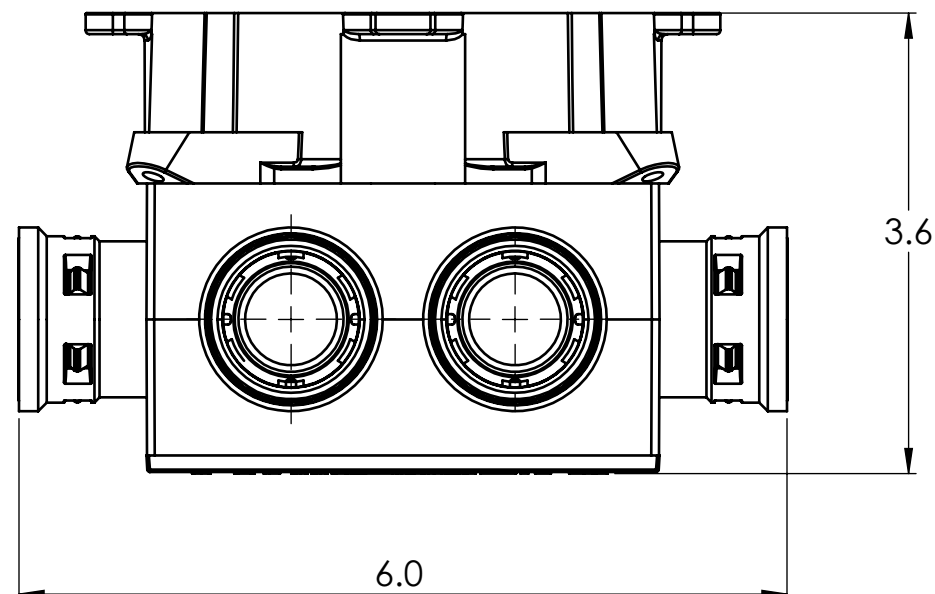
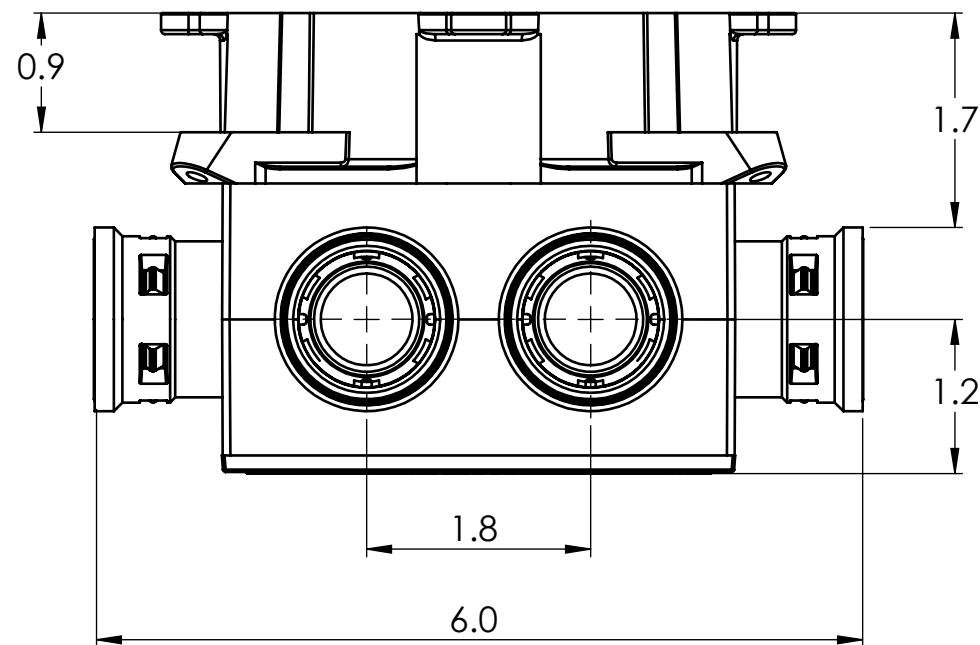
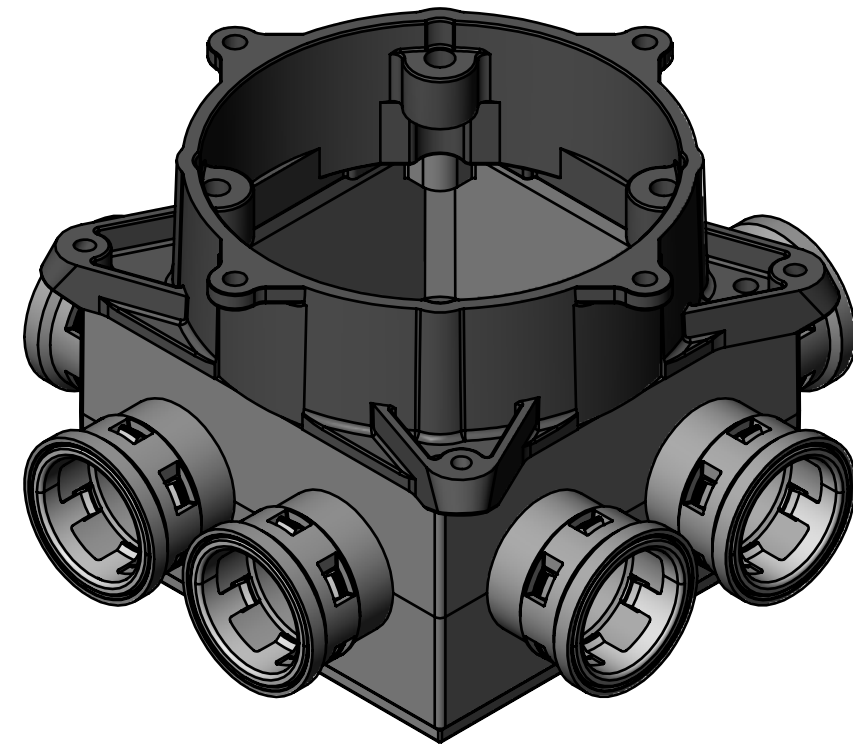


8 x 3/4" Retainer Hub



PLASTIC/RUBBER SIZES

SIZES SHOWN ARE FOR REFERENCE 3D MODEL IS TO BE USED FOR MANUFACTURING / VERIFICATION				ALL CHANGES MUST BE APPROVED AND RECORDED BY ENGINEERING			
UNIT: INCHES UNLESS DUAL DIMENSION: INCH [METRIC]		PROJECTION 		<b>IPEX Technologies Inc.</b>			
THIS DRAWING AND ALL TECHNICAL INFORMATION APPEARING HEREON ARE PROPERTY OF IPEX TECHNOLOGIES INC. AND MUST BE KEPT IN CONFIDENCE BY THE RECIPIENT. THE SAME MAY NOT BE USED OR REPRODUCED EITHER IN WHOLE OR IN PART WITHOUT THE EXPRESS CONSENT OF IPEX TECHNOLOGIES INC.				TITLE SMBH15 PVC SLAB BOX CDN KWIKON			
PAPER SIZE ANSI B	NAME	DATE	SCALE: NA	MATTL			
PART APPEARANCE:	COLOR:	DRAWN	27/08/2020	PRODUCT CODE: 089459			
SURFACE FINISHES: (UNLESS OTHERWISE NOTED)				APP'D		PROJECT No.	
INSIDE:	DIMENSIONS ARE IN INCHES TOLERANCES (UNLESS OTHERWISE SPECIFIED)		FRACTIONAL ± 1/32		CRITICAL DIMENSIONS ARE SHOWN AS **XXX**		
OUTSIDE:	X.XX ± 0.015		X.XXX ± 0.010		REFERENCE DIMENSIONS ARE SHOWN WITH REF. NOTE		
OTHER:	X.XXXX ± 0.005		ANGULAR ± 1.0				
FILENAME:	FOLDER:						