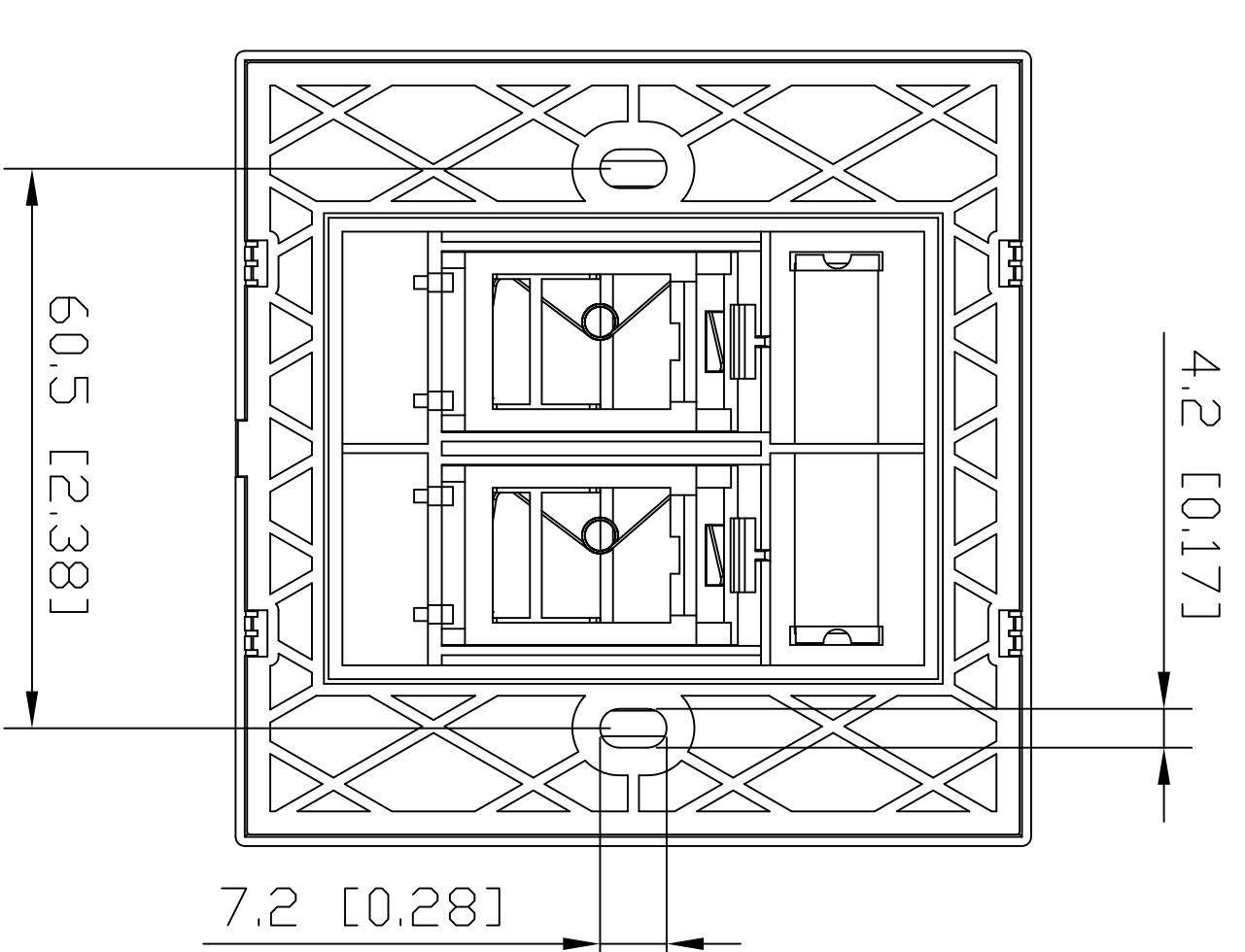
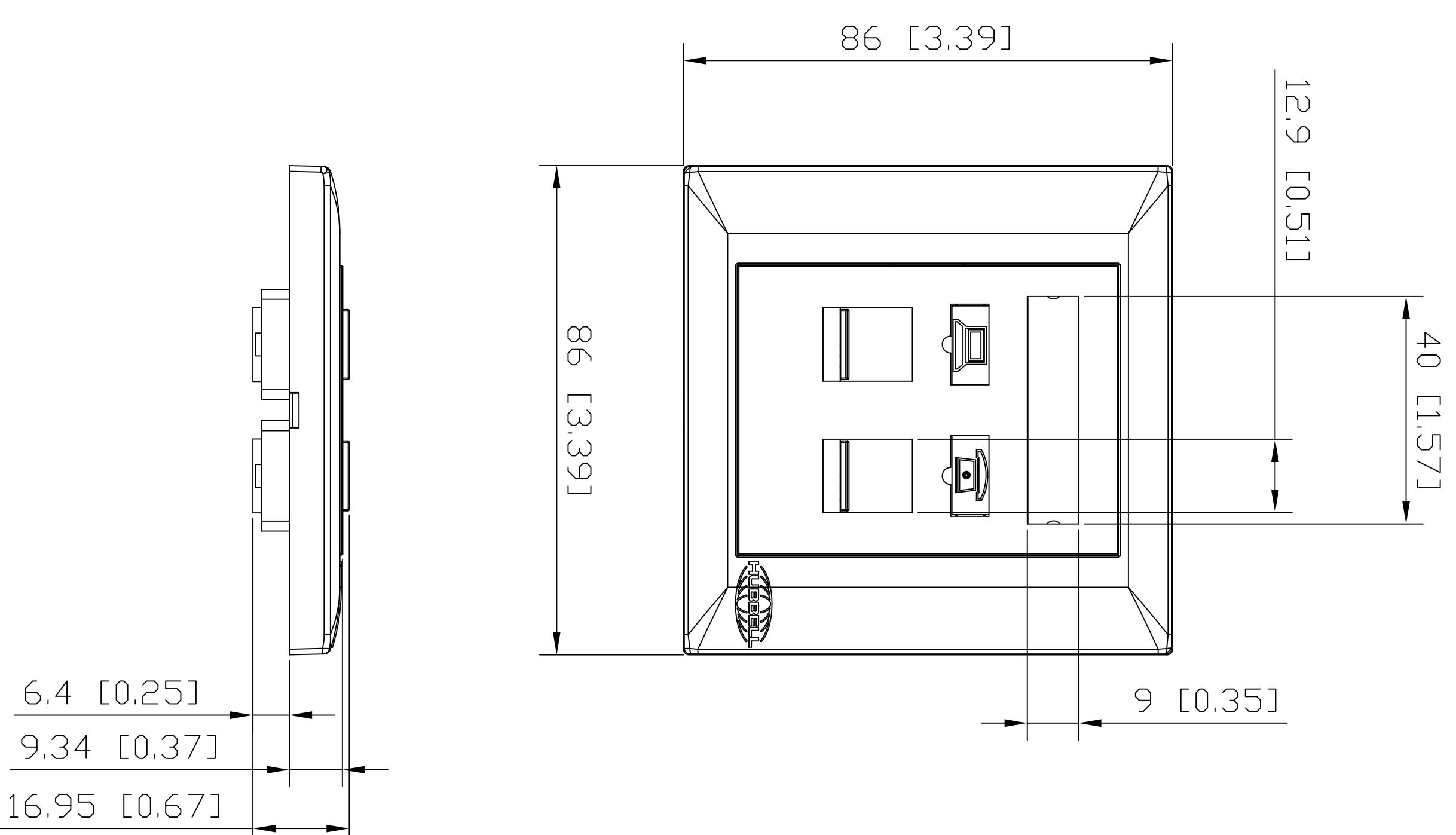
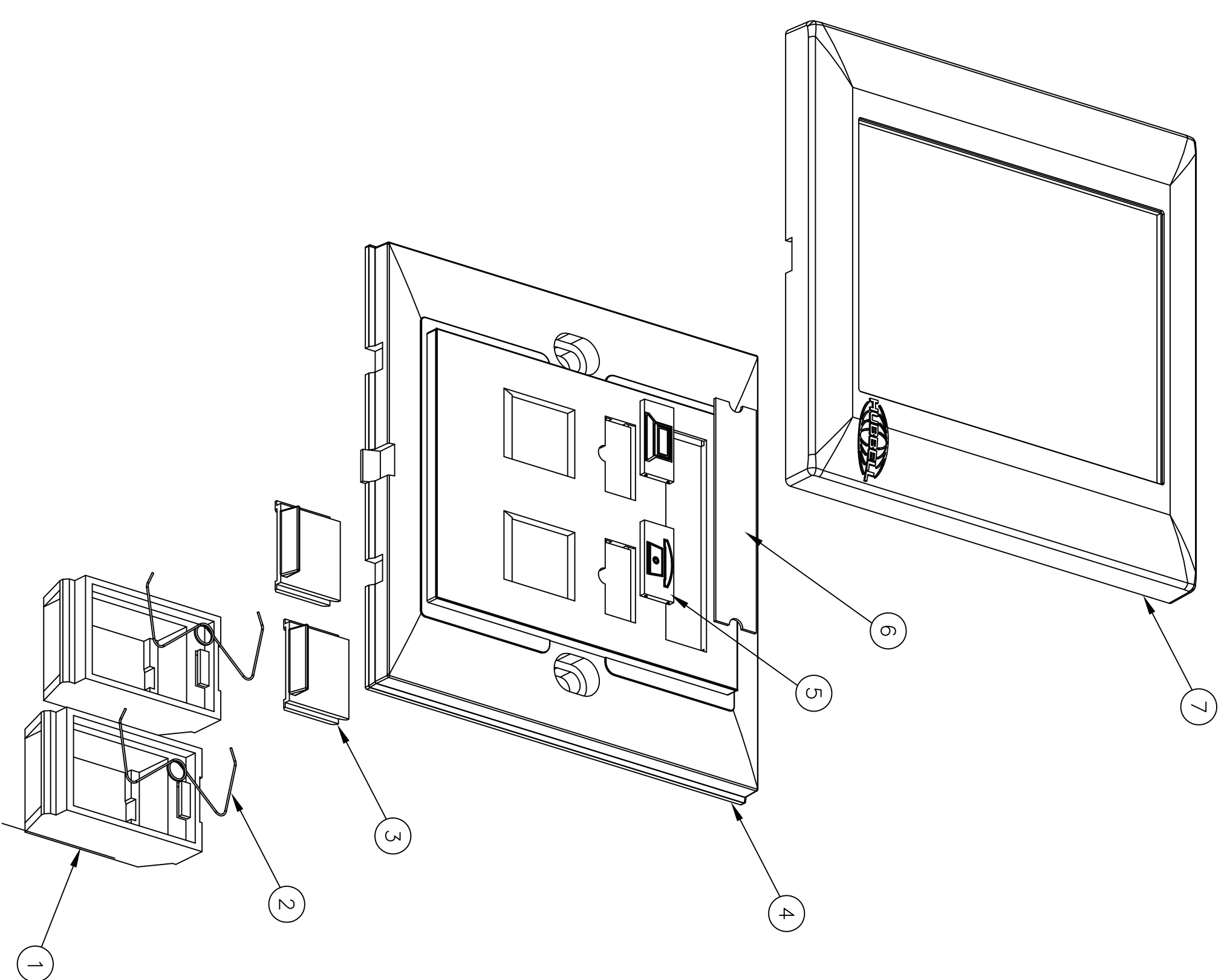


ITEM NO.	DESCRIPTION	QTY.
1	KEYSTONE MTG ADAPTER (HPW COMPATIBLE)	2
2	SHUTTER SPRING	2
3	SHUTTER	2
4	2-PORT BRITISH STYLE PLATE (BASE)	1
5	COMPUTER/TELEPHONE ICON	2
6	CLEAR LABEL FIELD COVER	1
7	2 PORT WALL PLATE COVER W/ HUBBELL LOGO	1
8	M4X25mm COMBO SCREW (NOT SHOWN)	2
9	M3.5X21mm COMBO SCREW (NOT SHOWN)	2



- NOTES:  
 1. SPECIFICATIONS SUBJECT TO CHANGE WITHOUT NOTICE.  
 2. PLATE COMES FULLY ASSEMBLED.

REV.	ECN	DATE	DESCRIPTION	CHG BY	APPD BY
2	18140	05/14/13	ADDED SCREW CALLOUTS TO THE TABLE	MMA	

Created on AUTOCAD		PROJECT REFERENCE: 040-11		TITLE: BRITISH STYLE WALL PLATE	
DIMENSIONING AND TOLERANCE PER ANSI Y14.5M-1982, UNLESS OTHERWISE SPECIFIED, DIMENSIONS ARE IN INCHES (MM). XX = ±.01 (.25) XXX = ±.005 (.127) XXXX = ±.0025 (.0635) ANGLE TOL. ±1°		MATERIAL: ABS		DRAWN BY: C. GRIBBLE 7/6/11	
IN ACCEPTING OUR DRAWINGS, BUYER AGREES TO HOLD HUBBELL HUBBELL CORPORATION AND ITS SUBSIDIARIES HARMLESS FROM AND AGAINST ALL CLAIMS, DAMAGES, LOSSES, COSTS, REASONABLE ATTORNEY'S FEES AND COSTS OF LITIGATION, INCLUDING REASONABLE COURT COSTS, THAT MAY BE ASSERTED AGAINST HUBBELL CORPORATION OR ITS SUBSIDIARIES BY ANY THIRD PARTY. THIS AGREEMENT SHALL BE BOUND BY THE TERMS AND CONDITIONS OF THE PURCHASE ORDER. HUBBELL CORPORATION AND ITS SUBSIDIARIES DO NOT DISCLOSE TO OTHERS THE IDEAS, INFORMATION, OR DESIGNS SHOWN HEREIN, AND PAA, YOU WILL MAKE NO USE OF SAME WITHOUT PERMISSION		CHECKED BY: C. GRIBBLE 7/6/11		APPROVED BY:	
HUBBELL Hubbell Premise Wiring HUBBELL INCORPORATED (Delaware) 14 Lord's Hill Road, Stonington, Connecticut 06378		SIZE: DRAWING NO. D HWS12975C		SCALE: NTS SHEET 1 OF 1	
REV. 2					