



## 1461-LC

### Brand Features

Tried-and-true toggle designs, Leviton Residential Grade AC Quiet Switches cover all the bases; they install easily and are available in standard and illuminated versions. Their toggles and frames are constructed of impact-resistant thermoplastic, and they feature large head, hardened triple-drive screws for easy installation. Leviton's traditional switches are compatible with a wide range of Leviton plastic and metal wallplates.

### Item Description

15 Amp, 120 Volt, Toggle Lighted Handle - Illuminated OFF Single-Pole AC Quiet Switch, Residential Grade, Grounding, Quickwire Push-In & Side Wired, - Clear

**NOTE: When connected to compact fluorescent lamps or LEDs, the bulb may flicker while switch is in the off position.**

**Color:** Clear

**UPC Code:** 07847746700

**Country Of Origin:** Mexico

### Technical Information

#### Product Features

**Actuator Material:** Polycarbonate

**Amperage:** 15 A

**Body Material:** Thermoplastic

**Color:** Clear

**Feature:** Lighted Handle - Illuminated OFF

**Grounding:** Grounding

**HP Rating:** 1/2HP-120V

**Max. Amperage:** 12 Amp

**Standards and Certifications:** UL/CSA

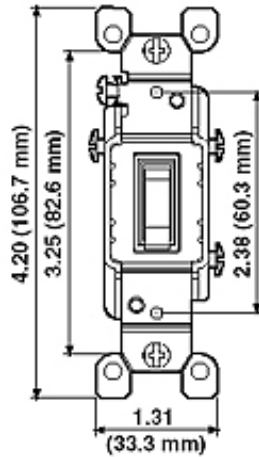
**Strap Material:** Steel

**Termination:** Quickwire Push-In & Side

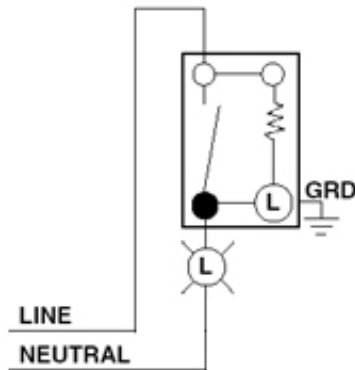
**Voltage:** 120 VAC

**Warranty:** 2 Year Limited

## Dimensional Diagram



## Wiring Diagram Single-Pole Lighted



## SPECIFICATION SUBMITTAL

JOB NAME: <input type="text"/>	CATALOG NUMBERS: <input type="text"/>
JOB NUMBER: <input type="text"/>	<input type="text"/>

### Leviton Manufacturing Co., Inc.

201 North Service Road, Melville, NY 11747

Teléfono: +1-800-323-8920 · FAX: +1-800-832-9538 · Tech Line (8:30AM-7:30PM E.S.T. Monday-Friday): +1-800-824-3005

### Leviton Manufacturing of Canada, Ltd.

165 Hymus Boulevard, Pointe Claire, Quebec H9R 1E9 · Telephone: +1-800-469-7890 ·

FAX: +1-800-824-3005 · [www.leviton.com/canada](http://www.leviton.com/canada)

### Leviton S. de R.L. de C.V.

Lago Tana 43, Mexico DF, Mexico CP 11290 · Tel.: (+52)55-5082-1040 · FAX: (+52)5386-1797 · [www.leviton.com.mx](http://www.leviton.com.mx)

Visit our Website at: [www.leviton.com](http://www.leviton.com)

© 2018 Leviton Manufacturing Co., Inc. Todos los derechos reservados. Subject to change without notice.

### Leviton has a global presence.

If you would like to know where your local Leviton office is located please go to:  
[www.leviton.com/international/contacts/](http://www.leviton.com/international/contacts/)

