



T5631-2W

Brand Features

The Leviton USB Charger/Tamper-Resistant Receptacle offers a ground-breaking 3.6A of charging power and a 15A-125V Tamper-Resistant Receptacle. This state-of-the-art device has the ability to charge up to two electronic devices simultaneously utilizing the USB Ports, leaving the receptacle free for additional power needs. The USB Ports are controlled by a smart chip which recognizes and optimizes the charging power of your device. This means you can spend less time charging your device and more time enjoying it! Our USB Charger/Tamper-Resistant Receptacle is ideal for charging tablets, smart and mobile phones, e-readers and much more.

Item Description

Combination Receptacle/Outlet and USB Charger. 15 Amp, 125 Volt, Decora Tamper-Resistant Receptacle/Outlet, NEMA 5-15R. 3.6 Amp, 5VDC USB Chargers. Grounding, Side Wired & Back Wired - White.

Color: White

UPC Code: 07847770704

Country Of Origin: China

Technical Information

Electrical Specifications

Amperage: 15 A

Flammability: Rated V-2 per UL94

Horsepower Rating: 15A-1/2 HP; 20A-1 HP

Operating Temperature: -10°C to 60°C

Ratings: 15A-125V

Voltage: 125 VAC

Material Specifications

Body Material: Thermoplastic

Color: White

Cover Material: Thermoplastic

Strap Material: Steel

Mechanical Specifications

Product ID: Stamped on Strap

Terminal Accom.: 14-12 AWG

Terminal ID: Brass-Hot Black-Hot
White-Neutral Green-Gnd

Termination: Back & Side

Torque Range: 12-14 inch pounds

Product Features

Grade: Residential/Commercial
Specification Grade

Ratings: 15A-125V

Amperage: 15 A

Voltage: 125 VAC

Standards and Certifications

cCSAus: Listed

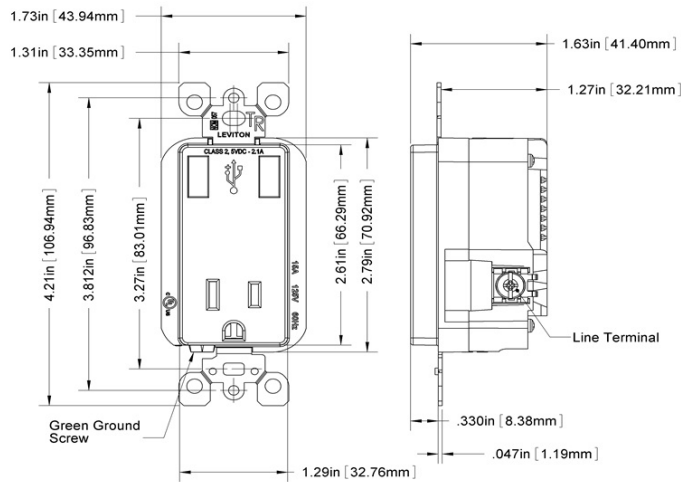
FCC Part 15: Class B

NOM: NOM-ANCE

Warranty: 5 Year Limited

Features and Benefits

- Tamper-Resistant 2011 NEC® Compliant shutter mechanism blocks access to contacts from most foreign objects for improved safety with other devices Perfect for use in residential applications such as kitchens, bedrooms and home offices and in commercial applications such as hotels, airports, restaurants and cafes, salons, office cubicles and college dorm rooms
- Smart chip designed for recognizing and optimizing the charging requirements of your device
- Strategic Placement of ports positioned vertically provides more space for maneuvering and reduces stress on USB cables
- USB Ports with a combined power of 3.6A, capable of charging multiple tablets and devices.
- Compact Design fits in a standard wallbox, is compatible with standard wallplates and can be multi-ganged with other standard Leviton devices
- Back and Side Wired for easy installation
- Easy to install. Can replace existing outlets
- cCSAus Listed



SPECIFICATION SUBMITTAL

JOB NAME: <input style="width: 95%; height: 20px;" type="text"/>	CATALOG NUMBERS: <input style="width: 95%; height: 20px;" type="text"/>	
JOB NUMBER: <input style="width: 95%; height: 20px;" type="text"/>	<input style="width: 95%; height: 20px;" type="text"/>	<input style="width: 95%; height: 20px;" type="text"/>

Leviton Manufacturing Co., Inc.

201 North Service Road, Melville, NY 11747

Teléfono: +1-800-323-8920 · FAX: +1-800-832-9538 · Tech Line (8:30AM-7:30PM E.S.T. Monday-Friday): +1-800-824-3005

Leviton Manufacturing of Canada, Ltd.

165 Hymus Boulevard, Pointe Claire, Quebec H9R 1E9 · Telephone: +1-800-469-7890 ·

FAX: +1-800-824-3005 · www.leviton.com/canada

Leviton S. de R.L. de C.V.

Lago Tana 43, Mexico DF, Mexico CP 11290 · Tel.: (+52)55-5082-1040 · FAX: (+52)5386-

1797 · www.leviton.com.mx

Visit our Website at: www.leviton.com

© 2018 Leviton Manufacturing Co., Inc. Todos los derechos reservados. Subject to change without notice.

Leviton has a global presence.

If you would like to know where your local Leviton office is located please go to:

www.leviton.com/international/contacts/

