



4011FO/4015FO/4015DFO/ 4017FO/4018FO

INSTALLATION INSTRUCTIONS

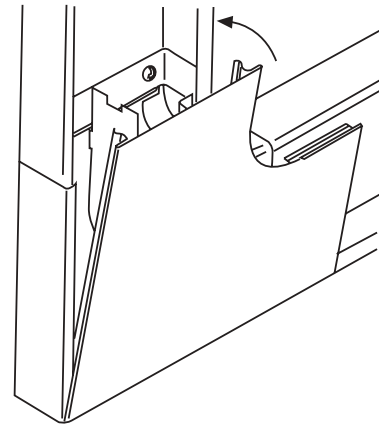
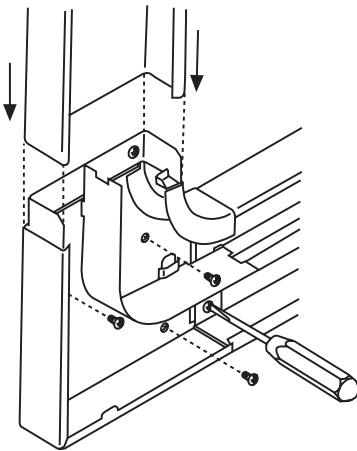
Installation Instruction No.: 41398R1 – Updated July 2004

Wiremold Electrical Systems conform to and should be installed and properly grounded in compliance with requirements of the current National Electrical Code, Canadian Electrical Code or codes administered by local authorities.

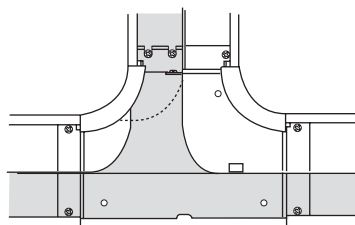
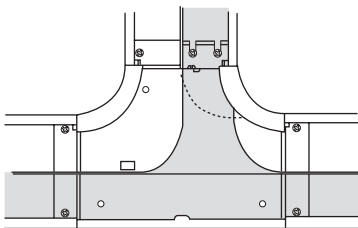
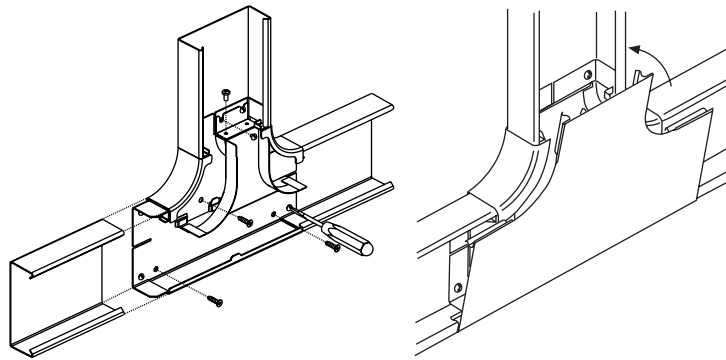
All electrical products may represent possible shock or fire hazard if improperly installed or used. Wiremold electrical products are UL Listed to U.S. and Canadian safety standards, made for interior use only, and should be installed in conformance with current local and/or the National Electrical Code.

Use #8 (5/16" [7.9mm] head size) flat head fasteners or equivalent to mount base to surface.

4011FO



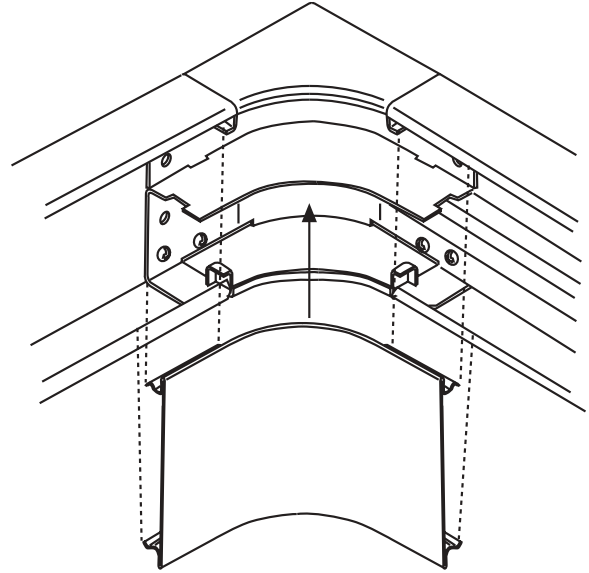
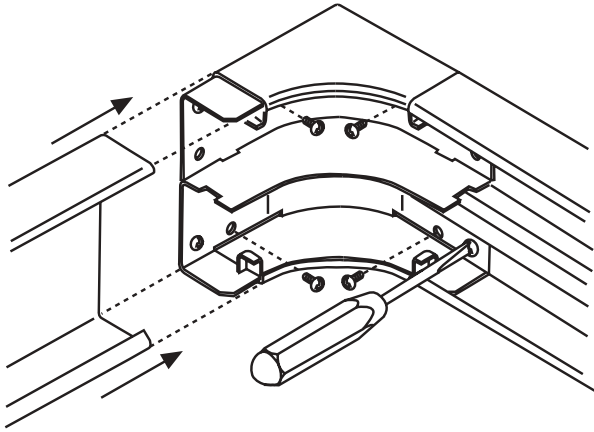
4015FO / 4015DFO



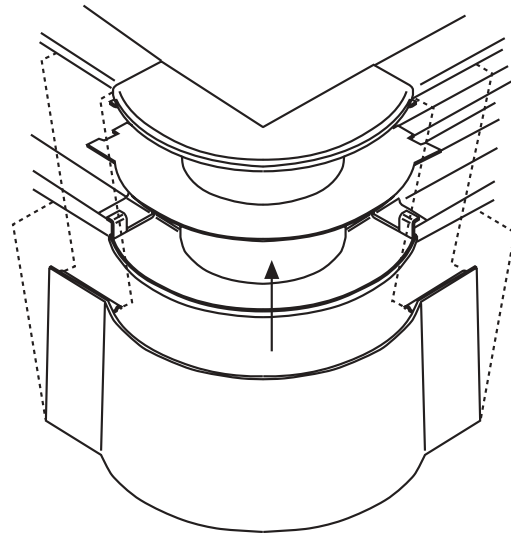
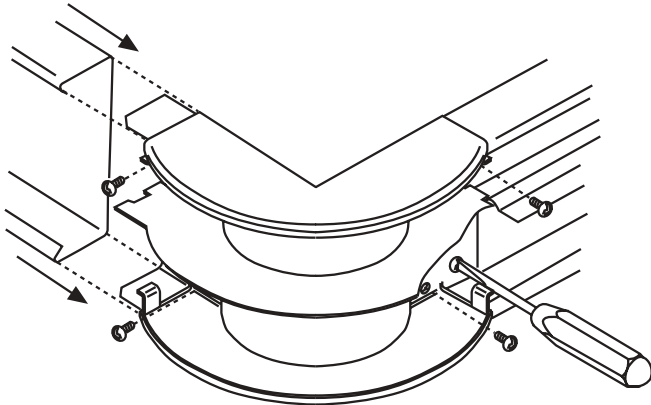
RACEWAY WIRE AND FILL CAPACITY WHEN USING 4015DFO

	CABLE/WIRE SIZE	O.D.		4015DFO 40% Fill
		Inches	[mm]	
POWER WIRING THHN/THWN	2 Awg	0.388	[9.86]	6
	4 Awg	0.328	[8.33]	9
	6 Awg	0.257	[6.53]	14
	8 Awg	0.218	[5.54]	20
	10 Awg	0.153	[3.89]	40
	12 Awg	0.122	[3.10]	63
	14 Awg	0.105	[2.67]	85
UNSHIELDED TWISTED PAIR	Cat. 5 UTP	0.220	[5.59]	19
	Cat. 3 UTP	0.190	[4.83]	26
Telephone	2 Pair	0.140	[3.56]	28
	3 Pair	0.150	[3.81]	42
	4 Pair	0.190	[4.83]	26
	25 Pair	0.410	[10.41]	6
COAXIAL	RG58/U	0.195	[4.95]	25
	RG59/U	0.242	[6.15]	16
	RG60/U	0.242	[6.15]	16
	RG6/U	0.270	[6.86]	13
TWINAXIAL	100 Ohm	0.330	[8.38]	9
SHIELDED TWISTED PAIR	Type 1 STP	0.390	[9.91]	6
	Type 2 STP	0.465	[11.81]	4
	Type 3 STP	0.245	[6.22]	16
FIBER OPTIC	Fiber ZipCord	0.110	[2.79]	78
	Round Fiber 2 Strand	0.180	[4.57]	29
	Round Fiber 4 Strand	0.190	[4.83]	26
	Round Fiber 6 Strand	0.210	[5.33]	21

4017FO



4018FO



The Wiremold Company
U.S. and International:
60 Woodlawn Street • West Hartford, CT 06110
1-800-621-0049 • FAX 860-232-2062 • Outside U.S.: 860-233-6251
Canada:
850 Gartshore Street • Fergus, Ontario N1M 2W8
1-800-741-7957 • FAX 519-843-5980

