

RIGID • IMC

J-Clamp for Rigid Conduit • IMC



Features

- Steel bolt - Case hardened
- RoHS compliant

Standard Materials

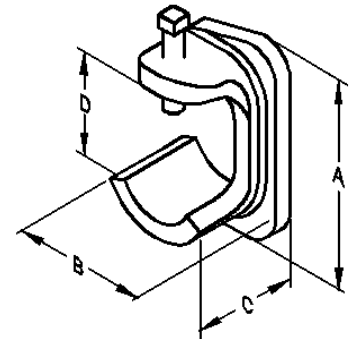
Malleable iron

Standard Finish

Zinc plated

Applicable Third Party Standards

- UL Standard: 2239
- UL Listed File # E213669



RIGID • IMC

CATALOG NUMBER	TRADE SIZE	DIM A	DIM B	DIM C	DIM D	INNER PACK	MASTER PACK	WEIGHT PER C
JC1KON	1/2"	2.938	1.563	1.313	1.813	25	100	41.3
JC2KON	3/4"	3.750	1.875	1.438	1.938	25	100	56.3
JC3KON	1" - 1-1/4"	4.125	2.063	1.813	2.688	10	100	118.8
JC4KON	1-1/2" - 2"	5.250	3.563	2.250	3.500	–	25	228.1
JC5KON	2-1/2" - 3"	6.688	4.813	2.813	4.750	–	25	375.0
JC6KON	3-1/2" - 4"	7.938	5.813	3.313	5.813	–	25	550.0