

CONDUIT BODIES • COVERS • GASKETS

Rigid MLB and MC Conduit Bodies, Malleable Iron for Rigid • IMC conduit



Applications

To provide access to conductors for pulling, splicing and maintenance

Features

- Tapered threaded hubs - NPT
- Suitable for use in concrete

Standard Materials

Malleable iron

Standard Finish

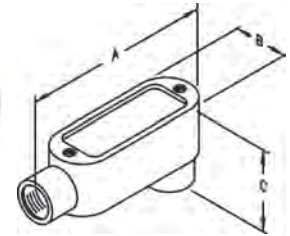
Zinc plated with aluminum enamel paint

Applicable Third Party Standards

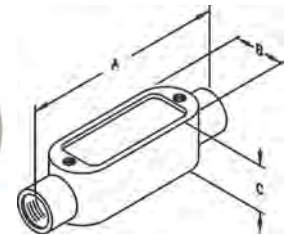
- UL Standard: 514B
- Fed. Spec. W-C-586D
- NEMA: FB-1
- UL Listed File # E208392



MLBKON



MCKON



CATALOG NUMBER	TRADE SIZE	DIM A	DIM B	DIM C	MASTER PACK	WEIGHT PER C
Rigid MLB Conduit Bodies						
MLB1KON	1/2"	4.680	1.313	2.063	10	70.6
MLB2KON	3/4"	5.375	1.500	2.250	10	96.7
MLB3KON	1"	6.190	1.813	2.625	5	142.7
MLB4KON	1-1/4"	8.125	2.625	2.750	5	287.3
MLB5KON	1-1/2"	8.125	2.625	2.813	5	331.5
MLB6KON	2"	10.500	3.125	4.438	5	534.1
MLB7KON	2-1/2"	13.625	4.313	5.375	1	1105.0
MLB8KON	3"	13.875	4.130	5.875	1	1160.3
MLB9KON	3-1/2"	16.250	5.625	6.875	1	1989.0
MLB10KON	4"	16.625	5.625	7.188	1	2099.5
Threaded MC Conduit Bodies						
MC1KON	1/2"	5.375	1.313	1.375	10	98.2
MC2KON	3/4"	6.000	1.500	1.688	10	118.4
MC3KON	1"	7.063	1.813	1.875	5	169.7
MC4KON	1-1/4"	9.000	5.625	2.750	5	309.4
MC5KON	1-1/2"	9.000	2.625	2.813	5	368.3
MC6KON	2"	11.500	3.125	3.313	5	552.5
MC7KON	2-1/2"	15.000	4.313	3.875	1	1215.5
MC8KON	3"	15.125	4.313	4.750	1	1436.5
MC9KON	3-1/2"	18.125	4.875	5.625	1	2210.0
MC10KON	4"	18.125	4.875	5.625	1	2320.5

CONDUIT BODIES • COVERS • GASKETS

Rigid MLL and MLR Conduit Bodies, Malleable Iron for Rigid • IMC conduit



Applications

To provide access to conductors for pulling, splicing and maintenance

Features

- Tapered threaded hubs - NPT
- Suitable for use in concrete

Standard Materials

Malleable iron

Standard Finish

Zinc plated with aluminum enamel paint

Applicable Third Party Standards

- UL Standard: 514A
- Fed. Spec. W-C-586D
- NEMA: FB-1
- UL Listed File # E208392



MLLKON



MLRKON

CATALOG NUMBER	TRADE SIZE	DIM A	DIM B	DIM C	MASTER PACK	WEIGHT PER C
Threaded MLL Conduit Bodies						
MLL1KON	1/2"	4.688	2.063	1.375	10	87.9
MLL2KON	3/4"	5.375	2.250	1.688	10	110.3
MLL3KON	1"	6.188	2.625	1.875	5	160.1
MLL4KON	1-1/4"	8.125	2.750	2.750	5	346.9
MLL5KON	1-1/2"	8.125	3.500	2.813	5	369.0
MLL6KON	2"	10.500	4.125	3.313	5	558.2
MLL7KON	2-1/2"	13.625	4.688	3.875	1	1211.3
MLL8KON	3"	13.875	5.875	4.750	1	1542.8
MLL9KON	3-1/2"	16.250	6.125	5.625	1	2444.0
MLL10KON	4"	16.250	6.938	5.625	1	2598.2
Threaded MLR Conduit Bodies						
MLR1KON	1/2"	4.688	2.063	1.375	10	82.9
MLR2KON	3/4"	5.375	2.250	1.688	10	115.6
MLR3KON	1"	6.188	2.625	1.875	5	178.5
MLR4KON	1-1/4"	8.125	2.750	2.750	5	368.0
MLR5KON	1-1/2"	8.125	3.500	2.813	5	382.8
MLR6KON	2"	10.500	4.125	3.313	5	687.1
MLR7KON	2-1/2"	13.625	4.688	3.875	1	1211.3
MLR8KON	3"	13.875	5.875	4.750	1	1542.8
MLR9KON	3-1/2"	16.250	6.125	5.625	1	2487.7
MLR10KON	4"	16.250	6.938	5.625	1	2667.2

CONDUIT BODIES • COVERS • GASKETS

Rigid MT and MTB Conduit Bodies, Malleable Iron for Rigid • IMC conduit



Applications

To provide access to conductors for pulling, splicing and maintenance

Features

- Tapered threaded hubs - NPT
- Suitable for use in concrete

Standard Materials

Malleable iron

Standard Finish

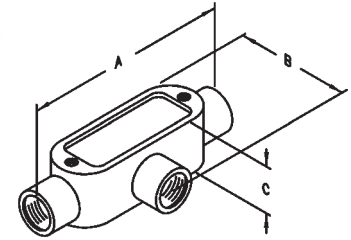
Zinc plated with aluminum enamel paint

Applicable Third Party Standards

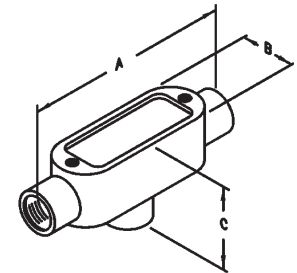
- UL Standard: 514A
- Fed. Spec. W-C-586D
- NEMA: FB-1
- UL Listed File # E208392



MTKON



MTBKON



CATALOG NUMBER	TRADE SIZE	DIM A	DIM B	DIM C	MASTER PACK	WEIGHT PER C
Threaded MT Conduit Bodies						
MT1KON	1/2"	5.625	2.063	1.313	10	122.4
MT2KON	3/4"	6.000	2.250	1.500	10	152.6
MT3KON	1"	7.063	2.625	1.813	5	218.4
MT4KON	1-1/4"	9.000	2.750	2.625	5	369.0
MT5KON	1-1/2"	9.000	3.500	2.625	5	405.8
MT6KON	2"	11.500	4.125	3.125	5	723.9
MT7KON	2-1/2"	15.000	5.688	4.313	1	1377.1
MT8KON	3"	15.125	5.875	4.313	1	1609.5
MT9KON	3-1/2"	18.125	6.813	4.875	1	2708.7
MT10KON	4"	18.125	8.188	4.875	1	2708.7
Threaded TB Conduit Bodies						
MTB1KON	1/2"	5.375	2.063	1.313	10	100.3
MTB2KON	3/4"	6.000	2.250	1.500	10	135.3
MTB3KON	1"	7.063	2.625	1.813	5	219.3
MTB4KON	1-1/4"	9.000	2.750	2.625	5	380.1
MTB5KON	1-1/2"	9.000	3.500	2.625	5	457.4
MTB6KON	2"	11.500	4.125	3.125	5	751.5



CONDUIT BODIES • COVERS • GASKETS

Rigid X Conduit Bodies, Malleable Iron for Rigid • IMC conduit

Applications

To provide access to conductors for pulling, splicing and maintenance

Features

- Tapered threaded hubs - NPT
- Suitable for use in concrete

Standard Materials

Malleable iron

Standard Finish

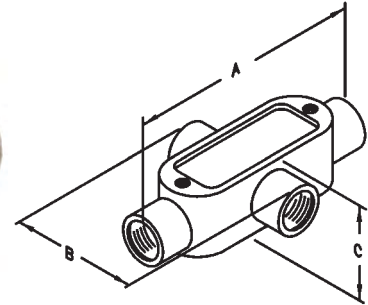
Zinc plated with aluminum enamel paint

Applicable Third Party Standards

- UL Standard: 514A
- Fed. Spec. W-C-586D
- NEMA: FB-1
- UL Listed File # E208392



MXKON



CATALOG NUMBER	TRADE SIZE	DIM A	DIM B	DIM C	MASTER PACK	WEIGHT PER C
MX1KON	1/2"	5.438	2.813	1.750	10	138.8
MX2KON	3/4"	6.063	2.938	2.000	10	172.1
MX3KON	1"	7.125	3.563	2.250	5	246.8
MX4KON	1-1/4"	9.125	4.438	2.563	5	416.4
MX5KON	1-1/2"	9.125	4.438	2.750	5	462.6
MX6KON	2"	11.750	5.375	3.438	5	832.7