

RIGID • IMC

Malleable Iron Threadless Bushings 150° Insulated for Threadless Rigid Conduit • IMC



Features

- The plastic liner won't chip, crack, swell or shrink. It resists corrosion, chemicals and temperature extremes
- Three set screws provided with each fitting locks bushing in any desired position
- RoHS compliant

Standard Materials

Body - Malleable iron
 Insuliner - ULTEM1000 rated at 150° C
 Set screws - Steel

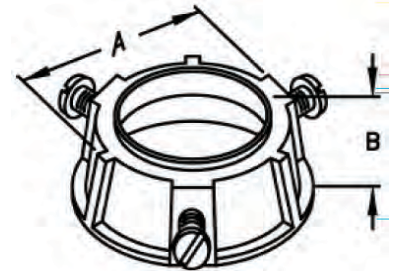
Standard Finish

Body - Zinc plated

Applicable Third Party Standards

- UL Standard: 467
- UL Standard: 514B
- Fed. Spec. W-F-408E
- NEMA: FB-1
- UL Listed File # E207875

U.S. Patent No. 6.808.181



RIGID • IMC

CATALOG NUMBER	TRADE SIZE	DIM A	DIM B	INNER PACK	MASTER PACK	WEIGHT PER C
Malleable Iron Insulated Conduit Bushings 150° for Threadless Rigid Conduit and IMC						
BRC-50SKON	1/2"	1.063	0.688	100	500	5.5
BRC-75SKON	3/4"	1.250	0.688	50	250	8.8
BRC-100SKON	1"	1.625	0.750	50	250	13.2
BRC-125SKON	1-1/4"	2.000	0.813	25	125	16.5
BRC-150SKON	1-1/2"	2.313	0.813	25	125	20.9
BRC-200SKON	2"	2.750	0.875	10	50	25.4
BRC-250SKON	2-1/2"	3.313	1.000	–	10	50.7
BRC-300SKON	3"	4.000	1.000	–	10	66.1
BRC-350SKON	3-1/2"	4.375	1.063	–	10	71.7
BRC-400SKON	4"	5.063	1.125	–	10	102.5
BRC-500SKON	5"	6.125	1.188	–	5	146.6
BRC-600SKON	6"	7.188	1.188	–	5	184.1

RIGID • IMC

Malleable Iron Threadless Bushings 150° with Aluminum Lug for Rigid Conduit • IMC



Features

- The plastic liner won't chip, crack, swell or shrink. It resists corrosion, chemicals and temperature extremes
- Two set screws provided with each fitting locks bushing in any desired position
- UL Listed for use with copper or aluminum grounding conductors
- RoHS compliant

Standard Materials

Body - Malleable iron
 Lug - Aluminum
 Insuliner - ULTEM1000 rated at 150° C
 Clamping screw - Steel
 Set screw - Steel

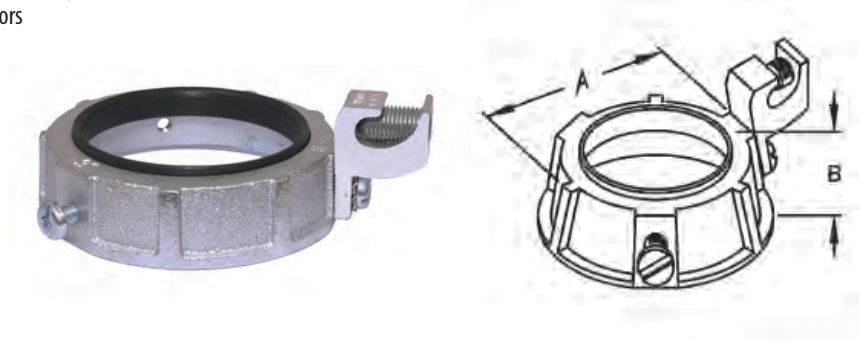
Standard Finish

Body - Zinc plated
 Lug - Aluminum

Applicable Third Party Standards

- UL Standard: 467
- UL Standard: 514B
- Fed. Spec. W-F-408E
- NEMA: FB-1
- UL Listed File # E212551

U.S. Patent No. 6.808.181



CATALOG NUMBER	TRADE SIZE	LUG SIZE	DIM A	DIM B	INNER PACK	MASTER PACK	WEIGHT PER C
BRC-50S-1AKON	1/2"	4-14	1.063	0.688	100	500	7.4
BRC-75S-1AKON	3/4"	4-14	1.250	0.688	50	250	10.7
BRC-100S-1AKON	1"	4-14	1.625	0.750	50	250	15.1
BRC-125S-1AKON	1-1/4"	4-14	2.000	0.813	25	125	18.4
BRC-125S-2AKON	1-1/4"	1/0-8	2.000	0.813	25	125	23.1
BRC-150S-1AKON	1-1/2"	4-14	2.313	0.813	25	125	22.8
BRC-150S-2AKON	1-1/2"	1/0-8	2.313	0.813	25	125	27.5
BRC-200S-1AKON	2"	4-14	2.750	0.875	10	50	27.3
BRC-200S-2AKON	2"	1/0-8	2.750	0.875	10	50	32.0
BRC-250S-2AKON	2-1/2"	1/0-8	3.313	1.000	–	10	57.3
BRC-250S-3AKON	2-1/2"	3/0-6	3.313	1.000	–	10	67.1
BRC-250S-4AKON	2-1/2"	250MCM-6	3.313	1.000	–	10	69.5
BRC-300S-2AKON	3"	1/0-8	4.000	1.000	–	10	72.7
BRC-300S-3AKON	3"	3/0-6	4.000	1.000	–	10	82.5
BRC-300S-4AKON	3"	250MCM-6	4.000	1.000	–	10	84.9
BRC-350S-3AKON	3-1/2"	3/0-6	4.375	1.063	–	10	88.1
BRC-350S-4AKON	3-1/2"	250MCM-6	4.375	1.063	–	10	89.9
BRC-400S-3AKON	4"	3/0-6	5.063	1.125	–	10	118.9
BRC-400S-4AKON	4"	250MCM-6	5.063	1.125	–	10	121.3
BRC-500S-3AKON^	5"	3/0-6	6.125	1.188	–	5	163.0
BRC-500S-4AKON^	5"	250MCM-6	6.125	1.188	–	5	165.4
BRC-600S-3AKON^	6"	3/0-6	7.188	1.188	–	5	200.5
BRC-600S-4AKON^	6"	250MCM-6	7.188	1.188	–	5	202.9

^ 5" and 6" are NOT UL approved



RIGID • IMC

Malleable Iron Threadless Bushings 150° with Copper Lug for Rigid Conduit • IMC

Features

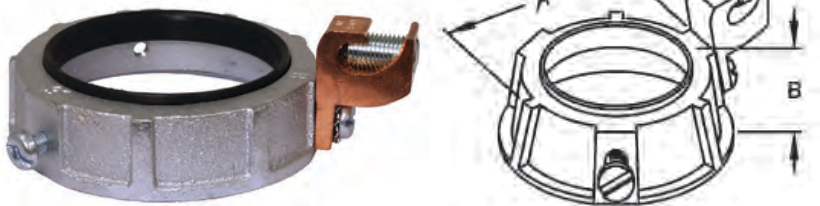
- The plastic liner won't chip, crack, swell or shrink. It resists corrosion, chemicals and temperature extremes
- Two set screws provided with each fitting locks bushing in any desired position
- UL Listed for use with copper or aluminum grounding conductors
- RoHS compliant

Standard Materials

Body - Malleable iron
Lug - Copper
Insuliner - ULTEM1000 rated at 150° C
Clamping screw - Steel
Set screw - Steel

Standard Finish

Body - Zinc plated



Applicable Third Party Standards

- UL Standard: 467
- UL Standard: 514B
- Fed. Spec. W-F-408E
- NEMA: FB-1
- UL Listed File # E212551

U.S. Patent No. 6.808.181

CATALOG NUMBER	TRADE SIZE	LUG SIZE	DIM A	DIM B	INNER PACK	MASTER PACK	WEIGHT PER C
BRC-50S-1CKON	1/2"	4-14	1.063	0.688	100	500	9.9
BRC-75S-1CKON	3/4"	4-14	1.250	0.688	50	250	13.2
BRC-100S-1CKON	1"	4-14	1.625	0.750	50	250	17.6
BRC-125S-1CKON	1-1/4"	4-14	2.000	0.813	25	125	20.9
BRC-125S-2CKON	1-1/4"	1/0-8	2.000	0.813	25	125	32.4
BRC-150S-1CKON	1-1/2"	4-14	2.313	0.813	25	125	25.3
BRC-150S-2CKON	1-1/2"	1/0-8	2.313	0.813	25	125	36.8
BRC-200S-1CKON	2"	4-14	2.750	0.875	10	50	29.8
BRC-200S-2CKON	2"	1/0-8	2.750	0.875	10	50	41.3
BRC-250S-2CKON	2-1/2"	1/0-8	3.313	1.000	–	10	66.5
BRC-250S-3CKON	2-1/2"	3/0-6	3.313	1.000	–	10	90.7
BRC-250S-4CKON	2-1/2"	250MCM-6	3.313	1.000	–	10	101.0
BRC-300S-2CKON	3"	1/0-8	4.000	1.000	–	10	82.0
BRC-300S-3CKON	3"	3/0-6	4.000	1.000	–	10	106.1
BRC-300S-4CKON	3"	250MCM-6	4.000	1.000	–	10	116.4
BRC-350S-3CKON	3-1/2"	3/0-6	4.375	1.063	–	10	111.7
BRC-350S-4CKON	3-1/2"	250MCM-6	4.375	1.063	–	10	122.0
BRC-400S-3CKON	4"	3/0-6	5.063	1.125	–	10	142.5
BRC-400S-4CKON	4"	250MCM-6	5.063	1.125	–	10	152.8
BRC-500S-3CKON^	5"	3/0-6	6.063	1.188	–	5	186.6
BRC-500S-4CKON^	5"	250MCM-6	6.063	1.188	–	5	196.9
BRC-600S-3CKON^	6"	3/0-6	7.188	1.188	–	5	224.1
BRC-600S-4CKON^	6"	250MCM-6	7.188	1.188	–	5	234.4

^ 5" and 6" are NOT UL approved