

# SIEMENS

## Max Flex<sup>(TM)</sup> Disconnect Switch

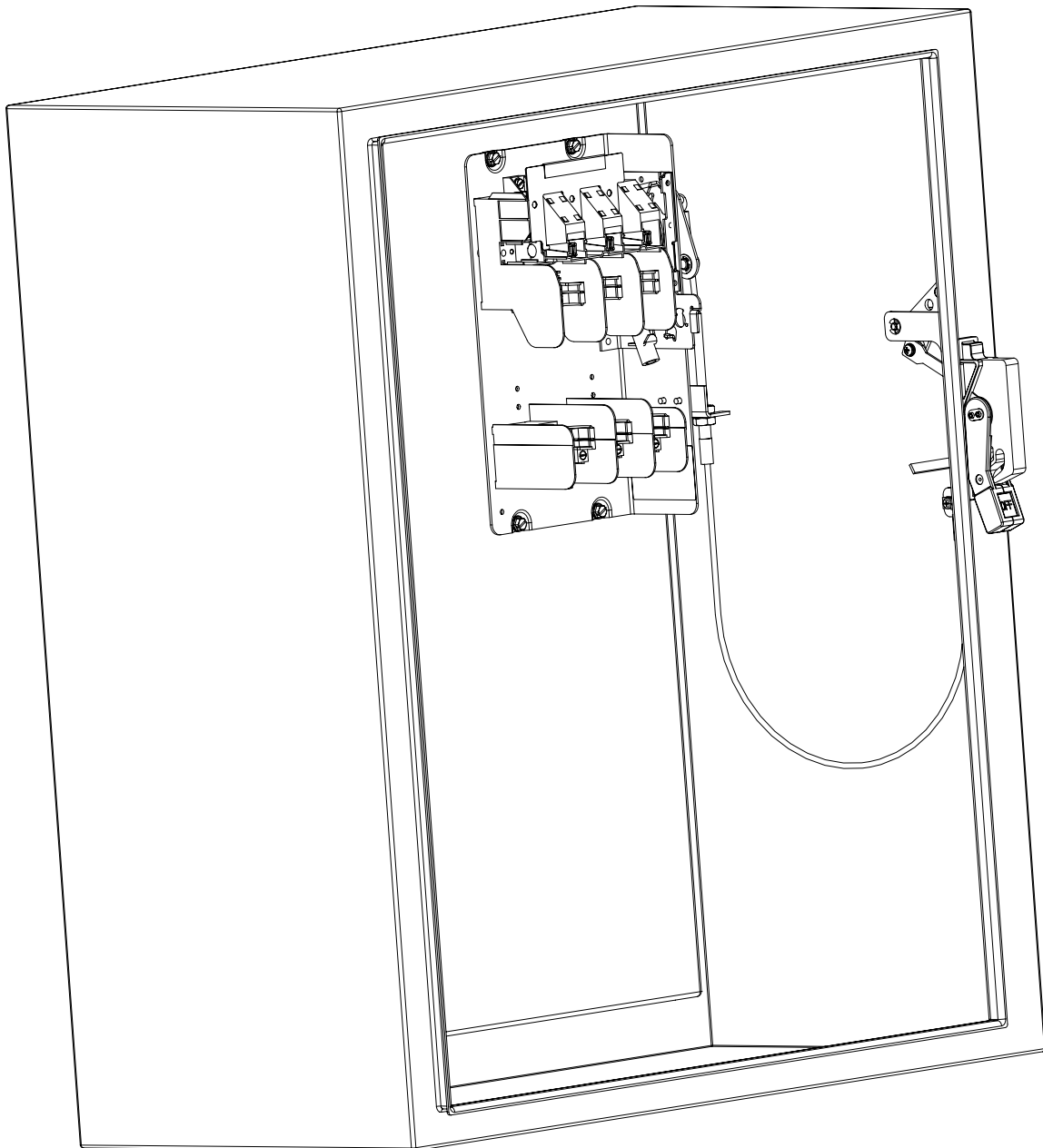
Item:

Panel Mounted Disconnect Switch		Cable Kit	Handle Kit
VBFS321	VBFS364	FHOEC036 FHOEC048	VBHM1
VBFS361	VBNFS361		
VBFS322	VBNFS362		
VBFS362	VBNFS363		
VBFS363	VBNFS364		

(One of each required for complete assembly)

### Installation Instructions

 <b>Danger</b>	 <b>Peligro</b>	 <b>Danger</b>
<p><b>Hazardous Voltage.</b> Will cause death or serious injury.</p> <p> Turn off and lock out all power supplying this device before working on this device. Replace all covers before power supplying this device is turned on.</p>	<p><b>Tensión peligrosa.</b> Puede causar la muerte o lesiones graves.</p> <p>Desenergice totalmente antes de instalar o darle servicio. Reemplace todas las barreras y cubiertas antes de energizar el interruptor.</p>	<p><b>Tension dangereuse.</b> Danger de mort ou risque de blessures graves.</p> <p>Couper l'alimentation de l'appareil et barrer avant de travailler. Remplacez tous les couverts avant que l'approvisionnement de pouvoir soit alimenté.</p>



**Danger****Peligro****Danger**

**Hazardous Voltage.**  
Will cause death or serious injury.

**Tensión peligrosa.**  
Puede causar la muerte o lesiones graves.  
Desenergice totalmente antes de instalar o darle servicio.  
Reemplace todas las barreras y cubiertas antes de energizar el interruptor.

**Tension dangereuse.**  
Danger de mort ou risque de blessures graves.  
Couper l'alimentation de l'appareil et barrer avant de travailler.  
Remplacez tous les couverts avant que l'alimentation de pouvoir soit alimenté.



Turn off and lock out all power supplying this device before working on this device.  
Replace all covers before power supplying this device is turned on.

**Panel Mount Assembly**

Catalog Numbers		Component	Index	QTY
VBFS321	VBFS364	Linebase ( factory installed )	1a	1
VBFS322	VBNFS361	Loadbase ( factory installed - Fused Only )	1b	1
VBFS361	VBNFS362	Mechanism ( factory installed )	1c	1
VBFS362	VBNFS363	Mounting Pan	1d	1
VBFS363	VBNFS364	Screw, 1/4-20 x 1/2 (not shown)	2	4

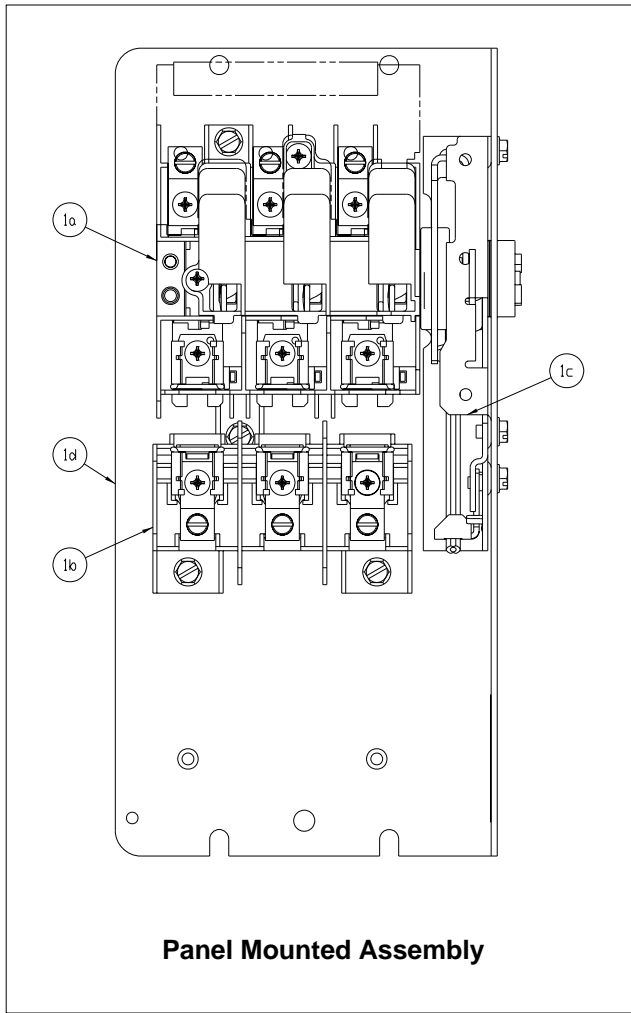
**Cable Kit**

Catalog Numbers		Component	Index	QTY
FHOEC036 FHOEC048		Cable	3	1
		Swivel	4	1
		Hex Nut, #10-32	5	2*
		Cable Retainer	6	2
		Retainer Shim	7	1
		E-Ring, .38	8	1
		Screw, 10-32 X .38	9	2
		Lock washers, #10	10	2

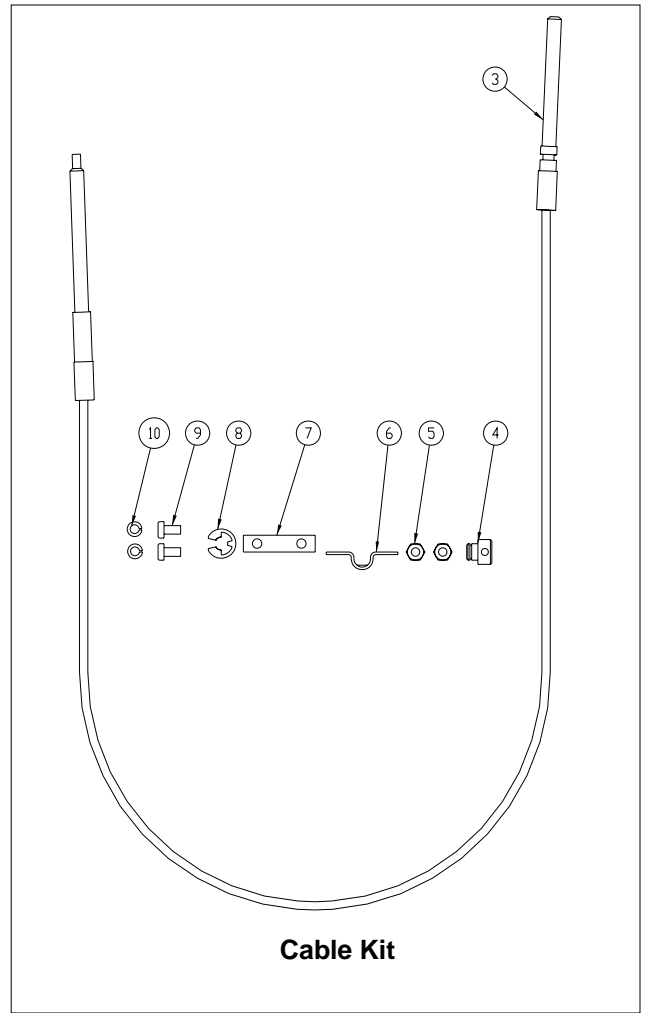
**Handle Kit**

Catalog Numbers		Component	Index	QTY
VBHM1		Handle	11	1
		Bellcrank Assembly	12	1
		Washer, teflon, .378 ID	13	1
		Screw, 10-32 x .63	14	1
		Flat washers, 1/4"	15	2
		Lock washers, 1/4"	16	2
		Screw, 1/4-20x3/4, socket head cap screw	17	2
		Drive Plate	18	1
		Drive Pin	19	1
		E-Ring, .38	20	1
		Washer, teflon, .315 ID	21	1
		Screw, 10-32x.38	22	4
		Swivel	23	1
		Cable Support	24	1
		Lock Washer, #10	25	2
		Cover Interlock	26	1
		Cover Interlock Mounting Bracket	27	1
		Lock washers, #8	28	2
		Screw, #8-32x.31	29	2
		Flat Washer, #10	30	1
	Nut, #10 Nylock	31	1	

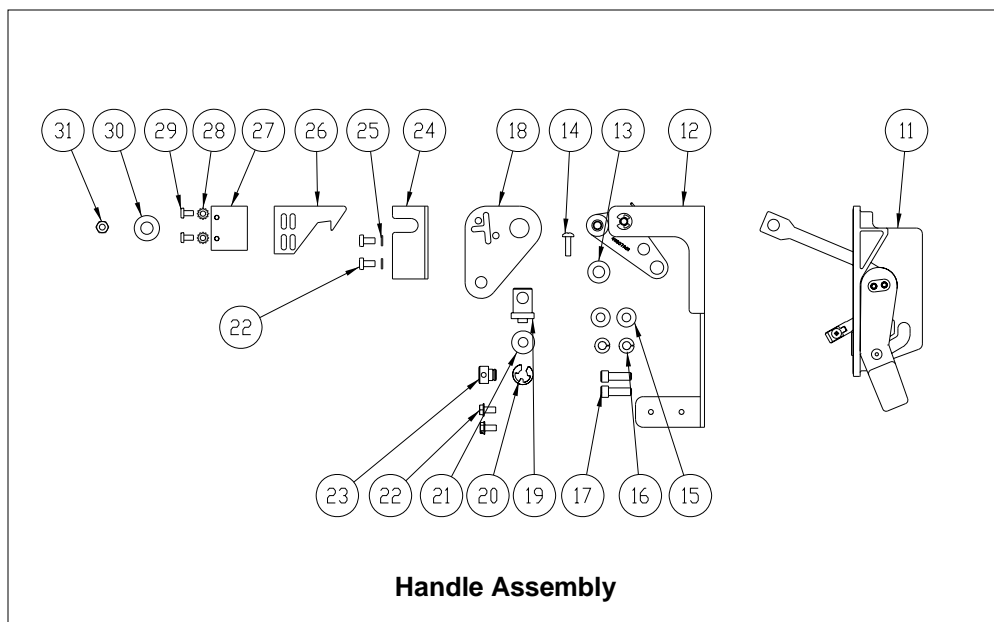
\*Not used for this installation.



**Panel Mounted Assembly**



**Cable Kit**



**Handle Assembly**



**Danger**

**Hazardous Voltage.**  
Will cause death or serious injury.

Turn off and lock out all power supplying this device before working on this device.  
Replace all covers before power supplying this device is turned on.

**Peligro**

**Tensión peligrosa.**  
Puede causar la muerte o lesiones graves.

Desenergice totalmente antes de instalar o darle servicio. Reemplace todas las barreras y cubiertas antes de energizar el interruptor.

**Danger**

**Tension dangereuse.**  
Danger de mort ou risque de blessures graves.

Couper l'alimentation de l'appareil et barrer avant de travailler.  
Remplacez tous les couverts avant que l'approvisionnement de pouvoir soit alimenté.



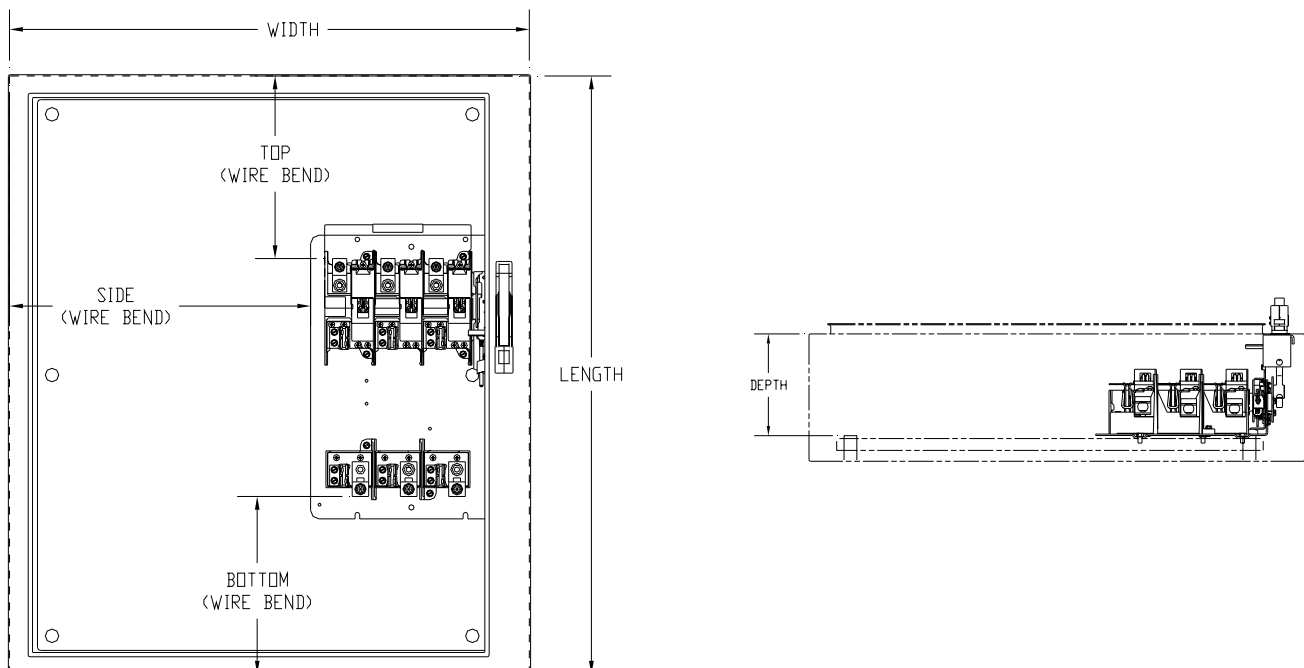
### Minimum Enclosure Size

CATALOG NO.	AMPERAGE	DESCRIPTION	LENGTH	WIDTH	DEPTH
VBFS321F / VBFS361F	30	FUSIBLE	14.25	7.00	6.94
VBNS361F	30	NON-FUSIBLE	11.78	7.00	6.94
VBFS322F / VBFS362F	60	FUSIBLE	16.30	9.05	6.94
VBNS362F	60	NON-FUSIBLE	16.30	9.05	6.94
VBFS363F	100	FUSIBLE	22.00	9.53	6.94
VBNS363F	100	NON-FUSIBLE	22.00	9.53	6.94
VBFS364F	200	FUSIBLE	30.00	14.50	7.70
VBNS364F	200	NON-FUSIBLE	30.00	14.50	7.70

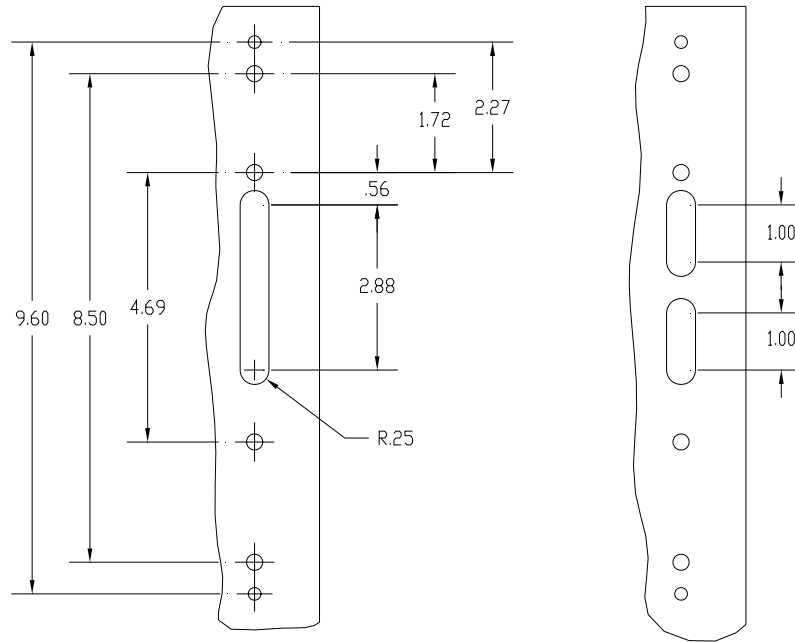
### Minimum Wire Bend\*

CATALOG NO.	AMPERAGE	DESCRIPTION	WIRE SIZE (AWG or kcmil)	TOP (Min)	BOTTOM (Min)	SIDE (Min)
VBFS321F / VBFS361F	30	FUSIBLE	14-6	2.00	2.00	1.50
VBNS361F	30	NON-FUSIBLE	14-6	2.00	2.00	1.50
VBFS322F / VBFS362F	60	FUSIBLE	14-2	3.50	3.50	2.50
VBNS362F	60	NON-FUSIBLE	14-2	3.50	3.50	2.50
VBFS363F	100	FUSIBLE	14-1/0	5.50	5.50	3.50
VBNS363F	100	NON-FUSIBLE	14-1/0	5.50	5.50	3.50
VBFS364F	200	FUSIBLE	6-300	7.00	7.00	5.00
VBNS364F	200	NON-FUSIBLE	6-300	7.00	7.00	5.00

(All dimensions are in inches)

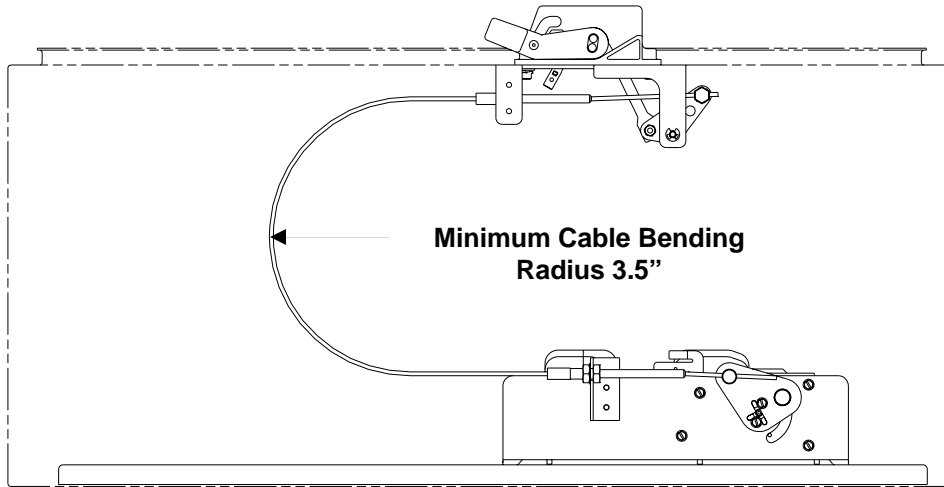




**Mounting and Handle Cut-out Dimensions:**

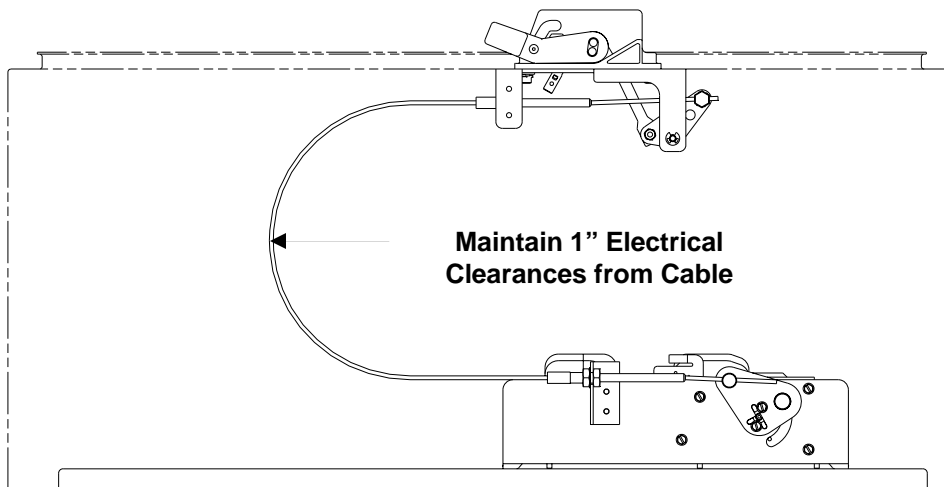


	<p><b>⚠ Danger</b></p> <p><b>Hazardous Voltage.</b> Will cause death or serious injury.</p>	<p><b>⚠ Peligro</b></p> <p><b>Tensión peligrosa.</b> Puede causar la muerte o lesiones graves.</p>	<p><b>⚠ Danger</b></p> <p><b>Tension dangereuse.</b> Danger de mort ou risque de blessures graves.</p>
	<p>Turn off and lock out all power supplying this device before working on this device. Replace all covers before power supplying this device is turned on.</p>	<p>Desenergice totalmente antes de instalar o darle servicio. Reemplace todas las barreras y cubiertas antes de energizar el interruptor.</p>	<p>Couper l'alimentation de l'appareil et barrer avant de travailler. Remplacez tous les couverts avant que l'alprovisionnement de pouvoir soit alimenté.</p>

**Cable Position**



	<p><b>⚠ WARNING</b></p> <p><b>Hazardous Voltage.</b> Can cause death or serious injury and Equipment Damage.</p>	<p><b>⚠ ADVERTENCIA</b></p> <p><b>Tensión Peligrosa.</b> Puede causar la muerte o lesiones graves y daños al equipo.</p>	<p><b>⚠ AVERTISSEMENT</b></p> <p><b>Tension dangereuse.</b> Peut provoquer des blessures graves ou mortelles ou causer des dommages à l'équipement.</p>
	<p>Proper electrical clearances must be maintained</p>	<p>Las separaciones eléctricas adecuadas deben ser mantenidas.</p>	<p>Les dégagements électriques appropriés doivent être maintenus.</p>





**⚠ Danger**

**Hazardous Voltage.**  
Will cause death or serious injury.

Turn off and lock out all power supplying this device before working on this device.  
Replace all covers before power supplying this device is turned on.

**⚠ Peligro**

**Tensión peligrosa.**  
Puede causar la muerte o lesiones graves.

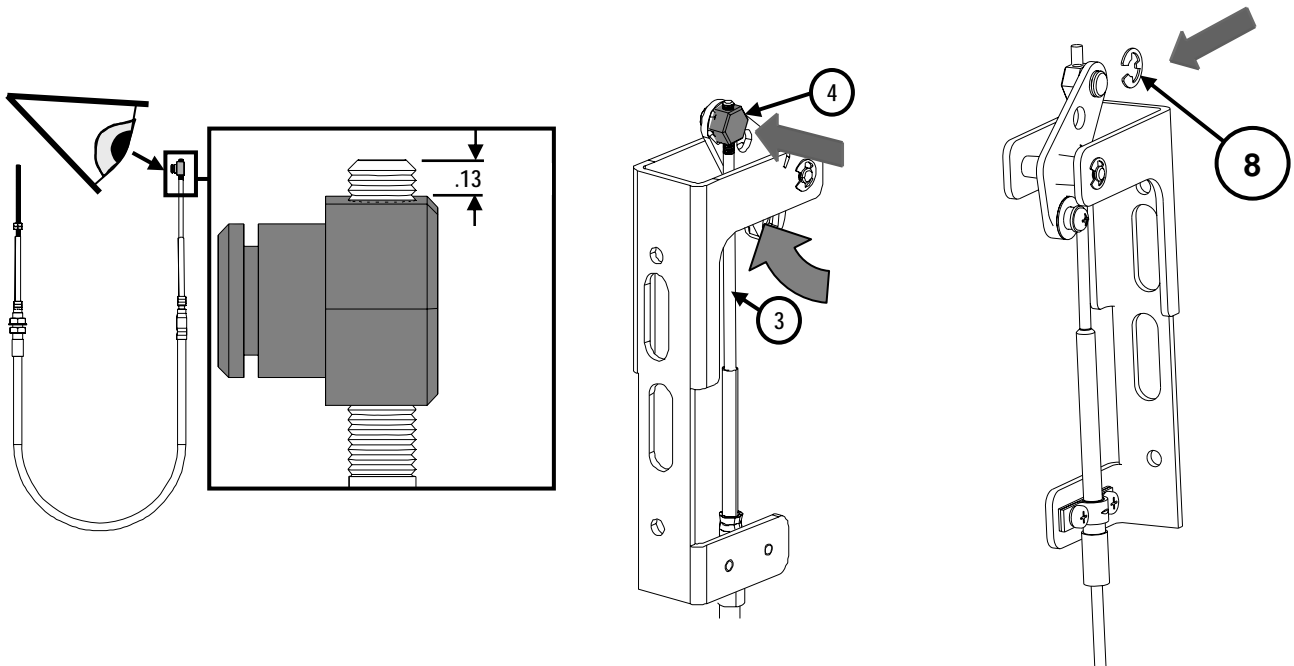
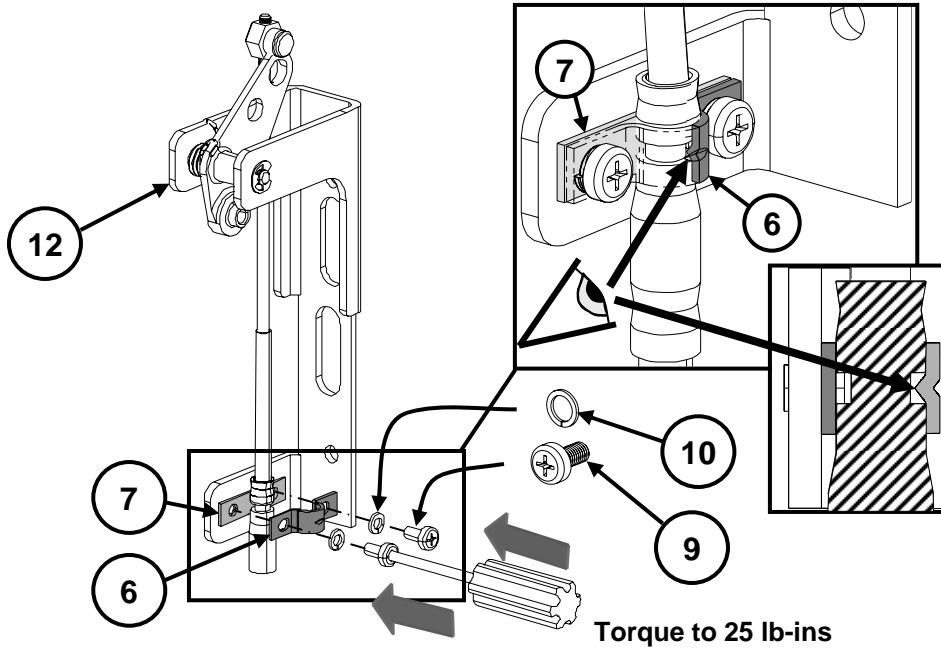
Desenergice totalmente antes de instalar o darle servicio.  
Reemplace todas las barreras y cubiertas antes de energizar el interruptor.

**⚠ Danger**

**Tension dangereuse.**  
Danger de mort ou risque de blessures graves.

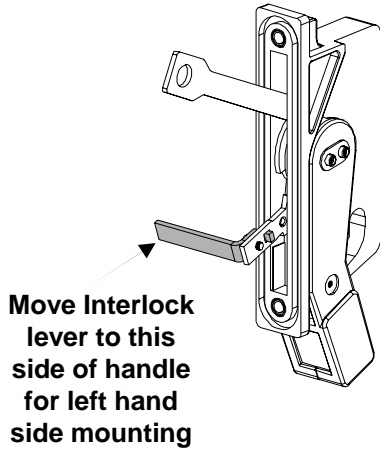
Couper l'alimentation de l'appareil et barrer avant de travailler.  
Remplacez tous les couverts avant que l'alprovisionnement de pouvoir soit alimenté.

**Install Cable on Bellcrank Assembly**

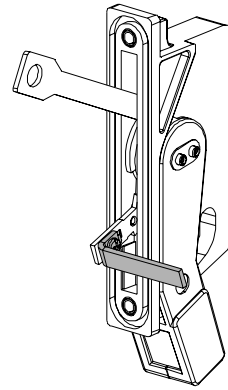


**Prepare Handle for Installation**

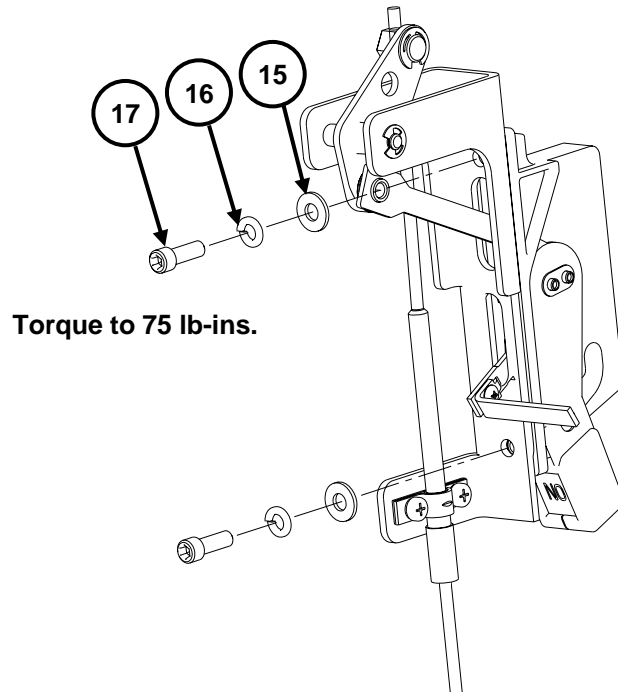
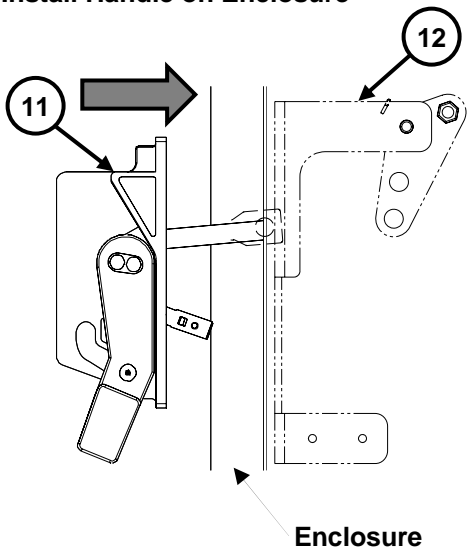
**Left hand side mounting  
(Modify Interlock Lever Position)**



**Right hand side mounting  
(Use interlock lever as shipped from the factory)**



**Install Handle on Enclosure**



**(Enclosure removed for clarity)**





**⚠ Danger**

**Hazardous Voltage.**  
**Will cause death or serious injury.**

Turn off and lock out all power supplying this device before working on this device.  
Replace all covers before power supplying this device is turned on.

**⚠ Peligro**

**Tensión peligrosa.**  
**Puede causar la muerte o lesiones graves.**

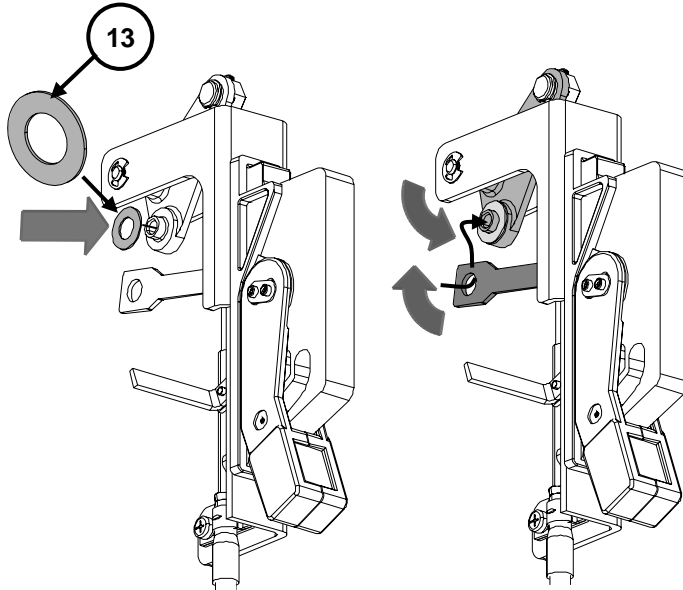
Desenergice totalmente antes de instalar o darle servicio.  
Reemplace todas las barreras y cubiertas antes de energizar el interruptor.

**⚠ Danger**

**Tension dangereuse.**  
**Danger de mort ou risque de blessures graves.**

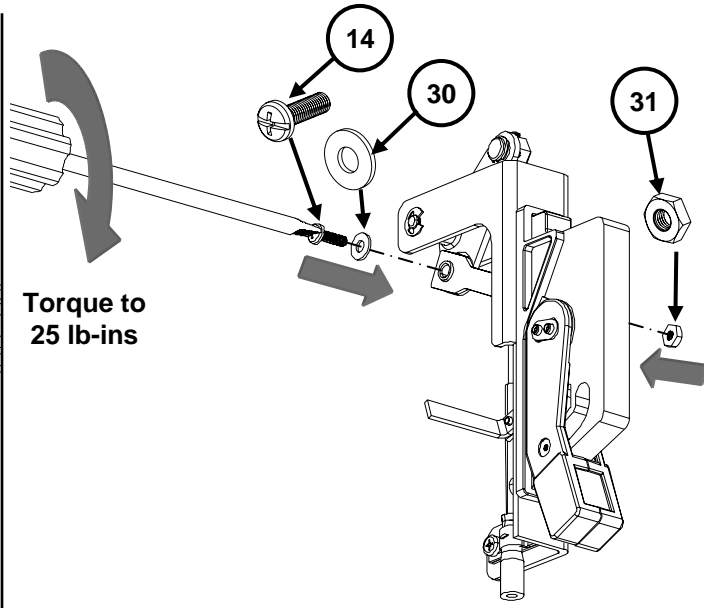
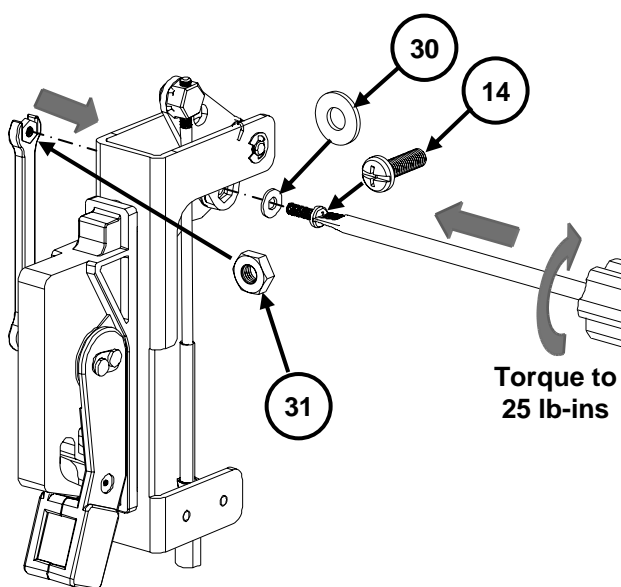
Couper l'alimentation de l'appareil et barrer avant de travailler.  
Remplacez tous les couverts avant que l'approvisionnement de pouvoir soit alimenté.

**Install Handle Link on Bellcrank Assembly**  
(Enclosure removed for clarity)

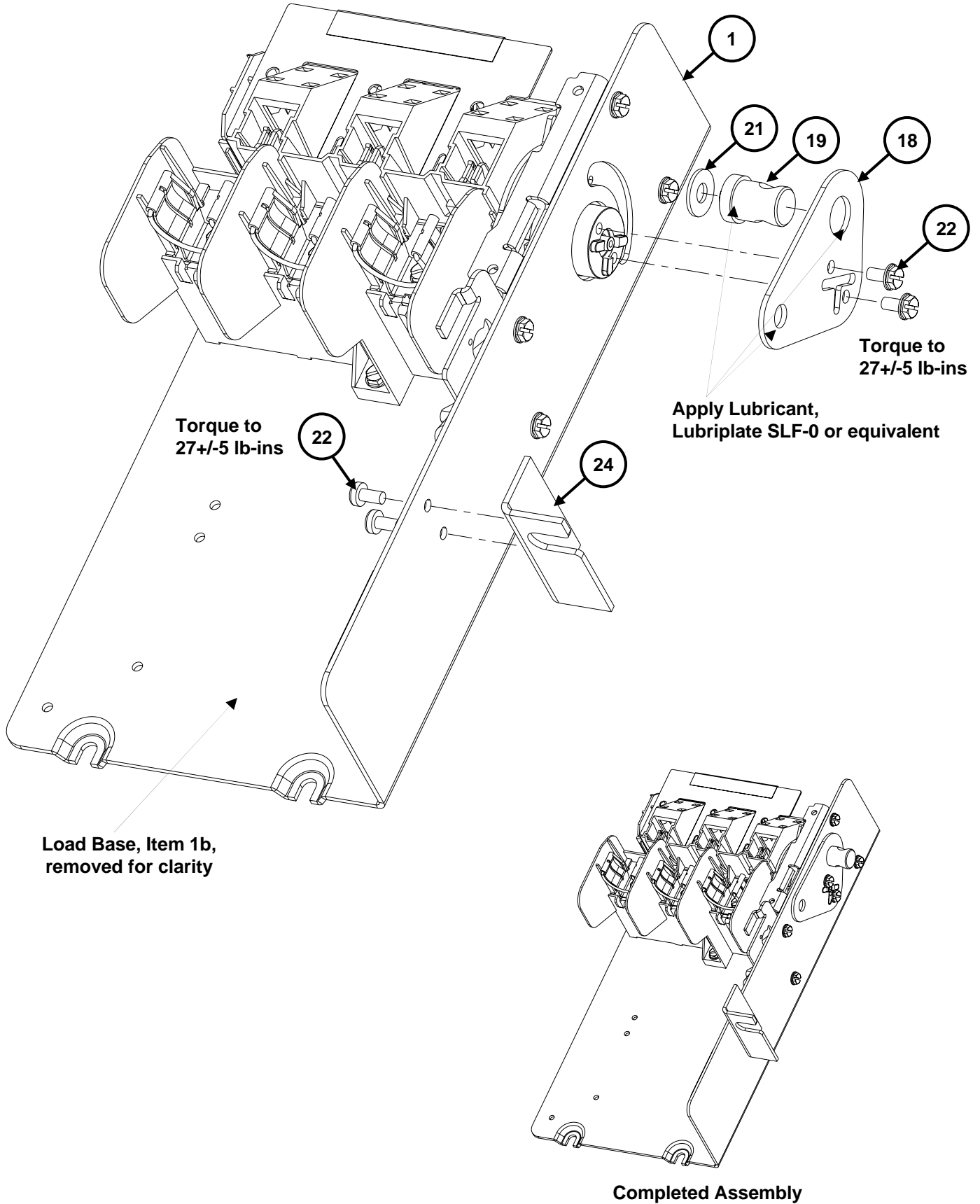


**Left Hand Side Mounting**

**Right Hand Side Mounting**



**Prepare Panel Mounted Disconnect for Installation**





**⚠ Danger**

**Hazardous Voltage.**  
**Will cause death or serious injury.**

Turn off and lock out all power supplying this device before working on this device.  
Replace all covers before power supplying this device is turned on.

**⚠ Peligro**

**Tensión peligrosa.**  
**Puede causar la muerte o lesiones graves.**

Desenergice totalmente antes de instalar o darle servicio. Reemplace todas las barreras y cubiertas antes de energizar el interruptor.

**⚠ Danger**

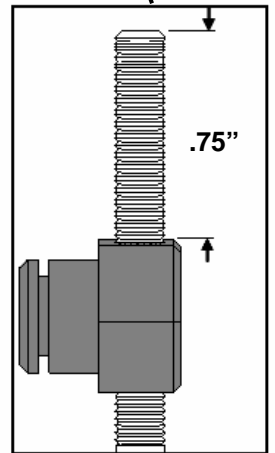
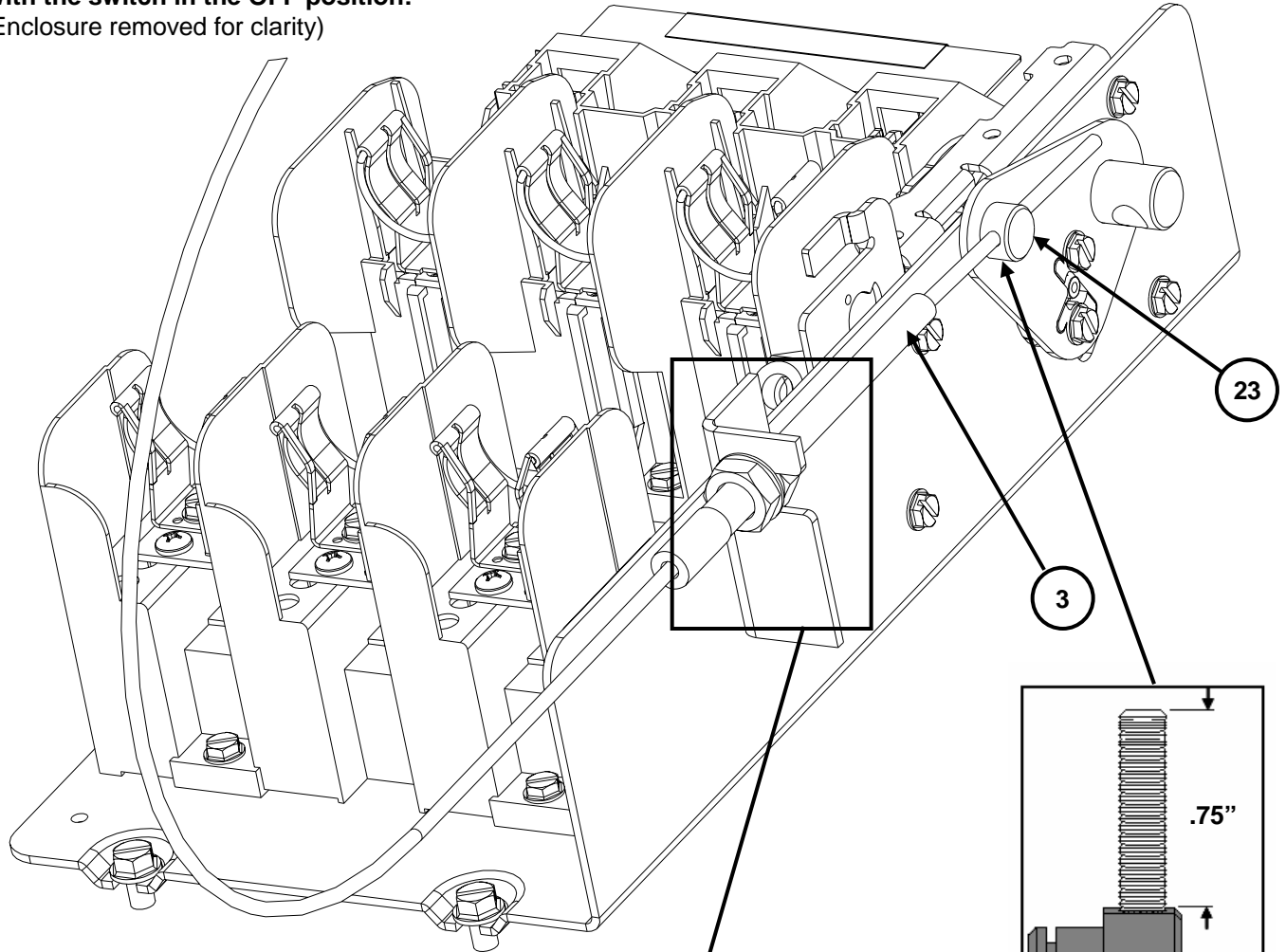
**Tension dangereuse.**  
**Danger de mort ou risque de blessures graves.**

Couper l'alimentation de l'appareil et barrer avant de travailler.  
Remplacez tous les couverts avant que l'approvisionnement de pouvoir soit alimenté.

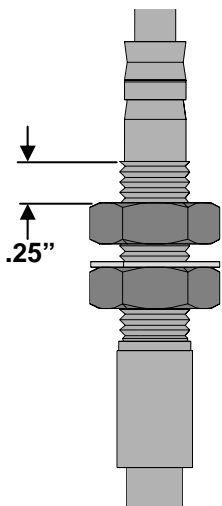
**Install Cable**

**With the switch in the OFF position:**

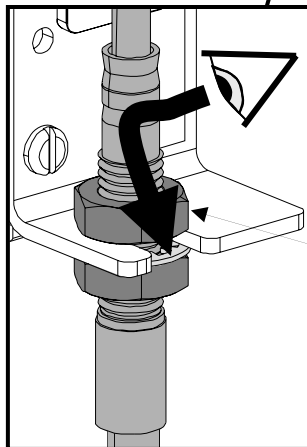
(Enclosure removed for clarity)



**Swivel Location**



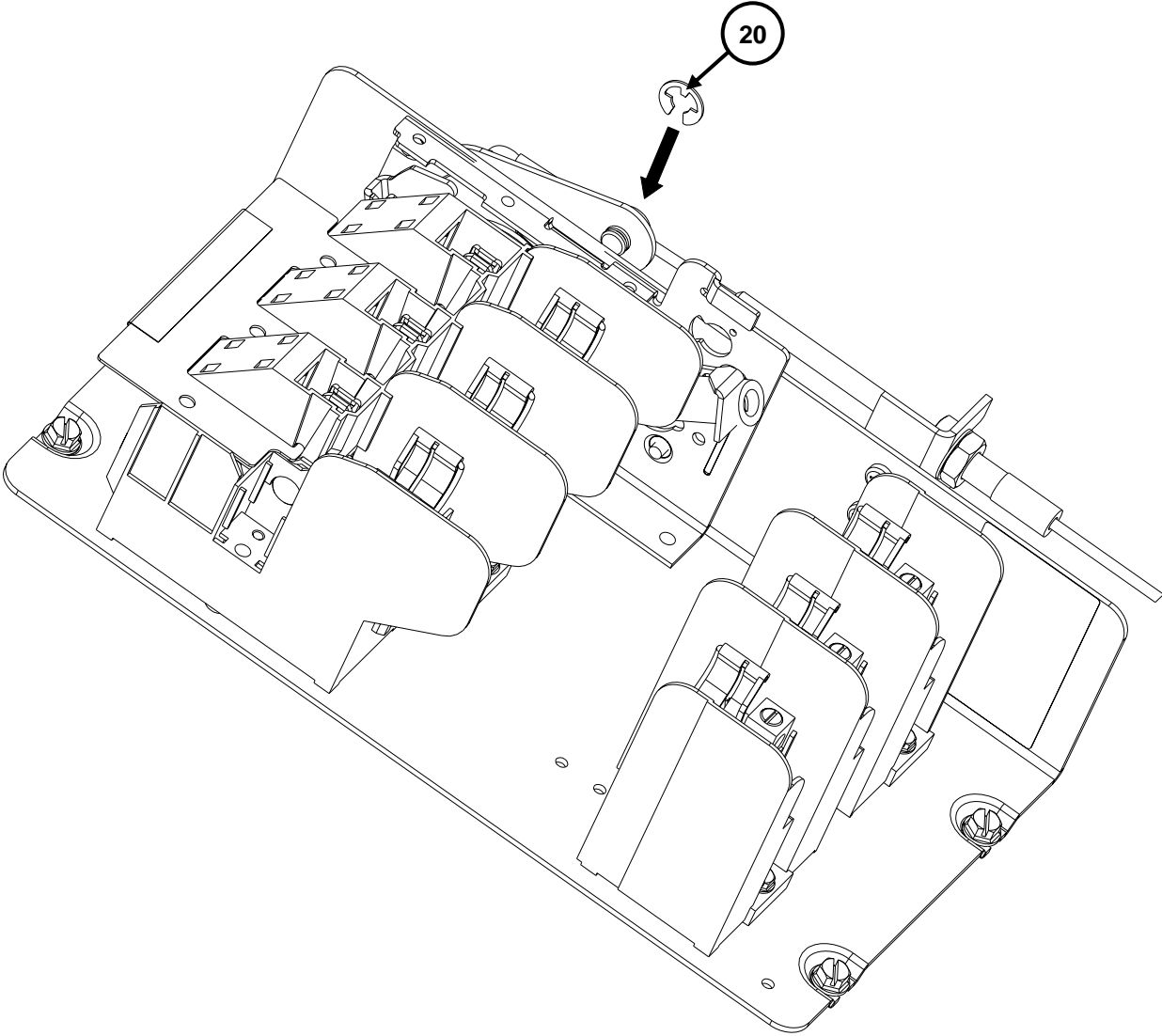
**Cable Nut Adjustment**



**Washer Location**

**Torque to 35 lb-ins**

**Install E-Ring**





**⚠ Danger**

**Hazardous Voltage.**  
Will cause death or serious injury.  
Turn off and lock out all power supplying this device before working on this device.  
Replace all covers before power supplying this device is turned on.

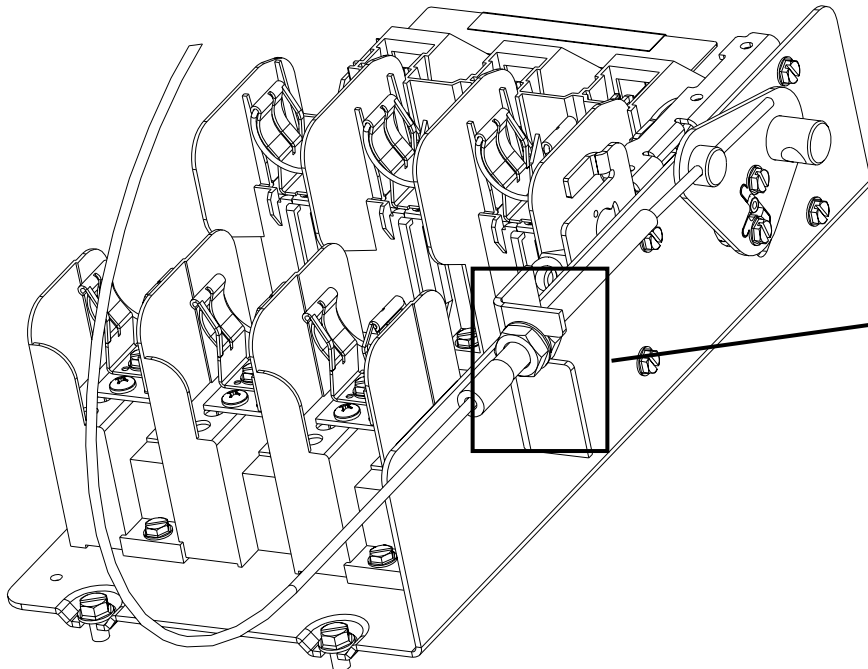
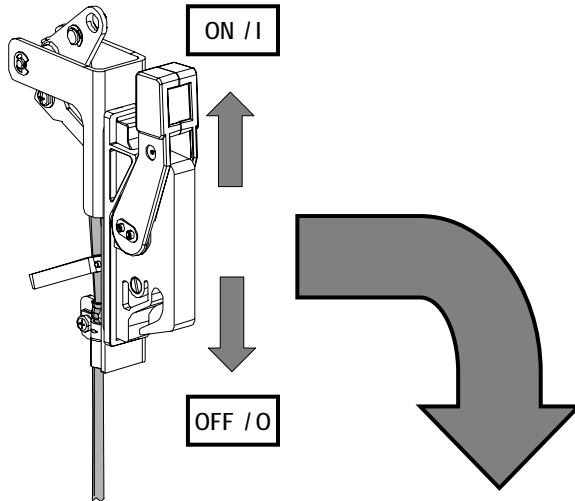
**⚠ Peligro**

**Tensión peligrosa.**  
Puede causar la muerte o lesiones graves.  
Desenergice totalmente antes de instalar o darle servicio.  
Reemplace todas las barreras y cubiertas antes de energizar el interruptor.

**⚠ Danger**

**Tension dangereuse.**  
Danger de mort ou risque de blessures graves.  
Couper l'alimentation de l'appareil et barrer avant de travailler.  
Remplacez tous les couverts avant que l'approvisionnement de pouvoir soit alimenté.

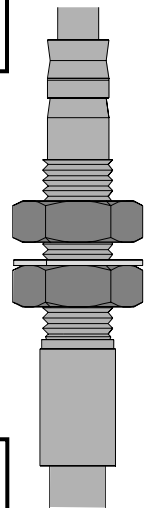
**Check Switch Operation**



• If Switch does not turn OFF, adjust nuts in this direction one turn.  
• Check operation again.



• If Switch does not turn ON, adjust nuts in this direction one turn.  
• Check operation again.





**Danger**

**Hazardous Voltage.**  
**Will cause death or serious injury.**

Turn off and lock out all power supplying this device before working on this device.  
Replace all covers before power supplying this device is turned on.



**Peligro**

**Tensión peligrosa.**  
**Puede causar la muerte o lesiones graves.**

Desenergice totalmente antes de instalar o darle servicio.  
Reemplace todas las barreras y cubiertas antes de energizar el interruptor.



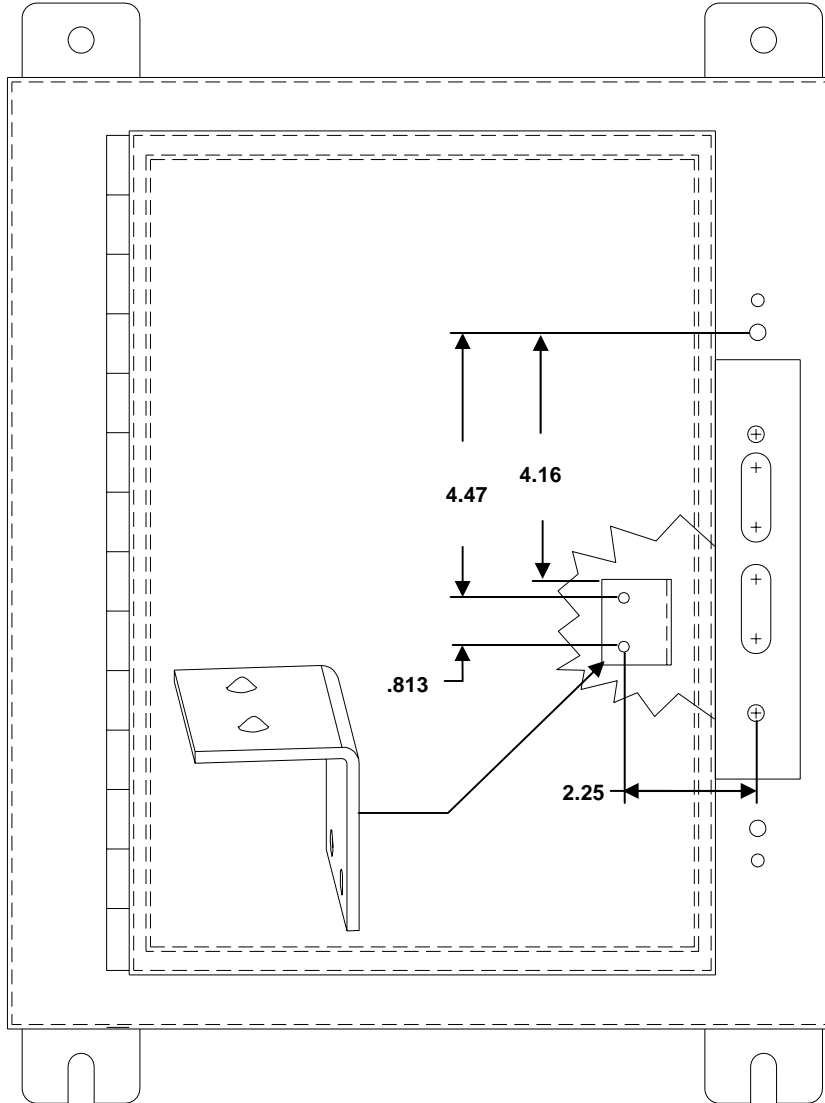
**Danger**

**Tension dangereuse.**  
**Danger de mort ou risque de blessures graves.**

Couper l'alimentation de l'appareil et barrer avant de travailler.  
Remplacez tous les couverts avant que l'approvisionnement de pouvoir soit alimenté.

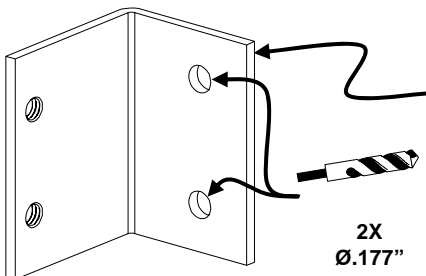
### Installation of Cover Catch

#### Step 1 - Installation of Cover Catch Mounting Bracket

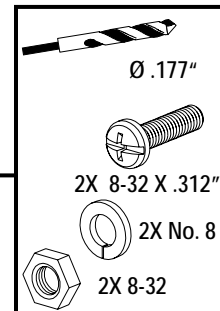


**Dimensions for Welded or Screw mounting the cover catch**

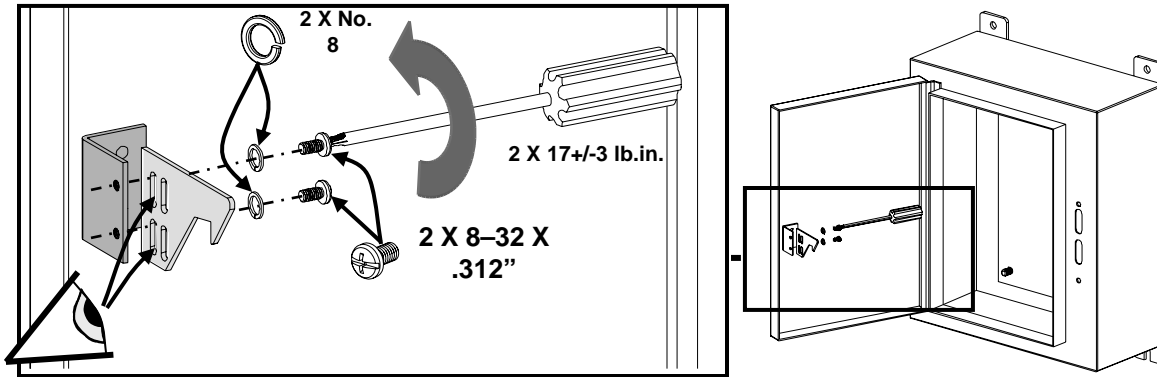
Option:



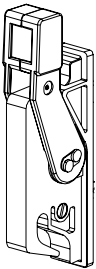
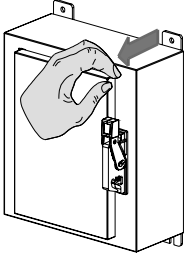
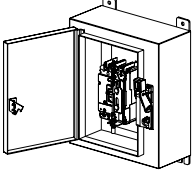
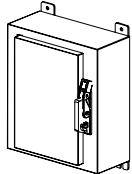
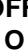
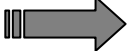



Customer supplied hardware for screw mounting option. Hardware must maintain environmental integrity ( NEMA rating ) of the enclosure.



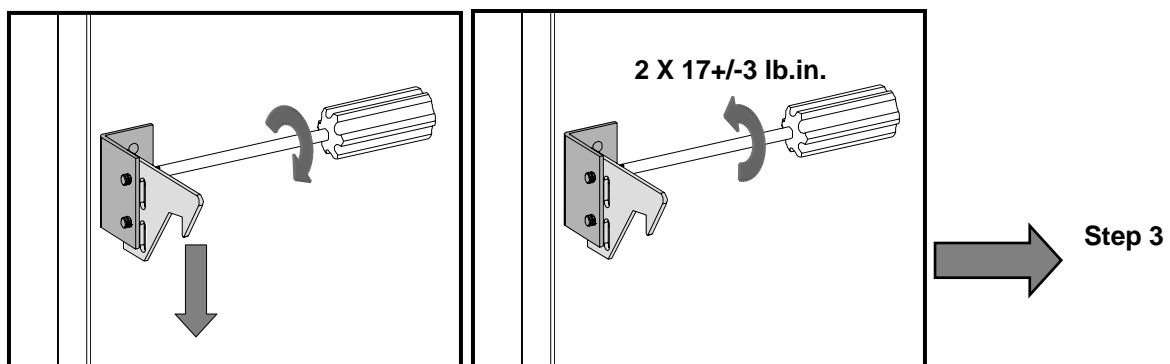
**Installation of Cover Catch**  
**Step 2 - Installation of Cover Catch**



**Step 3 - Verify operation of cover catch ( Switch ON )**

		<b>Result</b>		<b>Go To</b>	
		 <b>Open</b>	 <b>Closed</b>		<b>Step 5</b>
<b>OFF/</b> 		<b>ON</b> 	<b>Cover should remain closed with switch in ON position, 5 lbf max.</b>		
					

**Step 4 - Adjust Cover Catch Down**

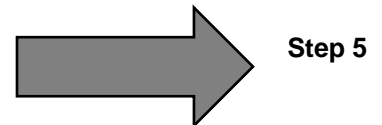
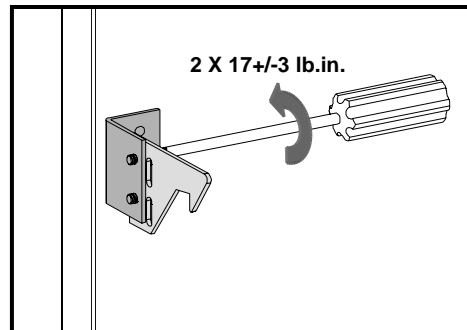
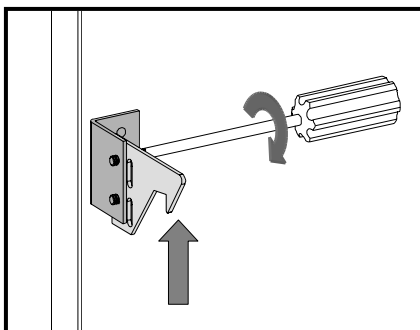
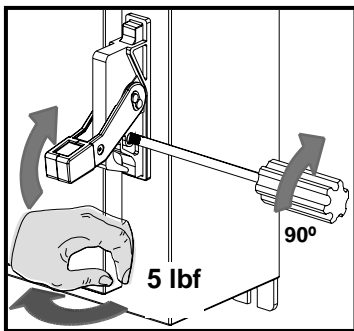


	<p><b>⚠ Danger</b>  <b>Hazardous Voltage.</b>  <b>Will cause death or serious injury.</b></p>	<p><b>⚠ Peligro</b>  <b>Tensión peligrosa.</b>  <b>Puede causar la muerte o lesiones graves.</b></p>	<p><b>⚠ Danger</b>  <b>Tension dangereuse.</b>  <b>Danger de mort ou risque de blessures graves.</b></p>
	<p>Turn off and lock out all power supplying this device before working on this device.          Replace all covers before power supplying this device is turned on.</p>	<p>Desenergice totalmente antes de instalar o darle servicio.          Reemplace todas las barreras y cubiertas antes de energizar el interruptor.</p>	<p>Couper l'alimentation de l'appareil et barrer avant de travailler.          Remplacez tous les couverts avant que l'approvisionnement de pouvoir soit alimenté.</p>

**Step 5 - Verify operation of cover catch ( Switch OFF )**

		<b>Result</b>		<b>Go To</b>
		 <b>Open</b>	 <b>Closed</b>	
<p>ON / I  OFF / O</p>	<p>Cover should open with switch in OFF position, 5 lbf max.</p>			<b>Finished / Ready</b>
				<b>Step 6</b>

**Step 6 - Adjust Cover Catch Up**



**Technical Support:**

Toll Free: 1-800-241-4453

Internet: <http://www.sea.siemens.com/power>