



TYPE T45 RACEWAY SYSTEM FOR USE WITH PANDUIT SURFACE RACEWAY ROUTING SYSTEM

Part Number(s): T45B, T45C, T45CC, T45OC, T45RA, T45IC,
T45DW, T45WR, T45EC, T45HEGB, T45WC

© Panduit Corp. 2022

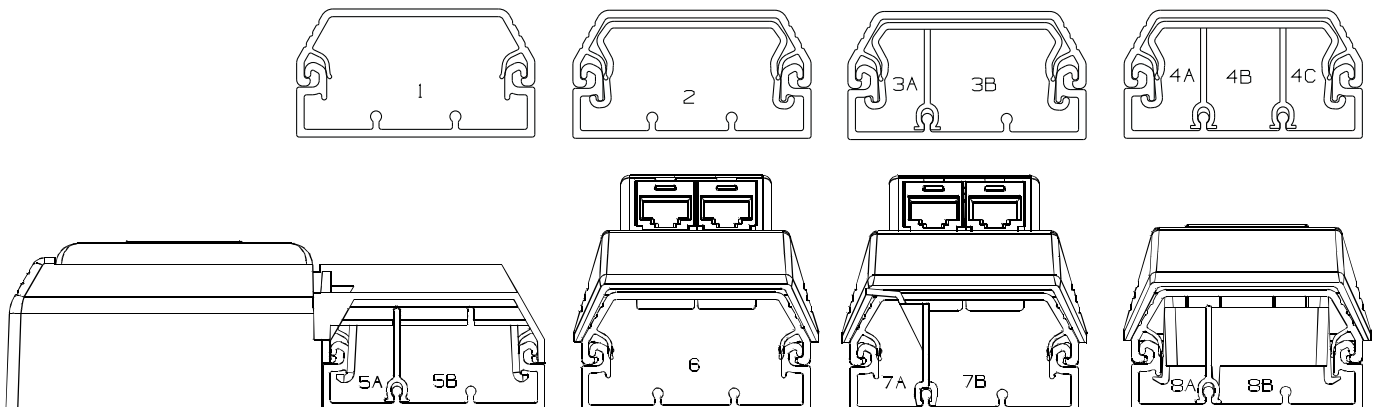
INSTALLATION INSTRUCTIONS

RW64H

RACEWAY CHANNEL WIRE CONFIGURATION	FILL AREA (IN ²)	SEE FILL #	ELECTRICAL CABLES			DATA GRADE CABLE		COAX CABLE	FIBER OPTIC CABLE
			AWG			24 AWG/UTP CM			
			14	12	10	Cat 5 4 pr.	Cat 6 4 pr.	RG6	2 STRAND
			THHN/T90						
			DIA. = 0.105	DIA. = 0.122	DIA. = 0.153	DIA. = 0.217	DIA. = 0.250	DIA. = 0.275	DIA. = 0.175
			MAX	MAX	MAX	SPEC (40%)	SPEC (40%)	SPEC (40%)	SPEC (40%)
WIRE FILL #1 T45 WITH NO DEVICES	2.13	1	36	27	25	22	17	14	35
WIRE FILL #2 T45 USING WIRE RETAINER NO DEVICES	1.72	2	36	27	25	18	14	11	28
WIRE FILL #3 POWER AND DATA USING WIRE RETAINER AND DIVIDER WALL	.44	3A	12	11	8	4	3	3	7
	1.20	3B	**	**	**	12	9	8	16
WIRE FILL #4 POWER AND DATA USING WIRE RETAINER AND DIVIDER WALL	.44	4A	12	11	8	4	3	3	7
	.68	4B	**	**	**	7	5	4	11
	.44	4C	**	**	**	4	3	3	7
WIRE FILL #5 POWER AND DATA USING THE WORKSTATION OUTLET CENTER OFFSET BOX	.41	5	12	11	8	4	3	3	6
	1.06	5B	**	**	**	11	8	7	17
WIRE FILL #6 DATA ONLY USING HINGED DATA BRACKET	2.00	6	**	**	**	21	16	13	33
WIRE FILL #7 POWER AND DATA USING HINGED DATA BRACKET WITH DIVIDER WALL INSERT	.52	7A	12	11	8	**	**	**	**
	1.20	7B	**	**	**	12	9	8	16
WIRE FILL #8 POWER AND DATA USING ELECTRICAL BRACKET AND BOX	.22	8A	9	7	4	**	**	**	**
	.50	8B	**	**	**	5	4	3	8

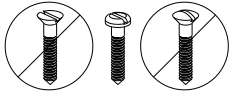
* wires not bundled

For all cable options, please see the Raceway cable fill calculator on <https://www.panduit.com/en/support/tools1/calculators-and-design-tools.html>

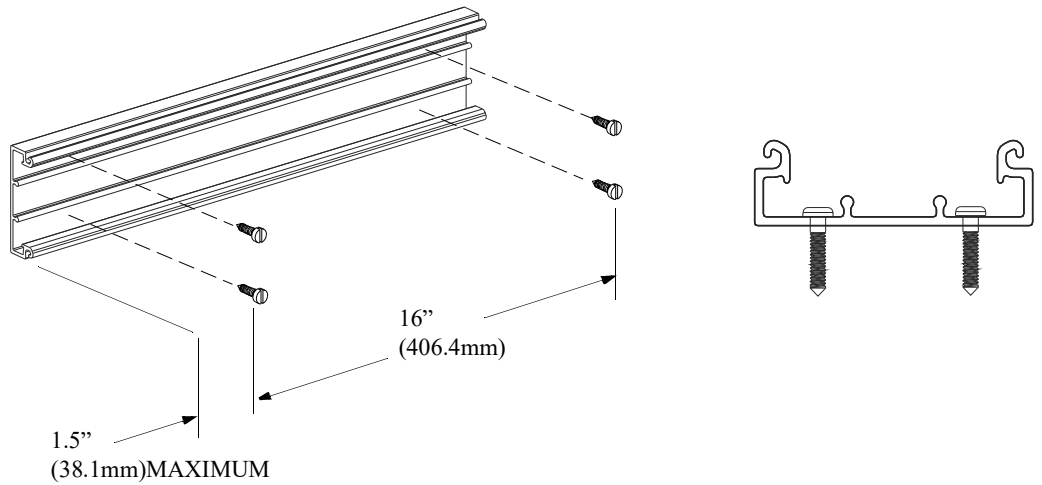


For Technical Support: www.panduit.com

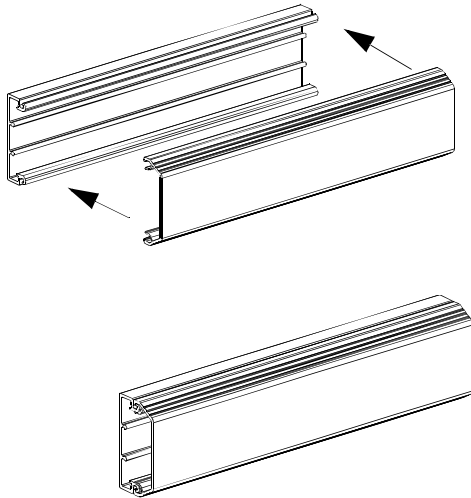
BASE & COVER



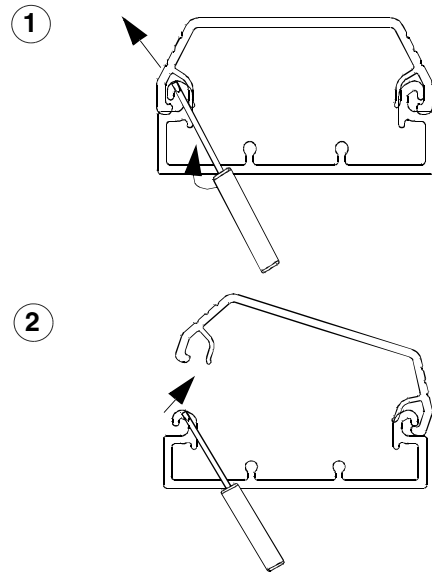
The mounting hardware used to secure the raceway shall be appropriate for the mounting surface.



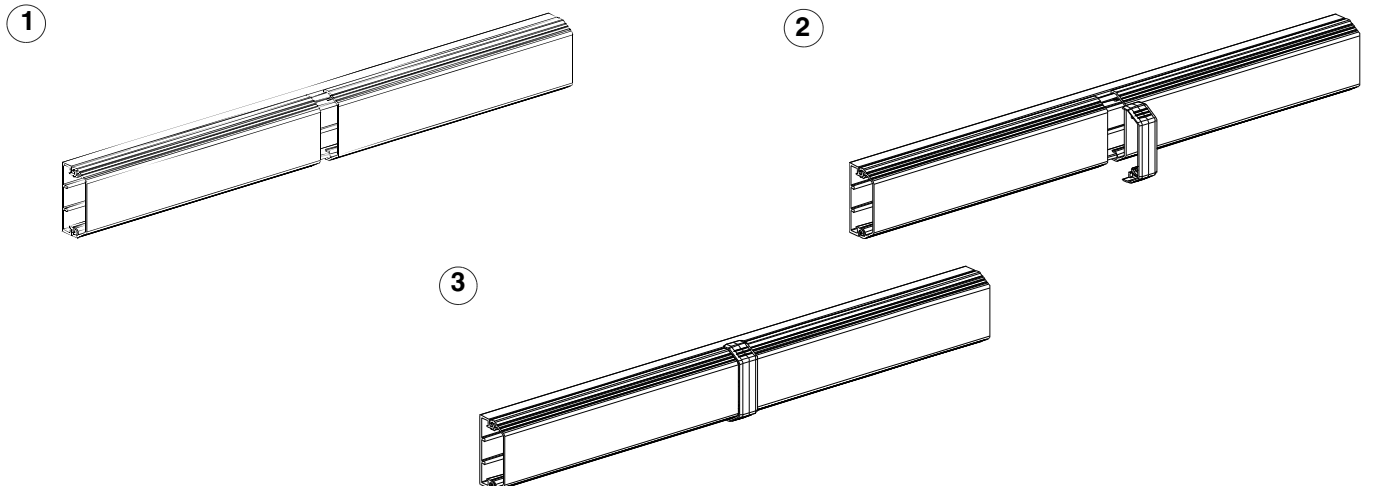
COVER INSTALLATION



COVER REMOVAL

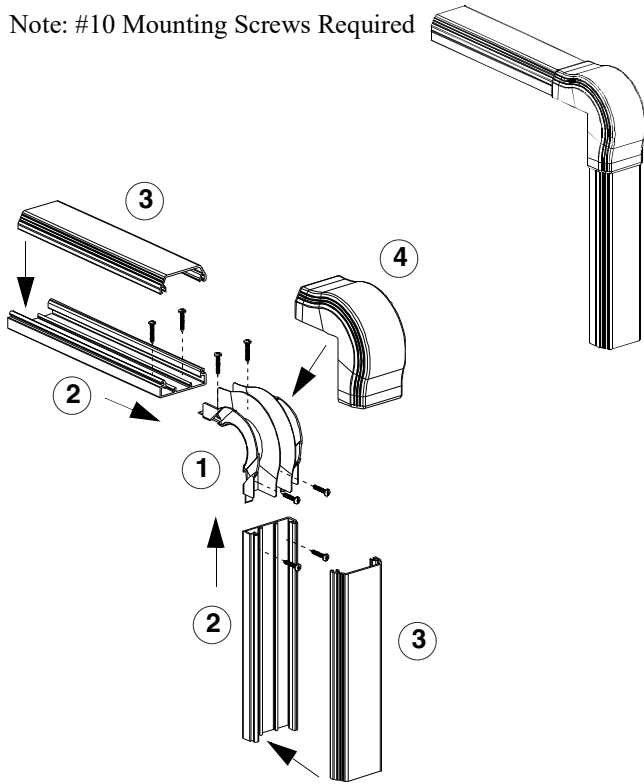


COVER COUPLER



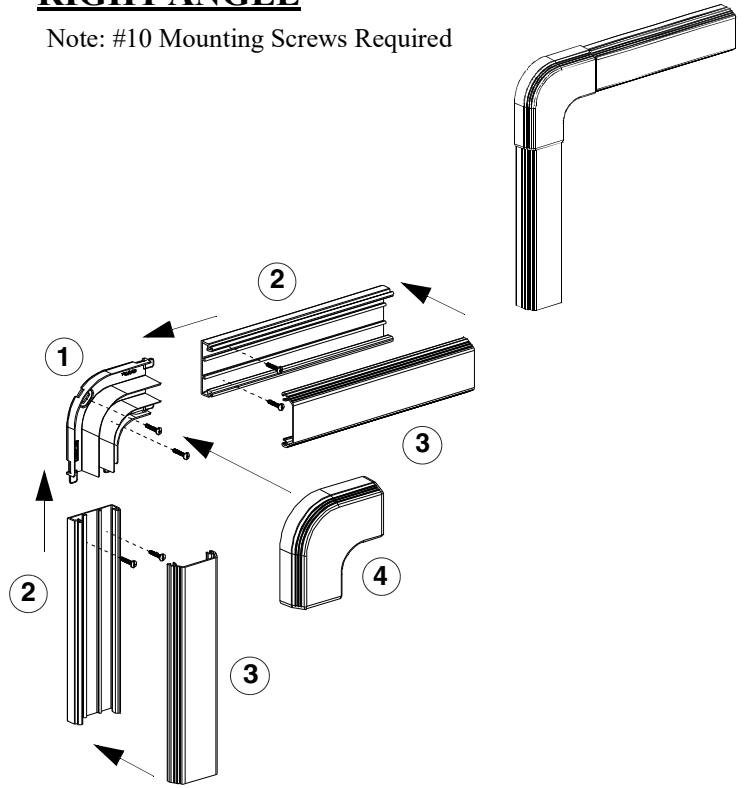
OUTSIDE CORNER

Note: #10 Mounting Screws Required



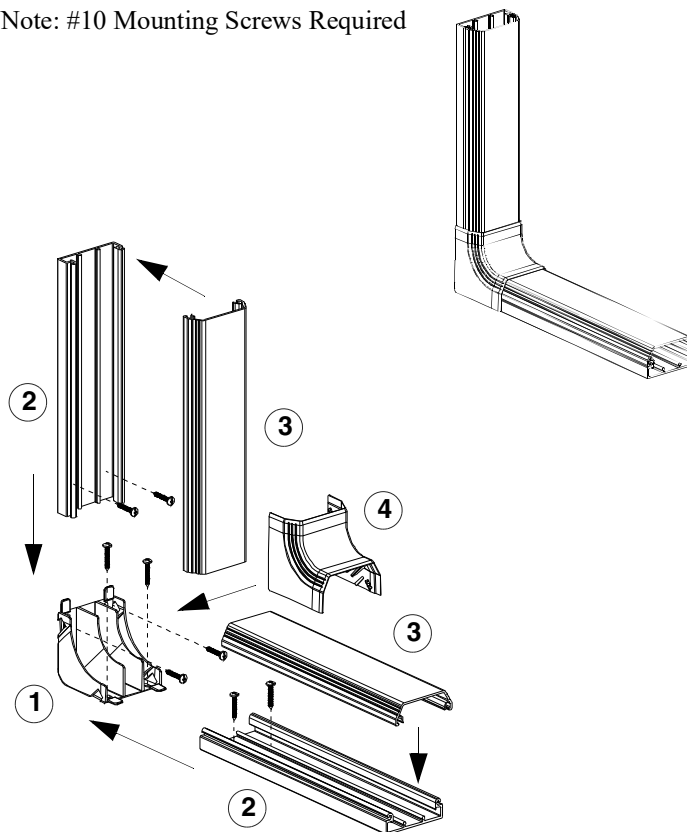
RIGHT ANGLE

Note: #10 Mounting Screws Required

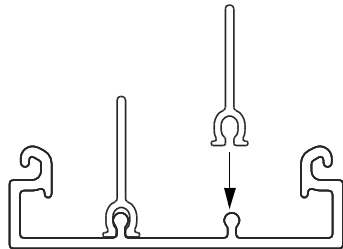
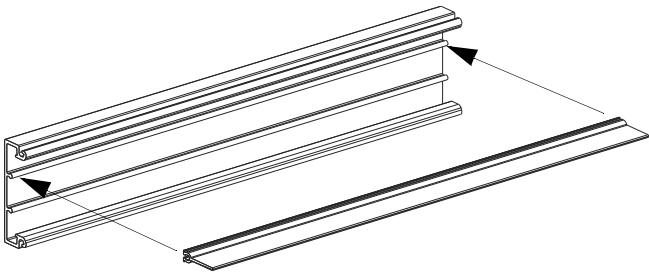


INSIDE CORNER

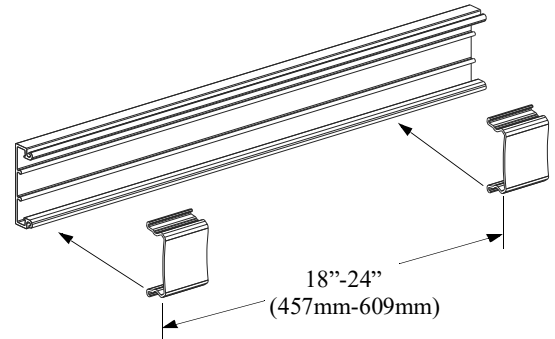
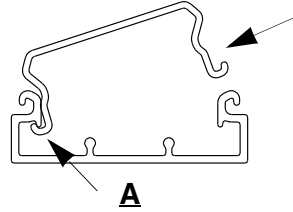
Note: #10 Mounting Screws Required



DIVIDER WALL



WIRE RETAINER



END CAP

