

WALL FAN HEATER

WF SERIES

VERSATILITY IS THE NAME OF THE GAME!

The WF is a high-capacity fan heater that's ideal for building lobbies, long corridors, stairwells, workshops, factories, and warehouses. Its electrical element is made of high-quality nichrome assuring an immediate surge of hot air. The various modes of wall installation make the WF heater one of the most versatile fan heaters on the market: it can be surface mounted or recessed, with a variety of models and heating capacities to choose from.



NEW GRILLE WITH ROUNDED SIDES

DURABLE AND STYLISH

WIDE RANGE OF MODELS & HEATING CAPACITIES

INCLUDING A 4800 W SINGLE MODEL

NICHROME ELEMENT

ASSURING INSTANT HEAT

NEW DISCONNECT SWITCH

OPTIONAL

IDEAL FOR:
LOBBY, CORRIDOR, FACTORY, WAREHOUSE, STAIRWELL

COLOURS

- standard: white, silica white, silver
- luxurious finish: stainless steel

FINISH

epoxy-polyester powdercoat or stainless steel

MANUFACTURING

- 20-gauge steel cabinet and 18-gauge steel grille
- top air intake with bottom air discharge
- quiet helicoidal fan: single unit 1 x 160 CFM - double unit 2 x 160 CFM - triple unit 3 x 160 CFM
- thermal protection with automatic reset
- totally enclosed, permanently lubricated motor

ELEMENT

high quality nichrome element producing instant heat

CONTROL

connection of multiple units to the same thermostat is possible with a relay kit without transformer (optional) and an external transformer (not provided)

INSTALLATION

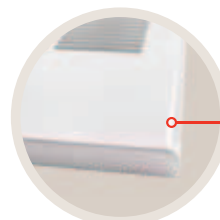
- wall mounted
- recessed or surface mounted with surface adapter (optional)

ACCESSORIES

PRODUCT	DESCRIPTION
WFT1	built-in single pole thermostat [120 V-600 V]
WFT2	built-in double pole thermostat [120 V-600 V]
WFA1*	surface adapter (single unit)
WFA2*	surface adapter (double unit)
WFA3*	surface adapter (triple unit)
WFA1SS	stainless steel surface adapter (single unit)
WFA2SS	stainless steel surface adapter (double unit)
WFA3SS	stainless steel surface adapter (triple unit)
WFDIS-30*	disconnect switch kit 600 V/30 A, 2 poles
WFDIS-40*	disconnect switch kit 600 V/40 A, 2 poles/3 poles
WFDIS-60*	disconnect switch kit 600 V/60 A, 2 poles/3 poles
WFC24RX*	relay kit without transformer 24 V

* Add W for white, SW for silica white or S for silver

* Factory installation



ROUNDED SIDES



TECHNICAL SPECIFICATIONS

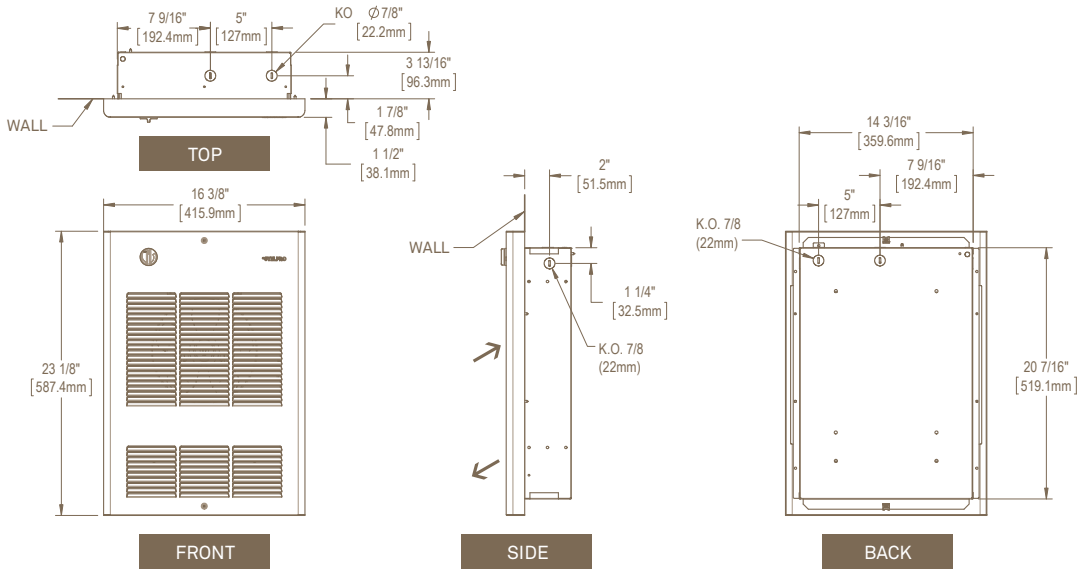
WITHOUT CONTROL		BUILT-IN THERMOSTAT		240 V CONTROL		24 V CONTROL		POWER	VOLTAGE	WEIGHT	MODEL	
CODE		CODE		CODE	CODE			WATTS	VOLTS	KG	LB	UNIT
WF1508		WF1508T		WF1508C	WF1508C24			1500	208	9	20	SINGLE
WF1502		WF1502T		WF1502C	WF1502C24			1500/1125	240/208	9	20	SINGLE
WF1507		WF1507T		WF1507C	WF1507C24			1500	277	9	20	SINGLE
WF1503		WF1503T		WF1503C	WF1503C24			1500	347	9	20	SINGLE
---		WF1505T		WF1505C	WF1505C24			1500	480	9	20	SINGLE
---		WF1506T		WF1506C	WF1506C24			1500	600	10	22	SINGLE
WF2008		WF2008T		WF2008C	WF2008C24			2000	208	9	20	SINGLE
WF2002		WF2002T		WF2002C	WF2002C24			2000/1500	240/208	9	20	SINGLE
WF2007		WF2007T		WF2007C	WF2007C24			2000	277	9	20	SINGLE
WF2003		WF2003T		WF2003C	WF2003C24			2000	347	9	20	SINGLE
---		WF2005T		WF2005C	WF2005C24			2000	480	9	20	SINGLE
---		WF2006T		WF2006C	WF2006C24			2000	600	10	22	SINGLE
WF3008		WF3008T		WF3008C	WF3008C24			3000	208	9	20	SINGLE
WF3002		WF3002T		WF3002C	WF3002C24			3000/2250	240/208	9	20	SINGLE
WF3007		WF3007T		WF3007C	WF3007C24			3000	277	9	20	SINGLE
WF3003		WF3003T		WF3003C	WF3003C24			3000	347	9	20	SINGLE
---		WF3005T		WF3005C	WF3005C24			3000	480	9	20	SINGLE
---		WF3006T		WF3006C	WF3006C24			3000	600	10	22	SINGLE
WF4008		WF4008T		WF4008C	WF4008C24			4000	208	9	20	SINGLE
WF4002		WF4002T		WF4002C	WF4002C24			4000/3000	240/208	9	20	SINGLE
WF4007		WF4007T		WF4007C	WF4007C24			4000	277	9	20	SINGLE
WF4003		WF4003T		WF4003C	WF4003C24			4000	347	9	20	SINGLE
---		WF4005T		WF4005C	WF4005C24			4000	480	9	20	SINGLE
---		WF4006T		WF4006C	WF4006C24			4000	600	10	22	SINGLE
WF4808		WF4808T		WF4808C	WF4808C24			4800	208	9	20	SINGLE
WF4802		WF4802T		WF4802C	WF4802C24			4800/3600	240/208	9	20	SINGLE
WF4807		WF4807T		WF4807C	WF4807C24			4800	277	9	20	SINGLE
WF4803		WF4803T		WF4803C	WF4803C24			4800	347	9	20	SINGLE
---		WF4805T		WF4805C	WF4805C24			4800	480	9	20	SINGLE
---		WF4806T		WF4806C	WF4806C24			4800	600	10	22	SINGLE
---		WF6008CT		WF6008C	WF6008C24			6000	208	18	40	DOUBLE
---		WF6002T		WF6002C	WF6002C24			6000/4500	240/208	18	40	DOUBLE
---		WF6007T		WF6007C	WF6007C24			6000	277	18	40	DOUBLE
---		WF6003T		WF6003C	WF6003C24			6000	347	18	40	DOUBLE
---		WF6005T		WF6005C	WF6005C24			6000	480	20	44	DOUBLE
---		WF6006T		WF6006C	WF6006C24			6000	600	20	44	DOUBLE
---		WF60083CT*		WF60083C*	WF60083C24*			6000	208	36	80	TRIPLE
---		WF60053CT*		WF60053C*	WF60053C24*			6000	480	36	80	TRIPLE
---		WF60063CT*		WF60063C*	WF60063C24*			6000	600	36	80	TRIPLE
---		WF8008CT		WF8008C	WF8008C24			8000	208	18	40	DOUBLE
---		WF8002CT		WF8002C	WF8002C24			8000/6000	240/208	18	40	DOUBLE
---		WF8007CT		WF8007C	WF8007C24			8000	277	18	40	DOUBLE
---		WF8003CT		WF8003C	WF8003C24			8000	347	18	40	DOUBLE
---		WF8005CT		WF8005C	WF8005C24			8000	480	20	44	DOUBLE
---		WF8006CT		WF8006C	WF8006C24			8000	600	20	44	DOUBLE
---		WF90083CT*		WF90083C*	WF90083C24*			9000	208	36	80	TRIPLE
---		WF90053CT*		WF90053C*	WF90053C24*			9000	480	36	80	TRIPLE
---		WF90063CT*		WF90063C*	WF90063C24*			9000	600	36	80	TRIPLE
---		WF12008CT		WF12008C	WF12008C24			12000	208	36	80	TRIPLE
---		WF12002CT		WF12002C	WF12002C24			12000/9000	240/208	36	80	TRIPLE
---		WF12007CT		WF12007C	WF12007C24			12000	277	36	80	TRIPLE
---		WF12003CT		WF12003C	WF12003C24			12000	347	36	80	TRIPLE
---		WF12005CT		WF12005C	WF12005C24			12000	480	36	80	TRIPLE
---		WF12006CT		WF12006C	WF12006C24			12000	600	36	80	TRIPLE
---		WF120083CT*		WF120083C*	WF120083C24*			12000	208	36	80	TRIPLE
---		WF120053CT*		WF120053C*	WF120053C24*			12000	480	36	80	TRIPLE
---		WF120063CT*		WF120063C*	WF120063C24*			12000	600	36	80	TRIPLE

Add W for white, SW for silica white, S for silver or SS for stainless steel

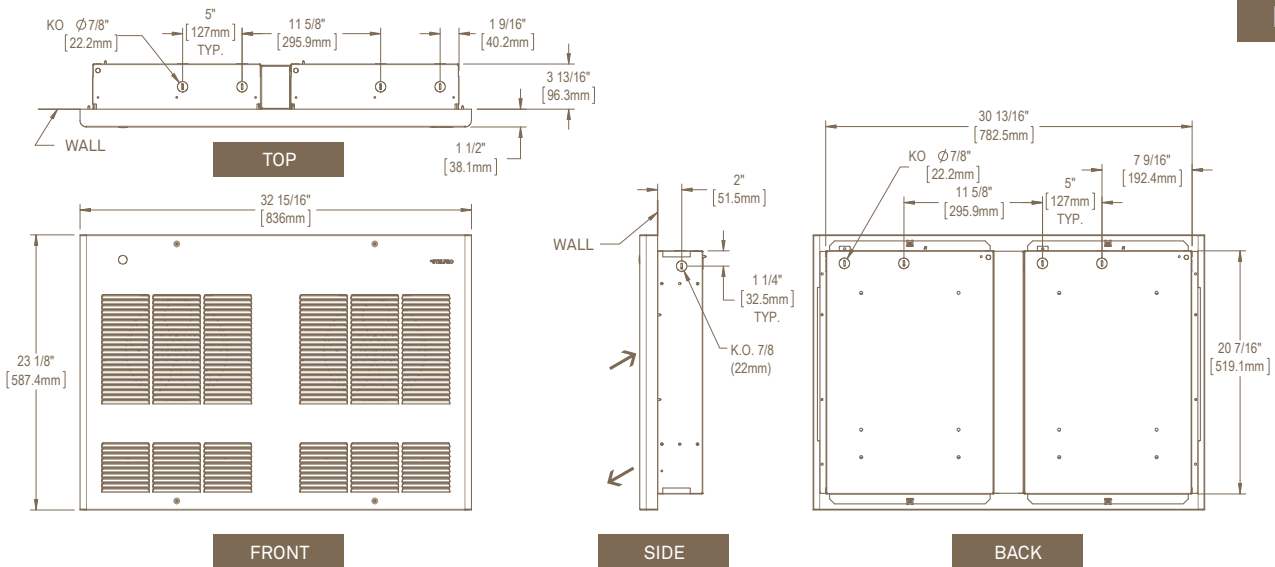
THROW DISTANCE AND HEAT RISE

UNITS	THROW DISTANCE		HEAT RISE		
	KW	M	FT.	°C	°F
1.5		4.1	13'7"	30	53
2		4.1	13'7"	42	75
3		4.1	13'7"	61	110
4		4.1	13'7"	74	133
4.8		4.1	13'7"	93	167
6		4.1	13'7"	61	110
8		4.1	13'7"	74	133
9		4.1	13'7"	61	110
12		4.1	13'7"	74	133

SINGLE UNIT



DOUBLE UNIT



TRIPLE UNIT

