

# CEILING FAN HEATER

DR SERIES



## THE ONE AND ONLY DRAGON™!

The hallmark of the DRAGON™ is that it recycles residual warm air that has accumulated at the ceiling, mixing it with the cooler air below. The result? Uniform air temperature and energy savings. The DRAGON™ offers an output of 2000 W to 10 000 W, depending on the model, and offers voltage ranging from 208V to 600 V. This unit can be ceiling surface mounted or ceiling recessed, suspended at a minimum of 8 feet from the floor. The DRAGON™ is well-suited for building entryways, stairwells, warehouses, garages, workshops, and hallways. Nothing beats the power of the DRAGON™!



### HIGH-EFFICIENCY AIR RECYCLING AND RECOVERY

### CHOICE OF 2000 W TO 10 000 W

### NICHROME ELEMENT

OFFERING STATE-OF-THE ART EFFICIENCY

### SURFACE MOUNTED OR RECESSED INSTALLATION

### OPTIONAL OFS MODEL TO CONTROL THE FAN-ONLY MODE WITH A WALL SWITCH

### IDEAL FOR:

BUILDING ENTRYWAY, WAREHOUSE, STAIRWELL, GARAGE, WORKSHOP

### COLOURS

- standard: white, silica white
- optional: almond, black, textured charcoal, silver, clear anodized (paint), nickel, champagne, light bronze, dark brown (10% surcharge)

### FINISH

epoxy-polyester powdercoat

### MANUFACTURING

- 20-gauge steel cabinet and 14-gauge steel grille
- quiet helicoidal fan
- thermal protection with automatic reset
- totally enclosed, permanently lubricated motor

### ELEMENT

nichrome element produces instant heat

### CONTROL

- wall thermostat (not included) – the use of an electronic thermostat is strongly recommended
- fan-only mode for continuous air circulation, controlled by built-in selection switch
- fan-only mode available for use with wall mounted switch (optional OFS model, wall switch not provided)
- heating-mode, confirmed by pilot light when in function
- connection of multiple units to the same thermostat is possible with a relay kit without transformer (optional) and an external transformer (not provided)

### INSTALLATION

- ceiling recessed in a T-bar (DRR model)
- ceiling surface mounted with bracket to support unit during wiring (DRI & DRII models) (included)
- install at a minimum distance from adjacent or surrounding walls: 12 in. (DRR or DRI models); 24 in. (DRII models)
- mounting heights: 8 ft. (2 kW or 3 kW units); 10 ft. (4 kW or 5 kW units); 12 ft. (7.5 kW or 10 kW units)

## ACCESSORIES

PRODUCT	DESCRIPTION
DRT1	built-in tamper-proof single pole thermostat (DRR, DRI or DRII models)
DRITBA1*	T-bar adapter (DRI models)
DRIITBA1*	T-bar adapter (DRII models)
DRC24RX*	relay kit without transformer 24 V (DRII or DRR models)
DRIC24RX*	relay kit without transformer 24 V (DRI models)

\* Add W for white or SW for silica white

\* Factory installed



# TECHNICAL SPECIFICATIONS (DRR MODELS)

WITHOUT CONTROL		BUILT-IN THERMOSTAT		240 V CONTROL		24 V CONTROL		POWER	VOLTAGE	FLOW	WEIGHT	
CODE		CODE		CODE		CODE		WATTS	VOLTS	CFM	KG	LB
DRR0281		DRR0281T		DRR0281C		DRR0281C24		2000	208	250	13.6	30
---		DRR0283CT*		DRR0283C*		DRR0283C24*		2000	208	250	13.6	30
DRR0221		DRR0221T		DRR0221C		DRR0221C24		2000	240	250	13.6	30
---		DRR0271CT		DRR0271C		DRR0271C24		2000	277	250	13.6	30
---		DRR0231CT		DRR0231C		DRR0231C24		2000	347	250	13.6	30
---		DRR0251CT		DRR0251C		DRR0251C24		2000	480	250	13.6	30
---		DRR0253CT*		DRR0253C*		DRR0253C24*		2000	480	250	13.6	30
---		DRR0261CT		DRR0261C		DRR0261C24		2000	600	250	13.6	30
---		DRR0263CT*		DRR0263C*		DRR0263C24*		2000	600	250	13.6	30
DRR0381		DRR0381T		DRR0381C		DRR0381C24		3000	208	250	14.7	32.5
---		DRR0383CT*		DRR0383C*		DRR0383C24*		3000	208	250	14.7	32.5
DRR0321		DRR0321T		DRR0321C		DRR0321C24		3000	240	250	14.7	32.5
---		DRR0371CT		DRR0371C		DRR0371C24		3000	277	250	14.7	32.5
---		DRR0331CT		DRR0331C		DRR0331C24		3000	347	250	14.7	32.5
---		DRR0351CT		DRR0351C		DRR0351C24		3000	480	250	14.7	32.5
---		DRR0353CT*		DRR0353C*		DRR0353C24*		3000	480	250	14.7	32.5
---		DRR0361CT		DRR0361C		DRR0361C24		3000	600	250	14.7	32.5
---		DRR0363CT*		DRR0363C*		DRR0363C24*		3000	600	250	14.7	32.5
DRR0481		DRR0481T		DRR0481C		DRR0481C24		4000	208	450	14.7	32.5
---		DRR0483CT*		DRR0483C*		DRR0483C24*		4000	208	450	14.7	32.5
DRR0421		DRR0421T		DRR0421C		DRR0421C24		4000	240	450	14.7	32.5
---		DRR0471CT		DRR0471C		DRR0471C24		4000	277	450	14.7	32.5
---		DRR0431CT		DRR0431C		DRR0431C24		4000	347	450	14.7	32.5
---		DRR0451CT		DRR0451C		DRR0451C24		4000	480	450	14.7	32.5
---		DRR0453CT*		DRR0453C*		DRR0453C24*		4000	480	450	14.7	32.5
---		DRR0461CT		DRR0461C		DRR0461C24		4000	600	450	14.7	32.5
---		DRR0463CT*		DRR0463C*		DRR0463C24*		4000	600	450	14.7	32.5
---		DRR0581T		DRR0581C		DRR0581C24		5000	208	450	15.4	34
---		DRR0583CT*		DRR0583C*		DRR0583C24*		5000	208	450	15.4	34
DRR0521		DRR0521T		DRR0521C		DRR0521C24		5000	240	450	15.4	34
---		DRR0571CT		DRR0571C		DRR0571C24		5000	277	450	15.4	34
---		DRR0531CT		DRR0531C		DRR0531C24		5000	347	450	15.4	34
---		DRR0551CT		DRR0551C		DRR0551C24		5000	480	450	15.4	34
---		DRR0553CT*		DRR0553C*		DRR0553C24*		5000	480	450	15.4	34
---		DRR0561CT		DRR0561C		DRR0561C24		5000	600	450	15.4	34
---		DRR0563CT*		DRR0563C*		DRR0563C24*		5000	600	450	15.4	34

Add W for white or SW for silica white  
 . Add OFS to control fan-only mode with a wall switch (not provided)  
 \*Three-phase unit  
 --- not available



## DRR MODEL (RECESSED)

A REVOLUTIONARY METHOD OF HEATING, ELIMINATING THE NECESSITY OF THE TRADITIONAL CEILING FAN. The Dragon recuperates the warm air that would otherwise accumulate at the ceiling and recirculates it throughout the room.



## DRII MODEL (SURFACE MOUNTED)

(FOLLOWING PAGE)

A UNIQUE SOURCE OF HEAT OFFERING PERFORMANCE, STYLE, COMFORT AND ECONOMY! Ideal for garages, commercial entrances, factories and warehouses

# TECHNICAL SPECIFICATIONS (DRI AND DRII MODELS)

WITHOUT CONTROL		BUILT-IN THERMOSTAT		240 V CONTROL		24 V CONTROL		POWER	VOLTAGE	FLOW	WEIGHT	
CODE	CODE	CODE	CODE	CODE	CODE	WATTS	VOLTS	CFM	KG	LB		
DRI0281	DRI0281T	---	---	DRII0281C	DRI0281C24	2000	208	250	7.2	16		
DRI0221	DRI0221T	---	---	DRII0283C*	DRI0221C24	2000	240	250	7.2	16		
DRI0381	DRI0381T	---	---	DRII0221C	DRI0381C24	3000	208	250	7.2	16		
DRI0321	DRI0321T	---	---	DRII0271C	DRI0321C24	3000	240	250	7.2	16		
DRI0481	DRI0481T	---	---	DRII0231C	DRI0481C24	4000	208	450	7.2	16		
DRI0421	DRI0421T	---	---	DRII0251C	DRI0421C24	4000	240	450	7.2	16		
---	DRI0581T	---	---	DRII0261C	DRI0581C24	5000	208	450	7.2	16		
DRI0521	DRI0521T	---	---	DRII0263C*	DRI0521C24	5000	240	450	7.2	16		
---	DRII0281T	DRII0281C	---	DRII0281C24	---	2000	208	450	20.4	45		
---	DRII0283CT*	DRII0283C*	---	DRII0283C24*	---	2000	208	450	20.4	45		
---	DRII0221T	DRII0221C	---	DRII0221C24	---	2000	240	450	20.4	45		
---	DRII0271CT	DRII0271C	---	DRII0271C24	---	2000	277	450	20.4	45		
---	DRII0231CT	DRII0231C	---	DRII0231C24	---	2000	347	450	20.4	45		
---	DRII0251CT	DRII0251C	---	DRII0251C24	---	2000	480	450	20.4	45		
---	DRII0253CT*	DRII0253C*	---	DRII0253C24*	---	2000	480	450	20.4	45		
---	DRII0261CT	DRII0261C	---	DRII0261C24	---	2000	600	450	20.4	45		
---	DRII0263CT*	DRII0263C*	---	DRII0263C24*	---	2000	600	450	20.4	45		
---	DRII0381T	DRII0381C	---	DRII0381C24	---	3000	208	450	20.4	45		
---	DRII0383CT*	DRII0383C*	---	DRII0383C24*	---	3000	208	450	20.4	45		
---	DRII0321T	DRII0321C	---	DRII0321C24	---	3000	240	450	20.4	45		
---	DRII0371CT	DRII0371C	---	DRII0371C24	---	3000	277	450	20.4	45		
---	DRII0331CT	DRII0331C	---	DRII0331C24	---	3000	347	450	20.4	45		
---	DRII0351CT	DRII0351C	---	DRII0351C24	---	3000	480	450	20.4	45		
---	DRII0353CT*	DRII0353C*	---	DRII0353C24*	---	3000	480	450	20.4	45		
---	DRII0361CT	DRII0361C	---	DRII0361C24	---	3000	600	450	20.4	45		
---	DRII0363CT*	DRII0363C*	---	DRII0363C24*	---	3000	600	450	20.4	45		
---	DRII0481T	DRII0481C	---	DRII0481C24	---	4000	208	450	20.4	45		
---	DRII0483CT*	DRII0483C*	---	DRII0483C24*	---	4000	208	450	20.4	45		
---	DRII0421T	DRII0421C	---	DRII0421C24	---	4000	240	450	20.4	45		
---	DRII0471CT	DRII0471C	---	DRII0471C24	---	4000	277	450	20.4	45		
---	DRII0431CT	DRII0431C	---	DRII0431C24	---	4000	347	450	20.4	45		
---	DRII0451CT	DRII0451C	---	DRII0451C24	---	4000	480	450	20.4	45		
---	DRII0453CT*	DRII0453C*	---	DRII0453C24*	---	4000	480	450	20.4	45		
---	DRII0461CT	DRII0461C	---	DRII0461C24	---	4000	600	450	20.4	45		
---	DRII0463CT*	DRII0463C*	---	DRII0463C24*	---	4000	600	450	20.4	45		
---	DRII0581T	DRII0581C	---	DRII0581C24	---	5000	208	450	20.4	45		
---	DRII0583CT*	DRII0583C*	---	DRII0583C24*	---	5000	208	450	20.4	45		
---	DRII0521T	DRII0521C	---	DRII0521C24	---	5000	240	450	20.4	45		
---	DRII0571CT	DRII0571C	---	DRII0571C24	---	5000	277	450	20.4	45		
---	DRII0531CT	DRII0531C	---	DRII0531C24	---	5000	347	450	20.4	45		
---	DRII0551CT	DRII0551C	---	DRII0551C24	---	5000	480	450	20.4	45		
---	DRII0553CT*	DRII0553C*	---	DRII0553C24*	---	5000	480	450	20.4	45		
---	DRII0561CT	DRII0561C	---	DRII0561C24	---	5000	600	450	20.4	45		
---	DRII0563CT*	DRII0563C*	---	DRII0563C24*	---	5000	600	450	20.4	45		
---	DRII0781CT	DRII0781C	---	DRII0781C24	---	7500	208	700	20.4	45		
---	DRII0783CT*	DRII0783C*	---	DRII0783C24*	---	7500	208	700	20.4	45		
---	DRII0721CT	DRII0721C	---	DRII0721C24	---	7500	240	700	20.4	45		
---	DRII0771CT	DRII0771C	---	DRII0771C24	---	7500	277	700	20.4	45		
---	DRII0731CT	DRII0731C	---	DRII0731C24	---	7500	347	700	20.4	45		
---	DRII0751CT	DRII0751C	---	DRII0751C24	---	7500	480	700	20.4	45		
---	DRII0753CT*	DRII0753C*	---	DRII0753C24*	---	7500	480	700	20.4	45		
---	DRII0761CT	DRII0761C	---	DRII0761C24	---	7500	600	700	20.4	45		
---	DRII0763CT*	DRII0763C*	---	DRII0763C24*	---	7500	600	700	20.4	45		
---	DRII1081CT	DRII1081C	---	DRII1081C24	---	10000	208	700	20.4	45		
---	DRII1083CT*	DRII1083C*	---	DRII1083C24*	---	10000	208	700	20.4	45		
---	DRII1021CT	DRII1021C	---	DRII1021C24	---	10000	240	700	20.4	45		
---	DRII1071CT	DRII1071C	---	DRII1071C24	---	10000	277	700	20.4	45		
---	DRII1031CT	DRII1031C	---	DRII1031C24	---	10000	347	700	20.4	45		
---	DRII1051CT	DRII1051C	---	DRII1051C24	---	10000	480	700	20.4	45		
---	DRII1053CT*	DRII1053C*	---	DRII1053C24*	---	10000	480	700	20.4	45		
---	DRII1061CT	DRII1061C	---	DRII1061C24	---	10000	600	700	20.4	45		
---	DRII1063CT*	DRII1063C*	---	DRII1063C24*	---	10000	600	700	20.4	45		

Add W for white or SW for silica white Add OFS to control fan-only mode with a wall switch (not provided)

\*Three-phase unit

--- not available

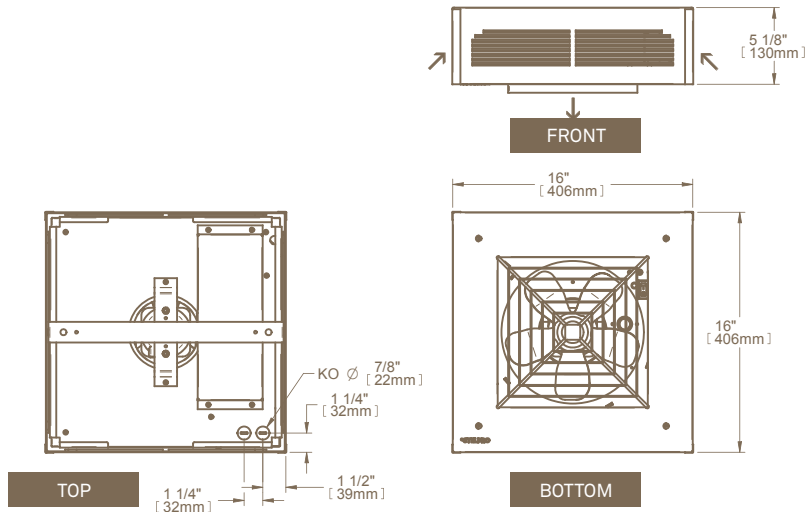
## THROW DISTANCE AND HEAT RISE

MODEL	UNITS	THROW DISTANCE		HEAT RISE	
		M	FT.	°C	°F
DRI	2	7	23	22	40
DRI	3	7	23	25	45
DRI	4	7	23	33	60
DRI	5	7	23	40	72
DRII	2	7	23	21	38
DRII	3	7	23	31	56
DRII	4	7	23	41	74
DRII	5	7	23	44	79
DRII	7.5	9.1	30	42	76
DRII	10	9.1	30	59	106
DRR	2	7	23	16	29
DRR	3	7	23	18	32
DRR	4	7	23	30	53
DRR	5	7	23	38	68

# TECHNICAL DRAWINGS

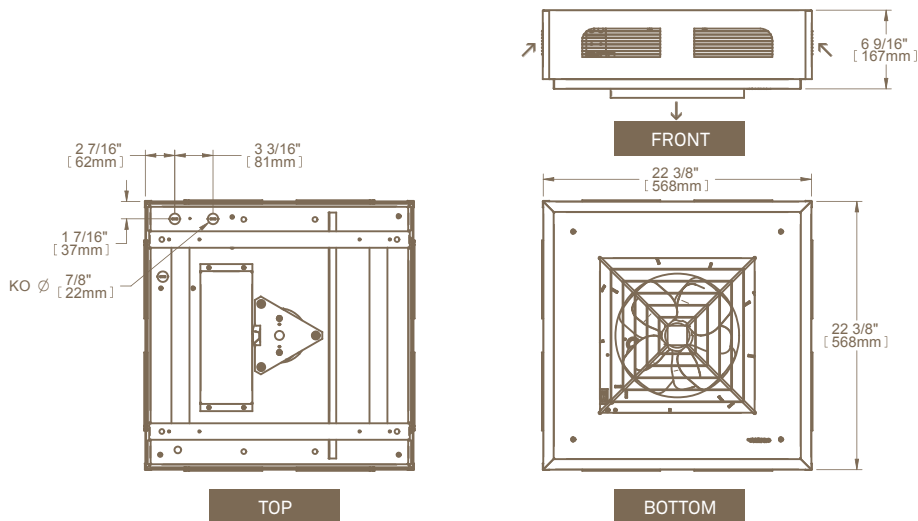
## DRI MODEL

surface mounted



## DR11 MODEL

surface mounted



## DRR MODEL

recessed

