

°STELPRO

HIGH-END CONVECTOR

SOR SERIES

PATENTS PENDING

ORLÉANS™

INNOVATION TO MAXIMIZE YOUR COMFORT

°STELPRO has reinvented the convector with the new ORLÉANS™ high-end convector. With its unique design, the ORLÉANS™ offers a faster temperature rise than any other convector on the market, ensuring optimal comfort in no time at all. The optional built-in thermostat is equipped with the ZigBee protocol, so it can be connected to the smart home. In addition, the convector is available in optional colours exclusive to °STELPRO, colours that will enhance even the most simple decor. Energy efficiency, connectivity, adjusted profile and a wide variety of models, the ORLÉANS™ is now the benchmark for high-end convectors.



30% SLIMMER CONVECTOR*

STYLISH AND COMPACT DESIGN

OPTIMUM EFFICIENCY

TEMPERATURE RISE 25% FASTER*

BUILT-IN THERMOSTAT AVAILABLE (OPTIONAL)

READY FOR THE SMART HOME

QUICK AND EASY INSTALLATION

EXCLUSIVE BRACKET SYSTEM

NEW STYLISH WHITE SATIN FINISH

IDEAL FOR:

LIVING ROOMS, KITCHENS, BEDROOMS, OFFICES, HALLWAYS, BASEMENTS, BUSINESSES, WAITING ROOMS, CONFERENCE ROOMS

COLOURS

– standard: white, soft white

FINISH

epoxy-polyester powdercoat

MANUFACTURING

- 20-gauge steel cabinet and front
- aluminum grille and front of sides
- bottom air intake and top air discharge
- the cabinet height improves the chimney effect
- safe, rounded corners
- easy access to controls
- thermal protection with automatic reset

ELEMENT

aluminum extrusion, X-shaped one-piece to generate maximum heat

CONTROL

- built-in thermostat equipped with the ZigBee protocol
- consumption indicator going from green or red depending on the required set temperature
- open window detector

INSTALLATION

- surface
- wall mounted at least 4 in. from the floor
- innovative mounting bracket facilitating height adjustment

* Compared to similar convectors. Heat rise tested in laboratory.

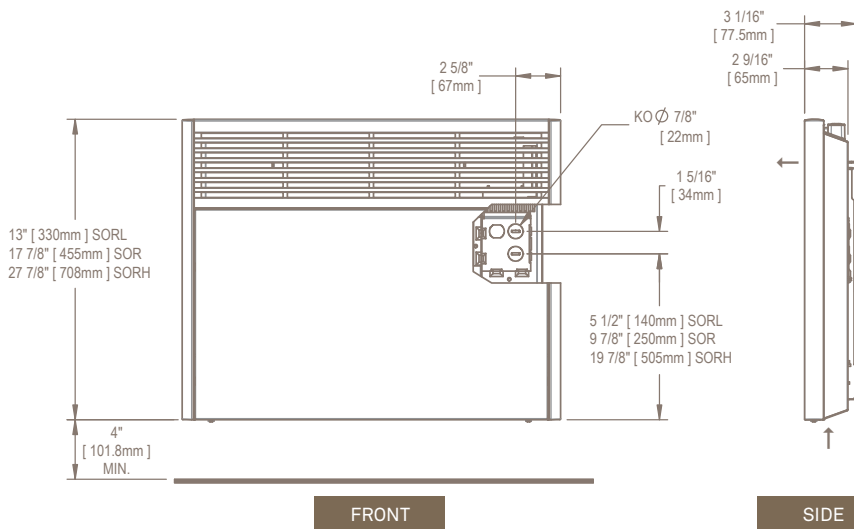


TECHNICAL SPECIFICATIONS

BUILT-IN THERMOSTAT		WITHOUT THERMOSTAT		POWER	VOLTAGE	LENGTH		WEIGHT	
CODE		CODE		WATTS	VOLTS	MM	IN.	KG	LB
HIGH MODEL - height of 27 7/8 in. (708 mm)									
SORH1002		SORH1002WC		1000/750	240/208	457	18	6.8	15
SORH1502		SORH1502WC		1500/1125	240/208	623	24 1/2	8.8	19.4
SORH2002		SORH2002WC		2000/1500	240/208	768	30 1/4	10.5	23.2
LOW MODEL - height of 13 in. (330 mm)									
SORL1002		SORL1002WC		1000/750	240/208	750	29 1/2	5.2	11.5
SORL1502		SORL1502WC		1500/1125	240/208	1113	38 7/8	6.9	15.2
SORL2002		SORL2002WC		2000/1500	240/208	1276	50 1/4	8.3	18.3
STANDARD MODEL - height of 17 7/8 in. (455 mm)									
SOR0502		SOR0502WC		500/375	240/208	457	18	4.8	10.7
SOR1002		SOR1002WC		1000/750	240/208	597	23 1/2	6	13.2
SOR1502		SOR1502WC		1500/1125	240/208	743	29 1/4	7.2	15.9
SOR2002		SOR2002WC		2000/1500	240/208	895	35 1/4	9.7	21.4

Add W for white or SW for soft white
Thermostat included except WC = without control.

TECHNICAL DRAWINGS



CONTROL



BUILT-IN ELECTRONIC THERMOSTAT READY FOR THE SMART HOME (OPTIONAL)

CONTROL THE TEMPERATURE FROM YOUR SMARTPHONE, TABLET AND COMPUTER



ZigBee
COMPATIBLE
CONTROLLER

