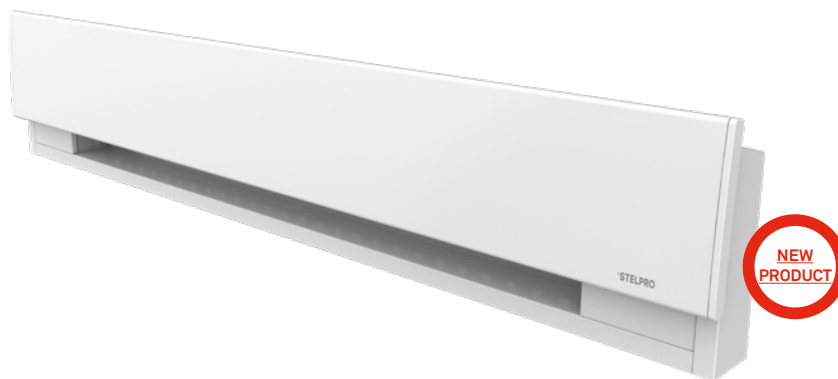


SPR | PRIMA™

HIGH-END COMPACT BASEBOARD



PRIMA™

ELEGANCE, DISCRETION AND EFFICIENCY

The Prima electric baseboard has a distinctive compact format that adapts to various applications without compromising on performance. Thanks to its safe and innovative housing design with concealed elements, it's easy to clean and maintain. Sleek and elegant, Prima adds a modern touch to any room.

COMPACT AND EFFICIENT

UP TO 25% SHORTER THAN A TRADITIONAL BASEBOARD

SAFER HOUSING

6 MM (1/4 IN.) OPENINGS BLOCK ACCESS TO ELEMENTS

IMPACT RESISTANT

REINFORCED FRONT PANEL

FAST AND EASY INSTALLATION

GUIDE MARKS TO FACILITATE MOUNTING TO WALL

EASY TO CLEAN

TWO-CLICK REMOVABLE FRONT PANEL



ULTRA PRECISE ELECTRONIC THERMOSTAT (OPTIONAL)

IDEAL FOR:

living room, dining room, kitchen, bedroom, office

COLOURS

- **standard:** white

FINISH

- epoxy-polyester powdercoat

MANUFACTURING

- 22-gauge annealed galvanized steel housing and 20-gauge one-piece front panel that can support 99.8 kg (220 lbs) at the centre
- full-length thermal protection with automatic reset
- discreet air inlet; air exits from the top for maximum air circulation
- full-length wireway

ELEMENT

- single tubular, stainless steel sheathed element with boxed aluminum fins for improved heat dissipation; the element is securely fastened at its centre, floating in nylon sleeves at each end, eliminating expansion and contraction noises during heat cycles

CONTROL

- wall thermostat (not included) – use of a Stelpro electronic thermostat is strongly recommended
- built-in single pole electronic thermostat that can be installed in the right or left junction box (optional)
- low voltage relay kit and disconnect switch (optional)

INSTALLATION

- surface mounted
- connection compartment at each end
- BX and clamp knockouts for the NMD cables located at each end, at the back and under the unit
- oblong mounting holes at 1-inch intervals (top and bottom) and marks every 8 inches to locate studs

WARRANTY

- five years, *three years on electronic components and lifetime warranty on heating element (for original owner)

°STELPRO



TECHNICAL SPECIFICATIONS

325 W DENSITY PER LINEAR FOOT*		275 W DENSITY PER LINEAR FOOT*		TENSION	TOTAL LENGTH		WALL LENGTH		WEIGHT	
CODE	WATTS	CODE	WATTS	VOLTS	MM	IN.	MM	IN.	KG	LB
SPR0501	500	SPRM0371	375	120	566	22 1/4	556	21 7/8	2.6	5.7
SPR0508	500	SPRM0378	375	208	566	22 1/4	556	21 7/8	2.6	5.7
SPR0502	500/375	SPRM0372	375/280	240/208	566	22 1/4	556	21 7/8	2.6	5.7
SPR0503	500	---	---	347	566	22 1/4	556	21 7/8	2.6	5.7
SPR1001	1000	SPRM0751	750	120	916	36 1/16	906	35 11/16	3.5	7.7
SPR1008	1000	SPRM0758	750	208	916	36 1/16	906	35 11/16	3.5	7.7
SPR1002	1000/750	SPRM0752	750/560	240/208	916	36 1/16	906	35 11/16	3.5	7.7
SPR1003	1000	SPRM0753	750	347	916	36 1/16	906	35 11/16	3.5	7.7
SPR1501	1500	SPRM1251	1250	120	1267	49 7/8	1257	49 1/2	4.4	9.7
SPR1508	1500	SPRM1258	1250	208	1267	49 7/8	1257	49 1/2	4.4	9.7
SPR1502	1500/1125	SPRM1252	1250/940	240/208	1267	49 7/8	1257	49 1/2	4.4	9.7
SPR1503	1500	SPRM1253	1250	347	1267	49 7/8	1257	49 1/2	4.4	9.7
---	---	---	---	120	---	---	---	---	---	---
SPR2008	2000	SPRM1758	1750	208	1618	63 11/16	1608	63 5/16	5.3	11.7
SPR2002	2000/1500	SPRM1752	1750/1315	240/208	1618	63 11/16	1608	63 5/16	5.3	11.7
SPR2003	2000	SPRM1753	1750	347	1618	63 11/16	1608	63 5/16	5.3	11.7

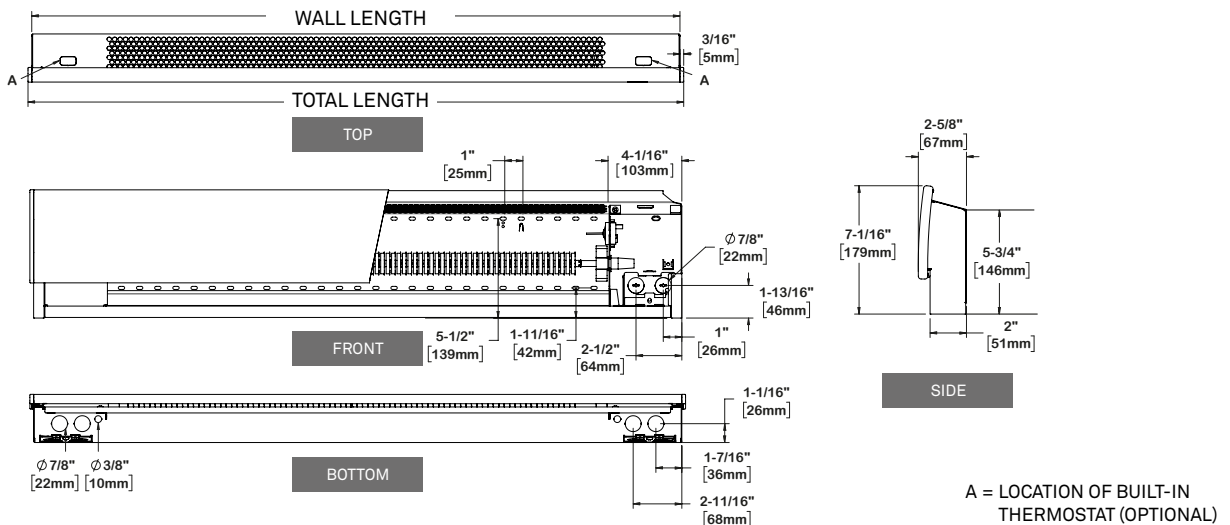
Add W for white
 *Densities are averages.
 --- not available

ACCESSORIES

PRODUCT	DESCRIPTION
SIBTE12C	built-in electronic thermostat – Celsius [120 V-240 V]
SPRRE153*	built-in electronic low voltage relay [15 A @ 120 V-347 V]
SPRRE153T*	built-in electronic low voltage relay with 24 V transformer [15 A @ 208 V-347 V]
SPRRM120T*	built-in electromechanical relay with 24 V transformer [6000 W @ 120 V]
SPRRM240T*	built-in electromechanical relay with 24 V transformer [6000 W @ 240 V and 5200 W @ 208 V]
SPRRM347T*	built-in electromechanical relay with 24 V transformer [6000 W @ 347 V]
SPRRM347C*	built-in electromechanical relay without 24 V transformer [6000 W @ 120 V-347 V]

Electronic relays can receive a PWM (pulsed width modulation) or all-or-nothing (on/off) signal.
 *Factory installation only

TECHNICAL DRAWINGS





DISCOVER OUR RANGE OF COLOURS

ORORA



TURQUOISE



MOSS GREEN



RED



DENIM BLUE



CHARCOAL



ORANGE



