

DR | DRAGON™

CEILING FAN HEATER



THE AUTHENTIC DRAGON!

The hallmark of the Dragon is that it recycles residual warm air that has accumulated at the ceiling, mixing it with the cooler air below. The result? Uniform air temperature and energy savings. The Dragon offers an output of 2000 W to 10000 W, depending on the model, and offers voltages ranging from 208 V to 600 V. This unit can be ceiling surface mounted or ceiling recessed, suspended at a minimum of 8 feet from the floor. The Dragon is well suited for building entryways, stairwells, warehouses, garages, workshops and hallways. Nothing beats the power of the Dragon!

FAST TEMPERATURE RISE VIA HEAT RECOVERY

CHOICE OF 2000 W TO 10000 W

STATE-OF-THE ART EFFICIENCY NICHROME ELEMENT

SURFACE MOUNTED OR RECESSED INSTALLATION

OPTIONAL OFS MODEL TO CONTROL FAN-ONLY MODE WITH WALL SWITCH

IDEAL FOR:

building entryway, warehouse, stairwell, garage, workshop

COLOURS

- **standard:** white, soft white

FINISH

- epoxy-polyester powdercoat

MANUFACTURING

- 20-gauge steel cabinet and 14-gauge steel grille
- quiet helicoidal fan
- thermal protection with automatic reset
- totally enclosed, permanently lubricated motor

ELEMENT

- nichrome element produces instant heat

CONTROL

- wall thermostat (not included) – the use of an electronic thermostat is strongly recommended (up to 4000 W)
- fan-only mode for continuous air circulation, controlled by built-in selection switch

- fan-only mode available for use with wall mounted switch (optional OFS model, wall switch not provided)
- heating mode, confirmed by pilot light when heating is on
- connection of multiple units to the same thermostat is possible with a relay kit without a transformer (optional) and an external transformer (not provided)

INSTALLATION

- ceiling recessed in a T-bar (DRR model)
- ceiling surface mounted with bracket to support unit during wiring (DRI and DRII models) (included)
- install at a minimum distance from adjacent or surrounding walls: 12 in. (DRR or DRI models); 24 in. (DRII models)
- mounting heights: 8 ft. (2 kW or 3 kW units); 10 ft. (4 kW or 5 kW units); 12 ft. (7.5 kW or 10 kW units)

WARRANTY

- three years

TECHNICAL SPECIFICATIONS

DRI AND DRII MODELS (SURFACE MOUNTED INSTALLATION)

WITHOUT CONTROL		BUILT-IN THERMOSTAT		240 V CONTROL		24 V CONTROL		POWER	VOLTAGE	FLOW	WEIGHT	
CODE		CODE		CODE		CODE		WATTS	VOLTS	CFM	KG	LB
DRI0281		DRI0281T		---		DRI0281C24		2000	208	250	7.2	16
DRI0221		DRI0221T		---		DRI0221C24		2000	240	250	7.2	16
DRI0381		DRI0381T		---		DRI0381C24		3000	208	250	7.2	16
DRI0321		DRI0321T		---		DRI0321C24		3000	240	250	7.2	16
DRI0481		DRI0481T		---		DRI0481C24		4000	208	450	7.2	16
DRI0421		DRI0421T		---		DRI0421C24		4000	240	450	7.2	16
---		DRI0581T		---		DRI0581C24		5000	208	450	7.2	16
DRI0521		DRI0521T		---		DRI0521C24		5000	240	450	7.2	16
---		DRII0281T		DRII0281C		DRII0281C24		2000	208	450	20.4	45
---		DRII0283CT*		DRII0283C*		DRII0283C24*		2000	208	450	20.4	45
---		DRII0221T		DRII0221C		DRII0221C24		2000	240	450	20.4	45
---		DRII0231CT		DRII0231C		DRII0231C24		2000	347	450	20.4	45
---		DRII0261CT		DRII0261C		DRII0261C24		2000	600	450	20.4	45
---		DRII0263CT*		DRII0263C*		DRII0263C24*		2000	600	450	20.4	45
---		DRII0381T		DRII0381C		DRII0381C24		3000	208	450	20.4	45
---		DRII0383CT*		DRII0383C*		DRII0383C24*		3000	208	450	20.4	45
---		DRII0321T		DRII0321C		DRII0321C24		3000	240	450	20.4	45
---		DRII0331CT		DRII0331C		DRII0331C24		3000	347	450	20.4	45
---		DRII0361CT		DRII0361C		DRII0361C24		3000	600	450	20.4	45
---		DRII0363CT*		DRII0363C*		DRII0363C24*		3000	600	450	20.4	45
---		DRII0481T		DRII0481C		DRII0481C24		4000	208	450	20.4	45
---		DRII0483CT*		DRII0483C*		DRII0483C24*		4000	208	450	20.4	45
---		DRII0421T		DRII0421C		DRII0421C24		4000	240	450	20.4	45
---		DRII0431CT		DRII0431C		DRII0431C24		4000	347	450	20.4	45
---		DRII0461CT		DRII0461C		DRII0461C24		4000	600	450	20.4	45
---		DRII0463CT*		DRII0463C*		DRII0463C24*		4000	600	450	20.4	45
---		DRII0581T		DRII0581C		DRII0581C24		5000	208	450	20.4	45
---		DRII0583CT*		DRII0583C*		DRII0583C24*		5000	208	450	20.4	45
---		DRII0521T		DRII0521C		DRII0521C24		5000	240	450	20.4	45
---		DRII0531CT		DRII0531C		DRII0531C24		5000	347	450	20.4	45
---		DRII0561CT		DRII0561C		DRII0561C24		5000	600	450	20.4	45
---		DRII0563CT*		DRII0563C*		DRII0563C24*		5000	600	450	20.4	45
---		DRII0781CT		DRII0781C		DRII0781C24		7500	208	700	20.4	45
---		DRII0783CT*		DRII0783C*		DRII0783C24*		7500	208	700	20.4	45
---		DRII0721CT		DRII0721C		DRII0721C24		7500	240	700	20.4	45
---		DRII0731CT		DRII0731C		DRII0731C24		7500	347	700	20.4	45
---		DRII0761CT		DRII0761C		DRII0761C24		7500	600	700	20.4	45
---		DRII0763CT*		DRII0763C*		DRII0763C24*		7500	600	700	20.4	45
---		DRII1081CT		DRII1081C		DRII1081C24		10000	208	700	20.4	45
---		DRII1083CT*		DRII1083C*		DRII1083C24*		10000	208	700	20.4	45
---		DRII1021CT		DRII1021C		DRII1021C24		10000	240	700	20.4	45
---		DRII1031CT		DRII1031C		DRII1031C24		10000	347	700	20.4	45
---		DRII1061CT		DRII1061C		DRII1061C24		10000	600	700	20.4	45
---		DRII1063CT*		DRII1063C*		DRII1063C24*		10000	600	700	20.4	45

Add W for white or SW for soft white
 Add OFS to control fan-only mode with a wall switch (not provided).
 *Three-phase unit

TECHNICAL SPECIFICATIONS

DRR MODELS (RECESSED INSTALLATION)

WITHOUT CONTROL		BUILT-IN THERMOSTAT		240 V CONTROL		24 V CONTROL		POWER	VOLTAGE	FLOW	WEIGHT	
CODE		CODE		CODE		CODE		WATTS	VOLTS	CFM	KG	LB
DRR0281		DRR0281T		DRR0281C		DRR0281C24		2000	208	250	13.6	30
---		DRR0283CT*		DRR0283C*		DRR0283C24*		2000	208	250	13.6	30
DRR0221		DRR0221T		DRR0221C		DRR0221C24		2000	240	250	13.6	30
---		DRR0231CT		DRR0231C		DRR0231C24		2000	347	250	13.6	30
---		DRR0261CT		DRR0261C		DRR0261C24		2000	600	250	13.6	30
---		DRR0263CT*		DRR0263C*		DRR0263C24*		2000	600	250	13.6	30
DRR0381		DRR0381T		DRR0381C		DRR0381C24		3000	208	250	14.7	32.5
---		DRR0383CT*		DRR0383C*		DRR0383C24*		3000	208	250	14.7	32.5
DRR0321		DRR0321T		DRR0321C		DRR0321C24		3000	240	250	14.7	32.5
---		DRR0331CT		DRR0331C		DRR0331C24		3000	347	250	14.7	32.5
---		DRR0361CT		DRR0361C		DRR0361C24		3000	600	250	14.7	32.5
---		DRR0363CT*		DRR0363C*		DRR0363C24*		3000	600	250	14.7	32.5
DRR0481		DRR0481T		DRR0481C		DRR0481C24		4000	208	450	14.7	32.5
---		DRR0483CT*		DRR0483C*		DRR0483C24*		4000	208	450	14.7	32.5
DRR0421		DRR0421T		DRR0421C		DRR0421C24		4000	240	450	14.7	32.5
---		DRR0431CT		DRR0431C		DRR0431C24		4000	347	450	14.7	32.5
---		DRR0461CT		DRR0461C		DRR0461C24		4000	600	450	14.7	32.5
---		DRR0463CT*		DRR0463C*		DRR0463C24*		4000	600	450	14.7	32.5
---		DRR0581T		DRR0581C		DRR0581C24		5000	208	450	15.4	34
---		DRR0583CT*		DRR0583C*		DRR0583C24*		5000	208	450	15.4	34
DRR0521		DRR0521T		DRR0521C		DRR0521C24		5000	240	450	15.4	34
---		DRR0531CT		DRR0531C		DRR0531C24		5000	347	450	15.4	34
---		DRR0561CT		DRR0561C		DRR0561C24		5000	600	450	15.4	34
---		DRR0563CT*		DRR0563C*		DRR0563C24*		5000	600	450	15.4	34

Add W for white or SW for soft white Add OFS to control fan-only mode with a wall switch (not provided).
 *Three-phase unit



DRR MODEL (RECESSED)

A REVOLUTIONARY METHOD OF HEATING, THAT ELIMINATES THE NEED FOR A TRADITIONAL CEILING FAN. The Dragon recuperates the warm air that would otherwise accumulate at the ceiling and recirculates it throughout the room.



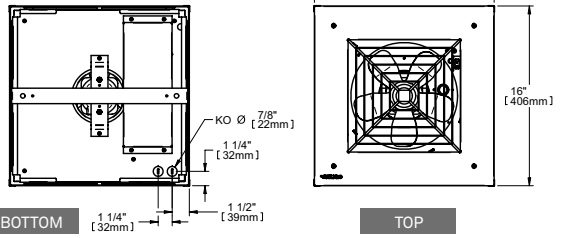
DRRI MODEL (SURFACE MOUNTED)

(PREVIOUS PAGE)

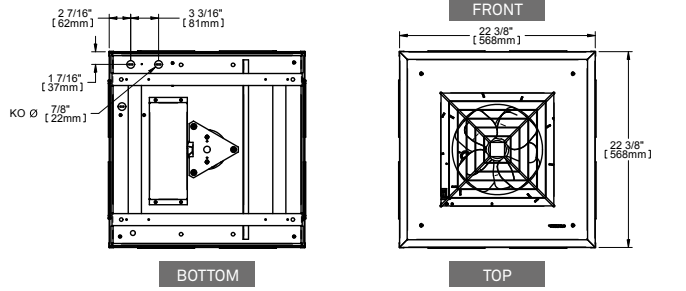
A UNIQUE SOURCE OF HEAT THAT OFFERS PERFORMANCE, STYLE, COMFORT AND ECONOMY! Ideal for garages, commercial entrances, factories and warehouses

TECHNICAL DRAWINGS

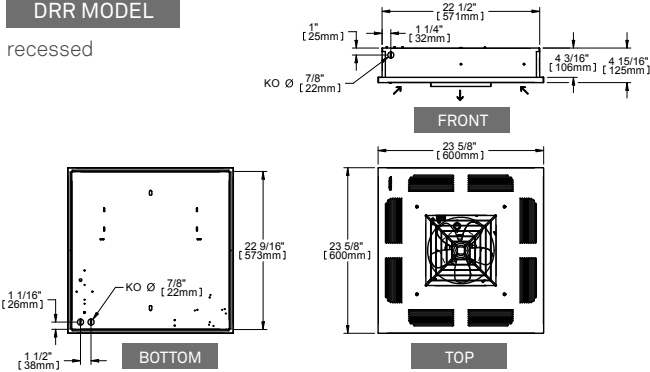
DRI MODEL surface mounted



DRII MODEL surface mounted



DRR MODEL recessed



ACCESSORIES

PRODUCT	DESCRIPTION
DRT1	built-in tamper-proof single pole thermostat (DRR, DRI or DRII models)
DRITBA1*	T-bar adapter (DRI models)
DRIITBA1*	T-bar adapter (DRII models)
DRC24RX*	relay kit without transformer 24 V (DRII or DRR models)
DRIC24RX*	relay kit without transformer 24 V (DRI models)

* Add W for white or SW for soft white.
* Factory installed

THROW DISTANCE AND HEAT RISE

MODEL	UNITS	THROW DISTANCE		HEAT RISE	
		M	FT	°C	°F
DRI	2	7	23	22	40
DRI	3	7	23	25	45
DRI	4	7	23	33	60
DRI	5	7	23	40	72
DRII	2	7	23	21	38
DRII	3	7	23	31	56
DRII	4	7	23	41	74
DRII	5	7	23	44	79
DRII	7.5	9.1	30	42	76
DRII	10	9.1	30	59	106
DRR	2	7	23	16	29
DRR	3	7	23	18	32
DRR	4	7	23	30	53
DRR	5	7	23	38	68