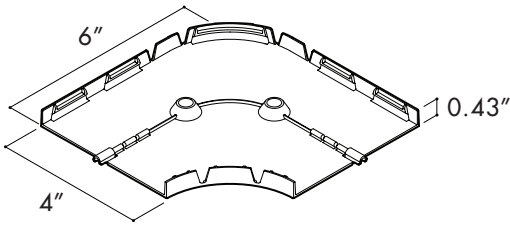


OPTIONAL ACCESSORIES

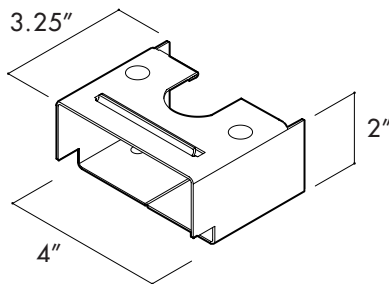


90° CORNER KIT

Allows Wireway to make a 90° turn.

Part Number:
CT.XP-AC-C90

Description:
EXPRESS under carpet CORNER.
90 degree complete kit

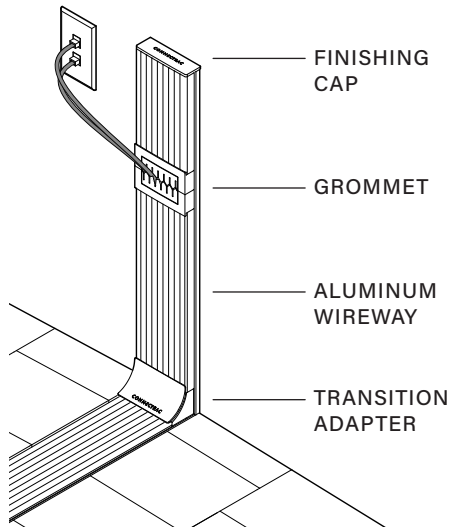


ROUGH-IN FRAME

Installed before drywall to provide a rough opening for cabling.

Part Number:
CT.AC-RIF.1

Description:
Rough-In Frame

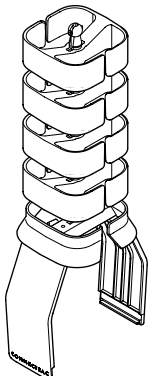


WALL CHANNEL KIT

The Wall Channel Kit comes in two sizes (2' 12') and is used when power/data cabling is running outside the wall. The 2' Wall Channel Kit is designed to connect to an existing wall outlet box, while the 12' Wall Channel Kit is designed for running conduit up the wall to connect to a junction box. Both sizes can be cut to size in the field.

Part Number:
CT.XP-AC-WT-02-SV
CT.XP-AC-WT-12-SV

Description:
2' Wall Channel Kit
12' Wall Channel Kit

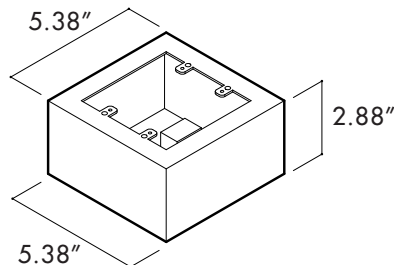


VERTICAL WIRE MANAGER

Attaches to any power or data device to manage cabling.

Part Number:
CT.AC-WMV.1-DG

Description:
Vertical Wire Manager



A/V DEVICE

Holds any standard double-gang faceplate.

Part Number:
CT.C.DT3.1-DG

Description:
A/V Device